

Conductive Plastic Angle Sensor

CPP-60 Series

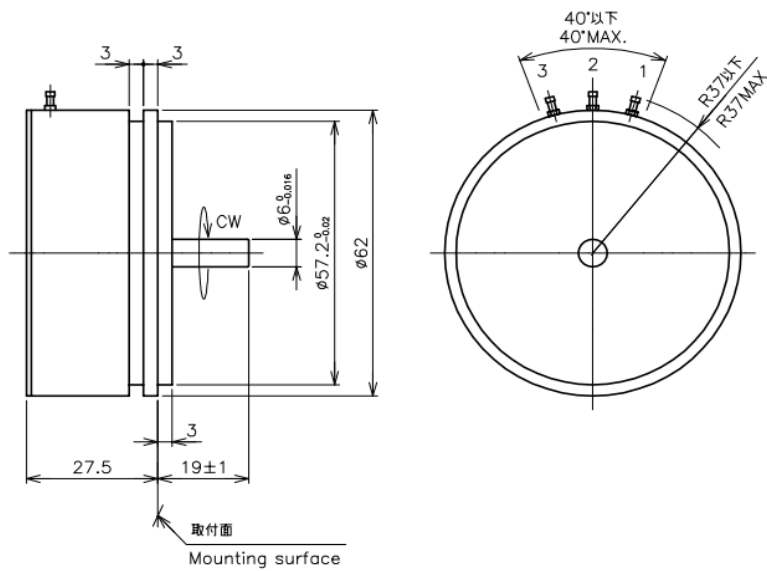


- Conductive Plastic Angle Sensor
- Effective Electrical Travel : 355°
- Independent Linearity : ±0.05% (Special Linearity: ±0.03%)
- Servo Mount

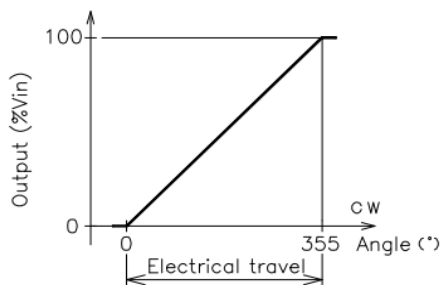
【Material】

- Housing : Aluminum
- Shaft : Stainless Steel
- Bearing : Stainless steel

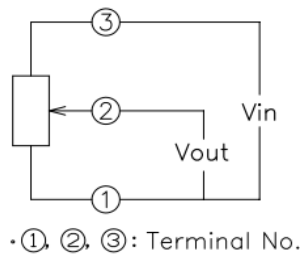
Dimension [mm]



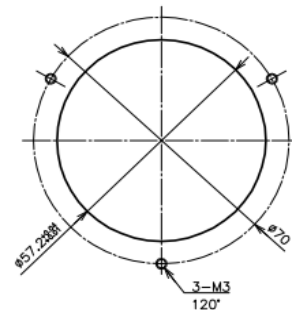
Output Characteristics



Schematic



Mounting



Servo Mount

MIDORI MIDORI PRECISIONS
 URL: <http://www.midori.co.jp>
 E-mail: overseas@midori.co.jp

2012/12

【Model No.】	CPP-60
--------------------	--------

【Electrical Specifications】

Effective Electrical Travel	355 +1, -2	°
Total Resistance	0.5, 1, 2, 5, 10, 20	kΩ
Total Resistance Tolerance	±15	%
Independent Linearity	±0.05 (Special Linearity ±0.03%)	%
Rated Dissipation	3/70°C	W
Output Smoothness	MAX. 0.1	%
Insulation Resistance	MIN. 100/DC1000V	MΩ
Dielectric Strength	AC1000/1 Minute	V
Temperature Coefficient of Resistance	±400	ppm/K

【Mechanical Specifications】

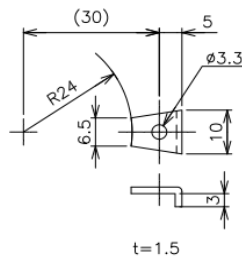
Total Mechanical Travel	360 Endless	°
Torque	MAX. 25	mN·m
Thrust Load Tolerance	2	N
Radial Load Tolerance	4	N
Mass	Approx. 170	g

【Environmental Specifications】

Life Cycles	10 Million	Cycle
Category Temperature Range	-40 - +120	°C
Storage Temperature Range	-40 - +120	°C
Vibration	150m/s ² 2000Hz 3 axis 2 hours each	
Shock	500m/s ² 11ms 6 directions 3 times	

■ Accessories

Mounting Cleats : 3 pieces

**■ Handling Instruction**

- To avoid burnout of resistive element, do not supply more than 1mA current to terminal 2.
- Miswiring might cause burnout of resistive element.
- To reduce sliding noise, add load resistance should be more than 100times and less than 1000times of total resistance.
- Slight continuous vibration such as dither might cause short lifetime of the sensor.

Headquarter Switzerland:
Pewatron AG
Thurgauerstrasse 66
CH-8050 Zurich
Phone +41 44 877 35 00
info@pewatron.com

Office Germany:
Pewatron Deutschland GmbH
Edisonstraße 16
D-85716 Unterschleißheim
Phone +49 89 374 288 87-0
info.de@pewatron.com



PEWATRON
SENSORS · POWER SOLUTIONS

We are here for you. Addresses and Contacts.

Sales Germany & Austria

Postcode 00000 – 31999
Postcode 38000 – 39999
Postcode 80000 – 99999
Austria

Kurt Stritzelberger

Phone +49 89 260 52 80
Mobile +49 171 803 41 35

kurt.stritzelberger@pewatron.com

Postcode 32000 – 37999
Postcode 40000 – 79999

Gerhard Vetter

Phone +49 674 394 75 75
Mobile +49 163 762 74 30

gerhard.vetter@pewatron.com

Geometrical sensors
Sensor elements

Thorsten Ravagni

Phone +49 60 479 53 627

thorsten.ravagni@pewatron.com

Sales Switzerland & Liechtenstein

Postcode 3000 – 9999

Basil Frei

Phone +41 44 877 35 18
Mobile +41 76 279 37 26

basil.frei@pewatron.com

Postcode 1000 – 2999

Christian Mohrenstecher

Mobile +41 76 444 57 93

christian.mohrenstecher@pewatron.com

Sales International Key Accounts

Peter Felder

Phone +41 44 877 35 05
Mobile +41 79 406 49 83

peter.felder@pewatron.com

Sales Other Countries / Product Management

Pressure Sensors

Philipp Kistler
Phone +41 44 877 35 03
philipp.kistler@pewatron.com

Accelerometers / Level Flow sensor elements

Thorsten Ravagni
Phone +49 60 479 53 627
thorsten.ravagni@pewatron.com

Drive technology CH Postcode 5000 – 9999 / DE

Roman Homa
Mobile +41 76 444 00 86
roman.homa@pewatron.com

Gas sensors / Gas sensor modules Load cells

Dr. Thomas Clausen
Phone +41 44 877 35 13
thomas.clausen@pewatron.com

Power supplies

Sebastiano Leggio
Phone +41 44 877 35 06
sebastiano.leggio@pewatron.com

Drive technology CH Postcode 1000 – 4999 / AT / IT / FR

Christian Mohrenstecher
Mobile +41 76 444 57 93
christian.mohrenstecher@pewatron.com

Flow / Level / Medical products

Dr. Adriano Pittarelli
Phone +49 8245 774 95 44
adriano.pittarelli@pewatron.com

Linear position sensors Angle sensors

Eric Letsch
Phone +41 44 877 35 14
eric.letsch@pewatron.com

Current sensors Power solutions

Osman Coban
Phone +49 71 635 363 898
osman.coban@pewatron.com