

Battery less Multi-turn Absolute Encoder

Hollow shaft type **Model : 38HA-MS**

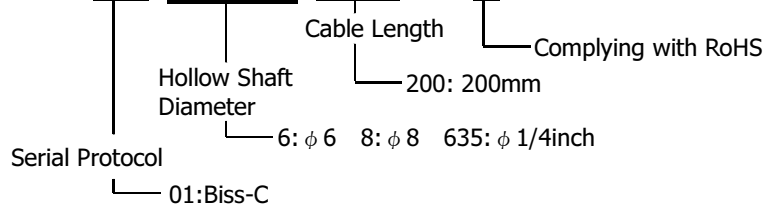
■ Features

- 39-bits resolution: 16-bits energy harvesting multi-turn & 23-bits optical single-turn
- Built-in communication protocol (option): BiSS C mode, SSI mode & RS-485 half-duplex
- Overall encoder outer diameter \varnothing 38 mm and maximum height of 40 mm
- Supporting 1/4 inch, 6mm and 8mm diameter of the blind hollow shaft



■ Model

38HA-MS01-□□□-200-00E



■ Specification

1. Basic specification

General		
Outside diameter	38mm	At housing
Height	40mm	
Bearing	With Bearing	
Shaft	Hollow shaft	
Shaft Diameter	1/4 inch, ϕ 6, ϕ 8	
Measuring Methods	Optical transparent / Absolute	
Electrical		
Single-turn Resolution	23bits (8,388,607 counts)	
Multi-turn Resolution	16bits (65,535 counts)	
Fault Status	8 bits	
CRC	8 bits	
DC Supply Voltage	5.0V \pm 10%	
Main Supply Current	Typical 115mA	Without load, Ta=+25°C
Electrically Permissible Speed	\leq 6,000min ⁻¹	
Output Communication	BiSS-C, SSI, RS-485 half duplex	
Output Code	Binary	

38HA-MS Series Datasheet

Mechanical		
System Accuracy	Typical ± 80 Arc-sec	With electrical correction, Ta=+25°C
Mechanical Permissible Speed	$\leq 6,000 \text{min}^{-1}$	
Shaft Radial Play	$\leq \pm 0.05 \text{ mm}$	
Shaft Axial Play	$\leq \pm 0.1 \text{ mm}$	
Environmental		
Operating Temperature Range	-20°C~105 °C	
Storage Temperature Range	-20°C ~105°C	
Vibration	$\leq 98 \text{m/s}^2$ 10 to2000Hz	Per IEC 60068-2-6
Shock	$\leq 1960 \text{m/s}^2$ 6ms; Half Sine	Per IEC 60068-2-27
Protection	IP50	
Relative Air Humidity (Non-Condensing)	RH 90 %	Ta=+40°C
Others		
Counting Direction	Increase with Counter Clockwise (CCW) shaft rotation, view from coupling end (Figure 1)	
Initialization Time	500 ms	
Output Connection	Refer to cable connection information	Approximate200mm (AWG28)

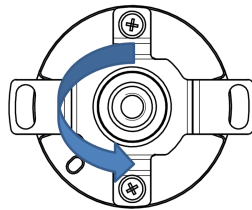


Figure 1

Note: 1. Exposure to absolute maximum rating conditions for extended periods may affect reliability.

Interface Diagram

The following are examples of the circuit diagram of full-duplex and half-duplex transceiver.

Full-duplex transceiver (BiSS C mode / SSI mode protocol):

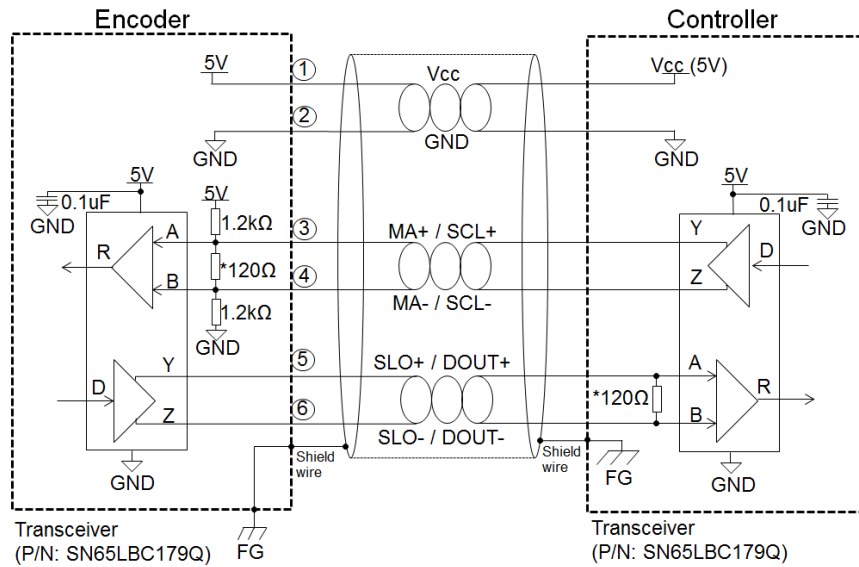


Figure 2: Circuit diagram of full-duplex transceiver

Half-duplex transceiver (RS-485 half-duplex protocol):

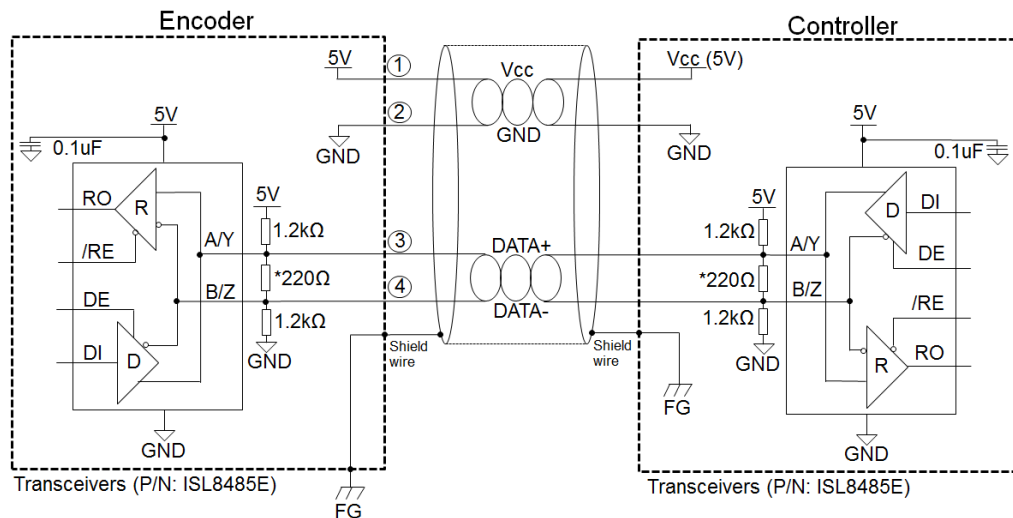


Figure 3: Circuit diagram of half-duplex transceiver

Note:

- 1) Termination resistor, *120ohm and *220ohm are recommended but may depends on the characteristic impedance of cable used.
- 2) Recommended to connect encoder chassis and cable shield to frame ground (FG) in application for enhanced noise immunity in harst operating condition.

38HA-MS Series Datasheet

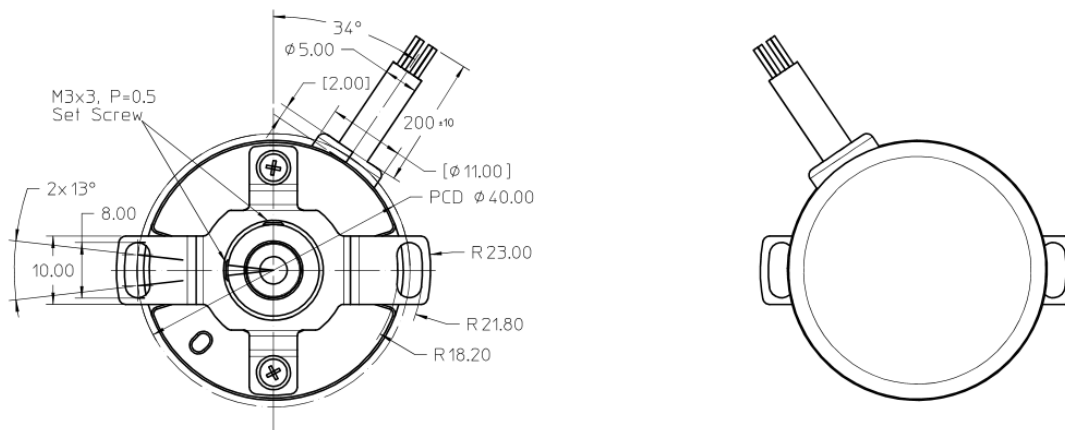
■ Cable Connection Information

No	Cable Color	BiSS C mode protocol (output: 7 core cable)	SSI mode protocol (output: 7 core cable)	RS-485 half-duplex protocol (output: 5 core cable)
1	RED	VCC, Positive Supply	VCC, Positive Supply	VCC, Positive Supply
2	BLACK	GND, Ground	GND, Ground	GND, Ground
3	BROWN	MA+	SCL+	DATA+
4	WHITE	MA-	SCL-	DATA-
5	ORANGE	SLO+	DOUT+	N/A
6	BLUE	SLO-	DOUT-	N/A
7	Cable Shield Strand	Cable Shield, Connect to Chassis	Cable Shield, Connect to Chassis	Cable Shield, Connect to Chassis

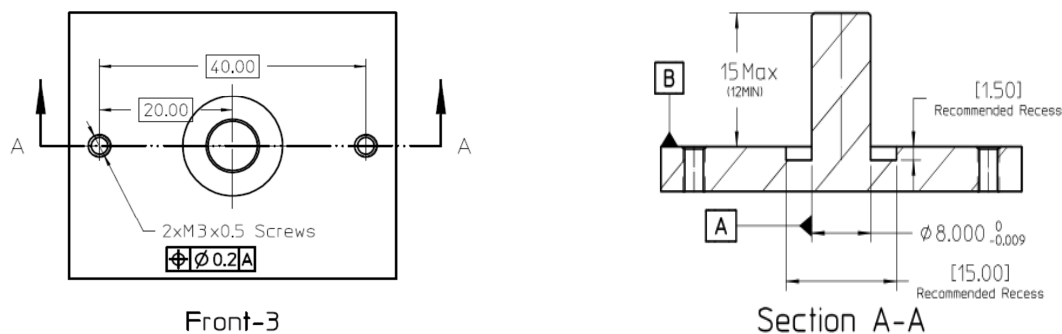
Note: Cable provided is 200mm +/- 10mm (included pigtail length) with AWG28.

■ Mechanical Drawing

Package Dimension



Recommended Shaft and Mounting Requirement



Note:

1. Dimensions are in millimeters
2. 3rd Angle Projection
3. Unless otherwise specified, all tolerances are within ± 0.5 mm
4. Recommended to have a recess on motor mounting surface to prevent encoder shaft interference with motor base.

38HA-MS Series Datasheet

■ Applications

- Robot and robotic engineering
- Factory automation
- Linear positioning system
- CNC machine tool
- Medical and lab equipment

NOTE

Broadcom encoders are not recommended for use in safety critical applications. E.g. ABS braking systems, power steering, life support systems and critical care medical equipment. Please contact sales representative if more clarification is needed.

Headquarter Switzerland:
Pewatron AG
Thurgauerstrasse 66
CH-8050 Zurich
Phone +41 44 877 35 00
info@pewatron.com

Office Germany:
Pewatron Deutschland GmbH
Edisonstraße 16
D-85716 Unterschleißheim
Phone +49 89 374 288 87 00
info.de@pewatron.com



PEWATRON
SENSORS · POWER SOLUTIONS

We are here for you. Addresses and Contacts.

Sales Germany & Austria

Geometrical sensors Other products

Kurt Stritzelberger
Phone +49 89 374 288 87 22
kurt.stritzelberger@pewatron.com

Pressure sensors Other products

Gerhard Vetter
Phone +49 89 374 288 87 26
gerhard.vetter@pewatron.com

Gas sensors and modules

Peter Felder
Phone +41 44 877 35 05
peter.felder@pewatron.com

Sales Switzerland & Liechtenstein

Postcode 3000 – 9999

Basil Frei
Phone +41 44 877 35 18
basil.frei@pewatron.com

Postcode 1000 – 2999

Christian Mohrenstecher
Phone +41 76 444 57 93
christian.mohrenstecher@pewatron.com

Sales International Key Accounts

Peter Felder
Phone +41 44 877 35 05
peter.felder@pewatron.com

Sales Other Countries / Product Management

Pressure Sensors Load Cells

Philipp Kistler
Phone +41 44 877 35 03
philipp.kistler@pewatron.com

Gas sensors Gas sensor modules

Dr. Thomas Clausen
Phone +41 44 877 35 13
thomas.clausen@pewatron.com

Flow / Level / Medical products

Dr. Adriano Pittarelli
Phone +49 89 374 288 87 67
adriano.pittarelli@pewatron.com

Power supplies

Sebastiano Leggio
Phone +41 44 877 35 06
sebastiano.leggio@pewatron.com

Linear position sensors Angle sensors

Eric Letsch
Phone +41 44 877 35 14
eric.letsch@pewatron.com

Accelerometers Sensor elements

Christoph Kleye
Phone +49 89 374 288 87 61
christoph.kleye@pewatron.com

Drive technology

CH Postcode 5000 – 9999 / DE

Roman Homa
Phone +41 76 444 00 86
roman.homa@pewatron.com

Drive technology

CH Postcode 1000 – 4999 / AT / IT / FR

Christian Mohrenstecher
Phone +41 76 444 57 93
christian.mohrenstecher@pewatron.com

Harald Thomas

Phone +49 89 374 288 87 23
harald.thomas@pewatron.com