

ABSOLUTE TYPE

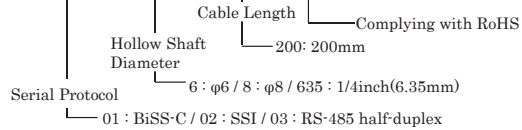
# 38HA-MS Series



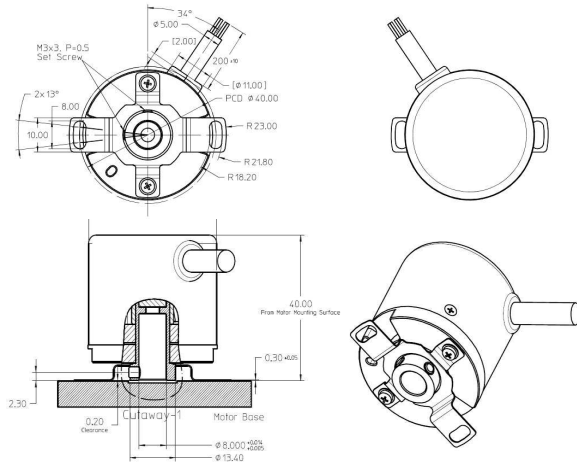
- Battery less
- 39bit Multi turn
- Housed encoder
- Hollow Shaft

## Model

**38HA-MS** □ □ □ □ □ **-200-00E**

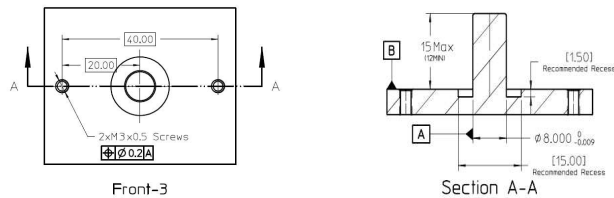


## Dimension



## Mounting

Example:φ8



## Electrical Spec.

Resolution	Multi turn: 16bit Single turn: 23bit
Current Consumption	115mA Typ. (No load)
Supply Voltage	5V ± 0.5V
Electrically Permissible Speed	< 6000 min <sup>-1</sup>
Initialization Time	< 500 ms

## Mechanical Spec.

System Accuracy (With electrical correction)	±80 Arc·sec ( T <sub>amb</sub> = 25°C)
Mechanical Permissible Speed	< 6000 min <sup>-1</sup>
Shaft Play	≤±0.05 mm(Radial) ≤±0.1 mm(Axial)
Starting torque	≤ 9.8x10 <sup>-3</sup> N·m T <sub>amb</sub> = 25°C
Weight	0.047 kg (±10%)

## Environmental Spec.

Storage Temperature	-20 to 105 °C
Operating Temperature	-20 to 105 °C
Relative Air Humidity (Non-Condensing)	90%RH (T <sub>amb</sub> = 40°C)
Vibration	10G; 10 to 2000Hz
Shock	6ms; Half Sine; 200G
Protection	IP50

## Connection

No	Cable Color	BiSS-C (7 core cable)	SSI (7 core cable)	RS-485 (5 core cable)
1	RED	VCC, Encoder Supply	VCC, Encoder Supply	VCC, Encoder Supply
2	BLACK	GND, Ground	GND, Ground	GND, Ground
3	BROWN	MA+	SCL+	DATA+
4	WHITE	MA-	SCL-	DATA-
5	ORANGE	SLO+	DOUT+	N/A
6	BLUE	SLO-	DOUT-	N/A
7	Cable Shield	Cable Shield	Cable Shield	Cable Shield

Note: Cable provided is 200mm +/- 10mm (included pigtail length) with AWG28.

## Data communication

BiSS-C / SSI		RS-485	
Interface	Circuit	Interface	Circuit
Serial Clock(MA)	Transceiver(P/N:SN65LBC179Q)	Serial Data(DATA+)	Transceiver(P/N:ISL8485E)
Serial Data(SLO)	Transceiver(P/N:SN65LBC179Q)	Serial Data(DATA-)	Transceiver(P/N:ISL8485E)

[Note]

Please contact our Sales for inquiries about this product of details.

Headquarter Switzerland:  
Pewatron AG  
Thurgauerstrasse 66  
CH-8050 Zurich  
Phone +41 44 877 35 00  
info@pewatron.com

Office Germany:  
Pewatron Deutschland GmbH  
Edisonstraße 16  
D-85716 Unterschleißheim  
Phone +49 89 374 288 87 00  
info.de@pewatron.com



**PEWATRON**  
SENSORS · POWER SOLUTIONS

## We are here for you. Addresses and Contacts.

### Sales Germany & Austria

#### Geometrical sensors Other products

Kurt Stritzelberger  
Phone +49 89 374 288 87 22  
kurt.stritzelberger@pewatron.com

#### Pressure sensors Other products

Gerhard Vetter  
Phone +49 89 374 288 87 26  
gerhard.vetter@pewatron.com

#### Gas sensors and modules

Peter Felder  
Phone +41 44 877 35 05  
peter.felder@pewatron.com

### Sales Switzerland & Liechtenstein

Postcode 3000 – 9999

Basil Frei  
Phone +41 44 877 35 18  
basil.frei@pewatron.com

Postcode 1000 – 2999

Christian Mohrenstecher  
Phone +41 76 444 57 93  
christian.mohrenstecher@pewatron.com

### Sales International Key Accounts

Peter Felder  
Phone +41 44 877 35 05  
peter.felder@pewatron.com

### Sales Other Countries / Product Management

#### Pressure Sensors Load Cells

Philipp Kistler  
Phone +41 44 877 35 03  
philipp.kistler@pewatron.com

#### Gas sensors Gas sensor modules

Dr. Thomas Clausen  
Phone +41 44 877 35 13  
thomas.clausen@pewatron.com

#### Flow / Level / Medical products

Dr. Adriano Pittarelli  
Phone +49 89 374 288 87 67  
adriano.pittarelli@pewatron.com

#### Power supplies

Sebastiano Leggio  
Phone +41 44 877 35 06  
sebastiano.leggio@pewatron.com

#### Linear position sensors Angle sensors

Eric Letsch  
Phone +41 44 877 35 14  
eric.letsch@pewatron.com

#### Drive technology CH Postcode 5000 – 9999 / DE

Roman Homa  
Phone +41 76 444 00 86  
roman.homa@pewatron.com

#### Drive technology CH Postcode 1000 – 4999 / AT / IT / FR

Christian Mohrenstecher  
Phone +41 76 444 57 93  
christian.mohrenstecher@pewatron.com

#### Accelerometers Sensor elements

Christoph Kleye  
Phone +49 89 374 288 87 61  
christoph.kleye@pewatron.com

Harald Thomas  
Phone +49 89 374 288 87 23  
harald.thomas@pewatron.com