



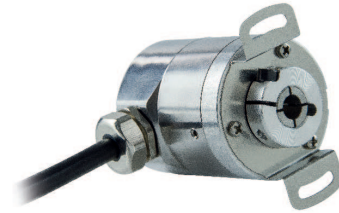
EAM 36 F / G SSI

BLIND HOLLOW SHAFT MAGNETIC MULTITURN ABSOLUTE ENCODER

MAIN FEATURES

Miniaturized multiturn absolute encoder for limited size applications.

- Magnetic sensor technology without contact (Magnetic ASIC + Energy Harvesting)
- Sturdy construction thanks to separated chambers
- Up to 51 bit as total resolution (12 bit single turn + 39 bit multiturn)
- Power supply up to +30 VDC with SSI as electronic interface
- Code reset for easy setup
- Cable output, connectors available on cable end
- 6 mm diameter blind hollow shaft
- Mounting by stator coupling or anti-rotation pin

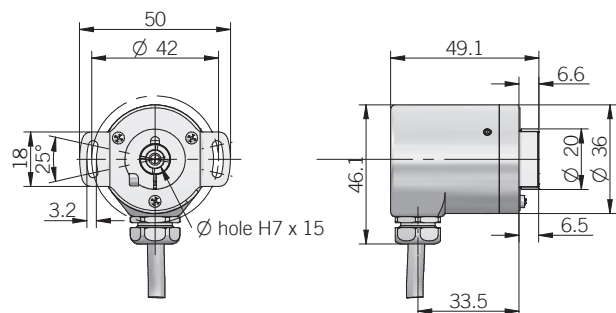


ORDERING CODE	EAM	36F	13	/	12	G	8/30	S	P	X	6	X	8	P	R	.XXX
SERIES magnetic multiturn absolute encoder series	EAM															
MODEL blind hollow shaft with stator coupling blind hollow shaft with antirotation pin		36F 36G														
MULTITURN RESOLUTION turns from			1													
SINGLETURN RESOLUTION from				1												
CODE TYPE binary gray						B G										
POWER SUPPLY 5 V DC 8 ... 30 V DC							5 8/30									
ELECTRONIC INTERFACE Serial Synchronous Interface - SSI								S								
LOGIC positive									P							
OPTIONS to be reported if not used reset										X ZE						
BORE DIAMETER mm											6					
ENCLOSURE RATING IP 67 cover side / IP 65 shaft side												X				
MAX ROTATION SPEED rpm													8			
OUTPUT TYPE cable (standard length 0,5 m)														P		
DIRECTION TYPE radial															R	
VARIANT custom version																XXX

© Copyright 2016 Eltra S.p.a. Unipersonale. All rights reserved. All informations in this catalog are subject to change without notice. Eltra takes no responsibility for typographic errors. For the terms of sales please check the website. REV. 160607

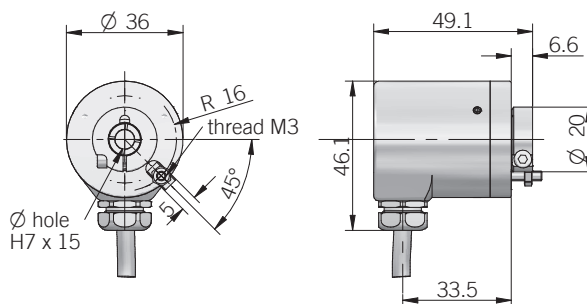
MAGNETIC MULTITURN ABSOLUTE ENCODERS | EAM 36 F / G

EAM 36 F



dimensions in mm

EAM 36 G



anti-rotation pin is included in model G, for mounting instruction please refer to product installation notes

ELECTRICAL SPECIFICATIONS

Multiturn resolution	turns from 1 to 39 bit
Singleturn resolution	from 1 to 12 bit
Power supply	5 = 4,75 ... 5,25 V DC 8/30 = 7,6 ... 30 V DC (reverse polarity protection)
Power draw without load	< 400 mW
Output type	RS-422
Code type	binary or gray
Auxiliary inputs (U/D - Reset)	active high (+Vdc) connect to 0V if not used / Reset t_{min} 150 ms
Clock frequency	100 kHz ... 1 MHz
SSI monostable time (Tm)	20 μ s
SSI pause time (Tp)	> 35 μ s
SSI frame	Tree format (MSB ... LSB) up to 12 bit multiturn = length 25 bit (12MT + 12ST + '0') 13 to 14 bit multiturn = length 27 bit (14MT + 12ST + '0') 15 to 19 bit multiturn = length 32 bit (19MT + 12ST + '0')
Accuracy	$\pm 0,35^\circ$ typical
Counting direction	decreasing clockwise (shaft view)
Start-up time	150 ms
Electromagnetic compatibility	IEC 61000-6-2 IEC 61000-6-4

MECHANICAL SPECIFICATIONS

Bore diameter	\varnothing 6 mm
Enclosure rating	IP 67 cover side / IP 65 shaft side (IEC 60529)
Rotation speed	8000 rpm continuous / 10000 rpm max
Max shaft load	20 N axial / radial
Shock	50 G, 11 ms (IEC 60068-2-27)
Vibration	20 G, 10 ... 2000 Hz (IEC 60068-2-6)
Moment of inertia	$0,001 \times 10^{-6}$ kgm ²
Starting torque (at +20°C / +68°F)	< 0,01 Nm
Shaft material	1.4305 / AISI 303 stainless steel
Housing material	AISI 420 stainless steel
Bearing stage material	EN-AW 2011 aluminium
Bearings	2 ball bearings
Bearings life	10 ⁹ revolutions
Operating temperature	-20° ... +85°C (-4° ... +185°F)
Storage temperature	-20° ... +85°C (-4° ... +185°F)
Fixing torque for collar clamping	0,6 Nm recommended
Weight	150 g (5,29 oz)

CONNECTIONS

Function	Cable colours
+ Vdc	red
0 Volt	black
data +	green
data -	brown
clock +	yellow
clock -	orange
U / D	red-blue
RESET	white
---	shield

Headquarter Switzerland:
Pewatron AG
Thurgauerstrasse 66
CH-8050 Zurich
Phone +41 44 877 35 00
info@pewatron.com

Office Germany:
Pewatron Deutschland GmbH
Edisonstraße 16
D-85716 Unterschleißheim
Phone +49 89 374 288 87-0
info.de@pewatron.com



PEWATRON
SENSORS · POWER SOLUTIONS

We are here for you. Addresses and Contacts.

Sales Germany & Austria

Postcode 00000 – 31999
Postcode 38000 – 39999
Postcode 80000 – 99999
Austria

Kurt Stritzelberger

Phone +49 89 260 52 80
Mobile +49 171 803 41 35

kurt.stritzelberger@pewatron.com

Postcode 32000 – 37999
Postcode 40000 – 79999

Gerhard Vetter

Phone +49 674 394 75 75
Mobile +49 163 762 74 30

gerhard.vetter@pewatron.com

Geometrical sensors
Sensor elements

Thorsten Ravagni

Phone +49 60 479 53 627

thorsten.ravagni@pewatron.com

Sales Switzerland & Liechtenstein

Postcode 3000 – 9999

Basil Frei

Phone +41 44 877 35 18
Mobile +41 76 279 37 26

basil.frei@pewatron.com

Postcode 1000 – 2999

Christian Mohrenstecher

Mobile +41 76 444 57 93

christian.mohrenstecher@pewatron.com

Sales International Key Accounts

Peter Felder

Phone +41 44 877 35 05
Mobile +41 79 406 49 83

peter.felder@pewatron.com

Sales Other Countries / Product Management

Pressure Sensors

Philipp Kistler
Phone +41 44 877 35 03
philipp.kistler@pewatron.com

Accelerometers / Level Flow sensor elements

Thorsten Ravagni
Phone +49 60 479 53 627
thorsten.ravagni@pewatron.com

Drive technology CH Postcode 5000 – 9999 / DE

Roman Homa
Mobile +41 76 444 00 86
roman.homa@pewatron.com

Gas sensors / Gas sensor modules Load cells

Dr. Thomas Clausen
Phone +41 44 877 35 13
thomas.clausen@pewatron.com

Power supplies

Sebastiano Leggio
Phone +41 44 877 35 06
sebastiano.leggio@pewatron.com

Drive technology CH Postcode 1000 – 4999 / AT / IT / FR

Christian Mohrenstecher
Mobile +41 76 444 57 93
christian.mohrenstecher@pewatron.com

Flow / Level / Medical products

Dr. Adriano Pittarelli
Phone +49 8245 774 95 44
adriano.pittarelli@pewatron.com

Linear position sensors Angle sensors

Eric Letsch
Phone +41 44 877 35 14
eric.letsch@pewatron.com

Current sensors Power solutions

Osman Coban
Phone +49 71 635 363 898
osman.coban@pewatron.com