



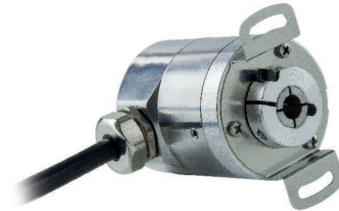
# EAM 36 F / G SSI

## BLIND HOLLOW SHAFT MAGNETIC MULTITURN ABSOLUTE ENCODER

### MAIN FEATURES

Miniaturized multiturn absolute encoder for limited size applications.

- Magnetic sensor technology without contact (Magnetic ASIC + Energy Harvesting)
- Sturdy construction thanks to separated chambers
- Up to 51 bit as total resolution (12 bit single turn + 39 bit multiturn)
- Power supply up to +30 VDC with SSI as electronic interface
- Code reset for easy setup
- Cable output, connectors available on cable end
- 6 mm diameter blind hollow shaft
- Mounting by stator coupling or anti-rotation pin



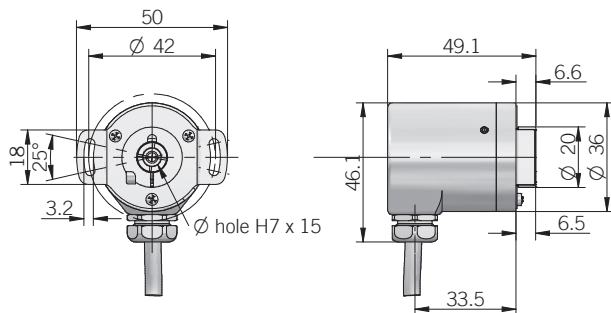
### ORDERING CODE

ORDERING CODE	EAM	36F	13	/	12	G	8/30	S	P	X	6	X	8	P	R	.XXX
<b>SERIES</b> magnetic multiturn absolute encoder series	EAM															
<b>MODEL</b> blind hollow shaft with stator coupling blind hollow shaft with antirotation pin		36F 36G														
<b>MULTITURN RESOLUTION</b> turns from			1													
<b>SINGLETURN RESOLUTION</b> from				1												
<b>CODE TYPE</b> binary gray						B G										
<b>POWER SUPPLY</b> 5 V DC 8 ... 30 V DC							5 8/30									
<b>ELECTRONIC INTERFACE</b> Serial Synchronous Interface - SSI								S								
<b>LOGIC</b> positive									P							
<b>OPTIONS</b> to be reported if not used reset										X ZE						
<b>BORE DIAMETER</b> mm											6					
<b>ENCLOSURE RATING</b> IP 67 cover side / IP 65 shaft side												X				
<b>MAX ROTATION SPEED</b> rpm													8			
<b>OUTPUT TYPE</b> cable (standard length 0,5 m)														P		
<b>DIRECTION TYPE</b> radial															R	
<b>VARIANT</b> custom version																XXX

© Copyright 2016 Eltra S.p.a. Unipersonale. All rights reserved. All informations in this catalog are subject to change without notice. Eltra takes no responsibility for typographic errors. For the terms of sales please check the website. REV. 160607

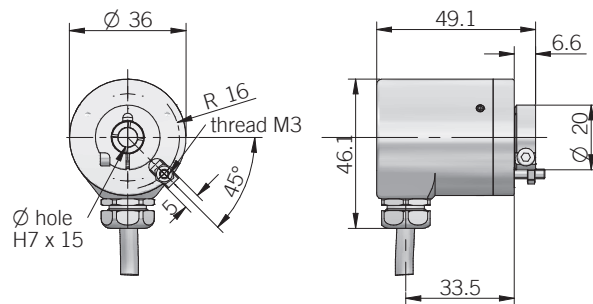
## MAGNETIC MULTITURN ABSOLUTE ENCODERS | EAM 36 F / G

## EAM 36 F



dimensions in mm

## EAM 36 G



anti-rotation pin is included in model G, for mounting instruction please refer to product installation notes

## ELECTRICAL SPECIFICATIONS

<b>Multiturn resolution</b>	turns from 1 to 39 bit
<b>Singleturn resolution</b>	from 1 to 12 bit
<b>Power supply</b>	5 = 4,75 ... 5,25 V DC 8/30 = 7,6 ... 30 V DC (reverse polarity protection)
<b>Power draw without load</b>	< 400 mW
<b>Output type</b>	RS-422
<b>Code type</b>	binary or gray
<b>Auxiliary inputs (U/D - Reset)</b>	active high (+Vdc) connect to 0V if not used / Reset $t_{min}$ 150 ms
<b>Clock frequency</b>	100 kHz ... 1 MHz
<b>SSI monostable time (Tm)</b>	20 $\mu$ s
<b>SSI pause time (Tp)</b>	> 35 $\mu$ s
<b>SSI frame</b>	Tree format (MSB ... LSB) up to 12 bit multiturn = lenght 25 bit (12MT + 12ST+'0') 13 to 14 bit multiturn = lenght 27 bit (14MT + 12ST + '0') 15 to 19 bit multiturn = lenght 32 bit (19MT + 12ST + '0')
<b>Accuracy</b>	$\pm 0,35^\circ$ typical
<b>Counting direction</b>	decreasing clockwise (shaft view)
<b>Start-up time</b>	150 ms
<b>Electromagnetic compatibility</b>	IEC 61000-6-2 IEC 61000-6-4

## MECHANICAL SPECIFICATIONS

<b>Bore diameter</b>	$\varnothing$ 6 mm
<b>Enclosure rating</b>	IP 67 cover side / IP 65 shaft side (IEC 60529)
<b>Rotation speed</b>	8000 rpm continuous / 10000 rpm max
<b>Max shaft load</b>	20 N axial / radial
<b>Shock</b>	50 G, 11 ms (IEC 60068-2-27)
<b>Vibration</b>	20 G, 10 ... 2000 Hz (IEC 60068-2-6)
<b>Moment of inertia</b>	0,001 x 10 <sup>-6</sup> kgm <sup>2</sup>
<b>Starting torque (at +20°C / +68°F)</b>	< 0,01 Nm
<b>Shaft material</b>	1.4305 / AISI 303 stainless steel
<b>Housing material</b>	AISI 420 stainless steel
<b>Bearing stage material</b>	EN-AW 2011 aluminium
<b>Bearings</b>	2 ball bearings
<b>Bearings life</b>	10 <sup>9</sup> revolutions
<b>Operating temperature</b>	-20° ... +85°C (-4° ... +185°F)
<b>Storage temperature</b>	-20° ... +85°C (-4° ... +185°F)
<b>Fixing torque for collar clamping</b>	0,6 Nm recommended
<b>Weight</b>	150 g (5,29 oz)

## CONNECTIONS

Function	Cable colours
+ Vdc	red
0 Volt	black
data +	green
data -	brown
clock +	yellow
clock -	orange
U / D	red-blue
RESET	white
$\text{---}$	shield

Headquarter Switzerland:  
Pewatron AG  
Thurgauerstrasse 66  
CH-8050 Zurich  
Phone +41 44 877 35 00  
info@pewatron.com

Office Germany:  
Pewatron Deutschland GmbH  
Edisonstraße 16  
D-85716 Unterschleißheim  
Phone +49 89 374 288 87-0  
info.de@pewatron.com



**PEWATRON**  
SENSORS · POWER SOLUTIONS

## We are here for you. Addresses and Contacts.

---

### Sales Germany & Austria

Postcode 00000 – 31999  
Postcode 38000 – 39999  
Postcode 80000 – 99999  
Austria

Kurt Stritzelberger

Phone +49 89 260 52 80  
Mobile +49 171 803 41 35

kurt.stritzelberger@pewatron.com

Postcode 32000 – 37999  
Postcode 40000 – 79999

Gerhard Vetter

Phone +49 674 394 75 75  
Mobile +49 163 762 74 30

gerhard.vetter@pewatron.com

**Geometrical sensors**  
**Sensor elements**

Thorsten Ravagni

Phone +49 60 479 53 627

thorsten.ravagni@pewatron.com

---

### Sales Switzerland & Liechtenstein

Postcode 3000 – 9999

Basil Frei

Phone +41 44 877 35 18  
Mobile +41 76 279 37 26

basil.frei@pewatron.com

Postcode 1000 – 2999

Christian Mohrenstecher

Mobile +41 76 444 57 93

christian.mohrenstecher@pewatron.com

### Sales International Key Accounts

Peter Felder

Phone +41 44 877 35 05  
Mobile +41 79 406 49 83

peter.felder@pewatron.com

---

### Sales Other Countries / Product Management

#### Pressure Sensors

Philipp Kistler  
Phone +41 44 877 35 03  
philipp.kistler@pewatron.com

#### Accelerometers / Level Flow sensor elements

Thorsten Ravagni  
Phone +49 60 479 53 627  
thorsten.ravagni@pewatron.com

#### Drive technology CH Postcode 5000 – 9999 / DE

Roman Homa  
Mobile +41 76 444 00 86  
roman.homa@pewatron.com

#### Gas sensors / Gas sensor modules Load cells

Dr. Thomas Clausen  
Phone +41 44 877 35 13  
thomas.clausen@pewatron.com

#### Power supplies

Sebastiano Leggio  
Phone +41 44 877 35 06  
sebastiano.leggio@pewatron.com

#### Drive technology CH Postcode 1000 – 4999 / AT / IT / FR

Christian Mohrenstecher  
Mobile +41 76 444 57 93  
christian.mohrenstecher@pewatron.com

#### Flow / Level / Medical products

Dr. Adriano Pittarelli  
Phone +49 8245 774 95 44  
adriano.pittarelli@pewatron.com

#### Linear position sensors Angle sensors

Eric Letsch  
Phone +41 44 877 35 14  
eric.letsch@pewatron.com

#### Current sensors Power solutions

Osman Coban  
Phone +49 71 635 363 898  
osman.coban@pewatron.com