



EL - EF 49 C / P

THROUGH HOLLOW SHAFT INCREMENTAL ENCODER

MAIN FEATURES

∅ 49 mm encoder recommended in feedback control systems on AC servomotors, interchangeable with size 19 Resolver.

- Easy mechanical mounting
- Small dimensions
- Wide range of resolutions available
- High temperature resistance

EL series

Basic version with 3 channels incremental outputs. Several output types available

EF series

6 channels encoder with optical generation of "Hall effect phases" (commutation signals)
Signal transmission by bit parallel bus

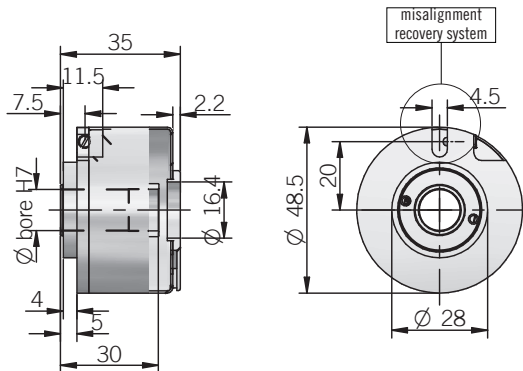


ORDERING CODE	EF	49C	6	L	500	S	5	L	8	X	6	PR	.XXX
SERIES	incremental encoder EL	incremental encoder with Hall phases EF											
MODEL	blind hollow shaft 49C	through hollow shaft 49P											
EF MOTOR POLES	4 poles 4	6 poles 6	8 poles 8										
EF ELECTRONIC INTERFACE FOR COMMUTATION SIGNALS	NPN open collector C	line driver RS-422 L											
RESOLUTION	ppr from 100 to 2048	see table for pulses availability											
ZERO PULSE	without zero pulse S	with zero pulse Z											
POWER SUPPLY	5 V DC 5	(mod. EL) 8 ... 24 V DC 8/24											
ELECTRONIC INTERFACE	(mod. EL) NPN N	(mod. EL) NPN open collector C	(mod. EL) push-pull P	line driver L									
BORE DIAMETER	mm 6	mm 8	9,52 mm (3/8") 9	mm 10	mm 12	12,7 mm (1/2") 12.7							
ENCLOSURE RATING	IP 40 X												
MAX ROTATION SPEED	6000 rpm 6												
OUTPUT TYPE	radial cable (standard length 0,3 m) PR												
VARIANT	custom version XXX												



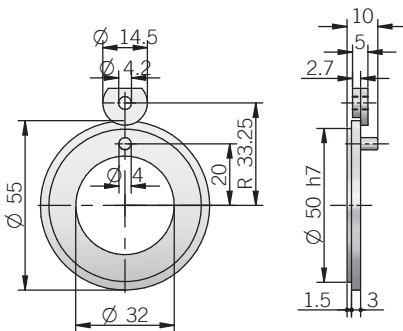
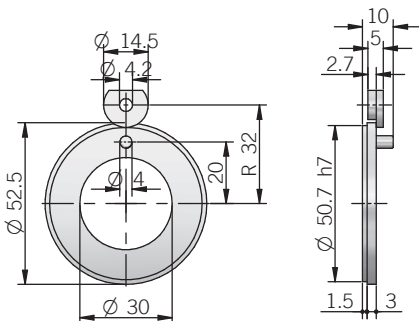
OPTICAL HOLLOW SHAFT INCREMENTAL ENCODERS | EL - EF 49 C / P

EL - EF 49 C / P

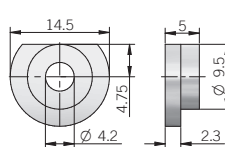


dimensions in mm

ACCESSORIES

Size 19 resolver flange (01 version) ordering code: **FLG000** (P/N 94010087)Size 19 resolver flange (14 version) ordering code: **FLG001** (P/N 94010065)

Set n.3 fixing clamps (P/N 94080001)



for mounting instruction please refer to product installation notes

RESOLUTIONS

100 4 / 6 poles - 200 4 / 6 poles - 500 4 / 6 / 8 poles - 512 4 / 6 / 8 poles
 1000 4 / 6 / 8 poles - 1024 4 / 6 / 8 poles - 2000 4 / 6 / 8 poles
 2048 4 / 6 / 8 poles

please directly contact our offices for other pulses

ELECTRICAL SPECIFICATIONS

Resolution	from 100 to 2048 ppr (see table)
Max load current	N / C / P = 30 mA / channel L = 20 mA / channel
Max output frequency	150 kHz
Counting direction	A leads B clockwise (shaft view)
Electromagnetic compatibility	IEC 61000-6-1 IEC 61000-6-3

ELECTRICAL SPECIFICATIONS EL SERIES

Power supply	5 = 4,5 ... 5,5 V DC 8/24 = 7,6 ... 25,2 V DC
Current consumption without load	100 mA max
Output type	NPN / NPN open collector / push-pull / line driver

*output levels according to power supply, for further details please see under Technical basics section

ELECTRICAL SPECIFICATIONS EF SERIES

Power supply	5 = 4,5 ... 5,5 V DC
Current consumption without load	150 mA max
Output type for incremental signals	line driver RS-422
Output type for Hall phases	NPN open collector (max pullup +30V DC) line driver RS-422

MECHANICAL SPECIFICATIONS

Bore diameter	ø 6 / 8 / 9,52 / 10 / 12 / 12,7 mm
Enclosure rating	IP 40 (IEC 60529)
Max rotation speed	6000 rpm
Shock	50 G, 11 ms (IEC 60068-2-27)
Vibration	5 G, 10 ... 500 Hz (IEC 60068-2-6)
Moment of inertia	$2 \times 10^{-6} \text{ kgm}^2$
Starting torque (at +20°C / +68°F)	< 0,01 Nm
Body material	EN-AW 2011 aluminum
Shaft material	1.4305 / AISI 303 stainless steel
Housing material	nickel plated brass
Bearings	2 ball bearings
Bearings life	10^9 revolutions
Operating temperature	-20° ... +85 °C (-4° ... +185°F) -10° ... +100°C (+14° ... +212°F) on demand
Storage temperature	-25° ... +85°C (-13° ... +185°F)
Weight	150 g (5,29 oz)

CONNECTIONS

Function	EL cable output	EL cable output	EF cable output
	N / C / P	Line driver	
+V DC	red	red	red
0 V	black	black	black
Ch. A	green	green	green
Ch. B	yellow	yellow	yellow
Ch. Z	blue	blue	blue
Ch. A-	/	brown	brown
Ch. B-	/	orange	orange or pink
Ch. Z-	/	white	white
Ch. U	/	/	grey
Ch. V	/	/	violet
Ch. W	/	/	grey-pink
Ch. U-	/	/	red-blue
Ch. V-	/	/	white-green
Ch. W-	/	/	brown-green
⊥	shield	shield	shield



© Copyright 2016 Eltra S.p.a. Unipersonale. All rights reserved. All informations in this catalog are subject to change without notice.
 Eltra takes no responsibility for typographic errors. For the terms of sales please check the website. REV. 160607

60

30 1985 - 2015
 eltra@eltra.it | www.eltra.it

Headquarter Switzerland:
Pewatron AG
Thurgauerstrasse 66
CH-8052 Zurich
Phone +41 44 877 35 00
info@pewatron.com

Office Germany:
Pewatron AG
Edisonstraße 16
D-85716 Unterschleißheim
Phone +49 89 260 38 47
infode@pewatron.com



PEWATRON
SENSORS · POWER SUPPLIES

We are here for you. Addresses and Contacts.

Sales Switzerland & Liechtenstein

Postcode 3000 – 9999

Basil Frei
Pewatron AG
Thurgauerstrasse 66
CH-8052 Zurich

Phone +41 44 877 35 18
Mobile +41 76 279 37 26

basil.frei@pewatron.com

Postcode 1000 – 2999

Eric Letsch
Pewatron AG
Thurgauerstrasse 66
CH-8052 Zurich

Phone +41 44 877 35 14
Mobile +41 76 491 66 70

eric.letsch@pewatron.com

Sales International Key Accounts

Peter Felder
Pewatron AG
Thurgauerstrasse 66
CH-8052 Zurich

Phone +41 44 877 35 05
Mobile +41 79 406 49 83

peter.felder@pewatron.com

Sales Germany

Postcode 00000 – 31999
Postcode 38000 – 39999
Postcode 80000 – 99999

Kurt Stritzelberger
Pewatron AG
Edisonstraße 16
D-85716 Unterschleißheim

Phone +49 89 260 52 80
Mobile +49 171 803 41 35

kurt.stritzelberger@pewatron.com

Postcode 32000 – 37999
Postcode 40000 – 79999

Gerhard Vetter
Pewatron AG
Fürstenbergstraße 12
D-55422 Bacharach-Medenscheid

Phone +49 674 394 75 75
Mobile +49 163 762 74 30

gerhard.vetter@pewatron.com

Sales Austria

Kurt Stritzelberger
Pewatron AG
Edisonstraße 16
D-85716 Unterschleißheim

Phone +49 89 260 52 80
Mobile +49 171 803 41 35

kurt.stritzelberger@pewatron.com

Sales Other Countries / Product Management

Pressure Sensors

Philipp Kistler
Phone +41 44 877 35 03
philipp.kistler@pewatron.com

Accelerometers

Eric Letsch
Phone +41 44 877 35 14
eric.letsch@pewatron.com

Drive technology

CH Postcode 5000 – 9999 / DE

Roman Homa
Mobile +41 79 444 00 86
roman.homa@pewatron.com

Gas sensors / Gas sensor modules Load cells

Thomas Clausen
Phone +41 44 877 35 13
thomas.clausen@pewatron.com

Power supplies

Sebastiano Leggio
Phone +41 44 877 35 06
sebastiano.leggio@pewatron.com

Drive technology

CH Postcode 1000 – 4999 / AT / IT / FR

Christian Mohrenstecher
Mobile +41 76 444 57 93
christian.mohrenstecher@pewatron.com

Linear position sensors Angle sensors

Eric Letsch
Phone +41 44 877 35 14
eric.letsch@pewatron.com

Current sensors

Sebastiano Leggio
Phone +41 44 877 35 06
sebastiano.leggio@pewatron.com