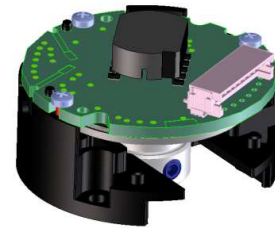
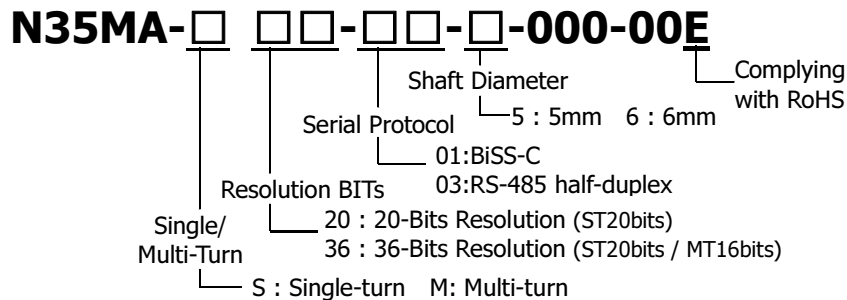


N35MA Series

36-Bits Multi-Turn & 20-Bits Single Turn

Absolute Encoder Module



Introduction

N35MA series encoder is a high-resolution optical absolute encoder, which offers 20-bits single turn and 16-bits multi-turn counts, hence a combined 36 bits high resolution for multi-turn encoder. Also, it offers optional 20-bits single turn count only for single turn encoder. The N35MA series encoder is a module encoder consists of a patterned disk, a light source and photosensitive elements to translate the mechanical motion into electrical signal. The N35MA series encoder has a built in communication protocol which supported by a full-duplex or half-duplex line transmissions drive, offering good noise immunity for more robust transmission of data up to 10Mbps in harsh industrial application.

The key advantage of the N35MA series is its multi-turn tracking that employs energy-harvesting technology by harvesting the magnetic energy as the encoder shaft rotates. It is the gearless multi-turn counting that eliminates the gear wear-out or acoustics noise issue that encountered in conventional geared multi-turn encoder. On the other hand, when comparing to battery backed up multi-turn counting, this technology does not require periodic maintenance of the battery backup components and the down time associated with it.

Operating Theory

Structures-wise, the encoder contains two main functional blocks: the single-turn optical engine block and the energy-harvesting multi-turn counter block. The single-turn engine comprises a high-performance optical detector ASIC, which is accompanied by high-precision amplifiers circuitry, coupled with a special multi-track code disk that rotates between the LED emitter and detector IC.

On the multi-turn side, the multi-turn counting is enabled utilizing energy-harvesting technology. When the shaft is rotating, the magnet mounted on the shaft moves in tandem. The energy-harvesting coil module cuts the moving magnet field, and generates energy as a result.

The beauty of the energy-harvesting effect is that the same amount of energy is generated independent of the rotation speed. The generated energy is sufficient to power up the revolution tracking circuitry. Therefore, no miscounts even in the absence of external power supply.

Features

- Multi-turn encoder: 36-bits resolution with 16-bits energy harvesting multi-turn & 20-bits optical single turn
- Single turn encoder: 20-bits resolution with 20-bits optical single turn only
- Built-in communication protocol options: BiSS C mode and RS-485 half-duplex
- Overall encoder outer diameter Ø35 mm and maximum height of 21 mm
- Supporting 5mm and 6mm diameter of the shaft
- 5K bits of user accessible memory in E2PROM

Benefits

- No battery or capacitor required for position detection during power failure
- Immediate position detection on power up

Applications

- Robotics
- Factory automation
- Linear positioning system
- CNC machine tool
- Medical and lab equipment

Note: Our encoders are not recommended for use in safety critical applications. E.g. ABS braking systems, power steering, life support systems and critical care medical equipment. Please contact sales representative if more clarification is needed.

N35MA Series Datasheet

Product Specifications**Electrical Specifications**

Parameters	Conditions	Min	Typ	Max	Units
Current Consumption	Without load, $T_{amb} = 25^{\circ}\text{C}$	-	115	200	mA
Supply Voltage	-	4.5	5	5.5	V
Electrically Permissible Speed	-	-	-	10,000	RPM

Mechanical Specifications

Parameters	Conditions	Min	Typ	Max	Units
System Accuracy	With electrical correction, $T_{amb} = 25^{\circ}\text{C}$	-	± 120	-	Arc-sec
Mechanical Permissible Speed	-	-	-	10,000	RPM

Environmental Specifications

Parameters	Conditions	Min	Typ	Max	Units
Storage Temperature	-	-20	-	105	$^{\circ}\text{C}$
Operating Temperature	-	-20	-	105	$^{\circ}\text{C}$
Relative Air Humidity (Non-Condensing)	$T_{amb} = 60^{\circ}\text{C}$	-	90	-	RH%
Vibration	Per IEC 60068-2-6	-	-	10G; 10~2000Hz	-
Shock	Per IEC 60068-2-27	-	-	6ms; Half Sine; 200G	-
Electrostatic Discharge (Module level)	Per IEC 61000-4-2	-	-	2	kV

Encoder Specifications

Parameter	Remarks
Single turn Resolution	Single Turn 20 bits (1048575 counts)
Multi-turn Resolution	Multi-turn 16 bits (65535 counts)
Counting Direction	Increase with Clockwise (CW) motor shaft rotation, view from encoder top (Figure 1)
Initialization Time	500 ms

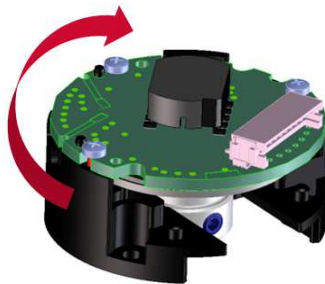


Figure 1

Note:

1. Exposure to absolute maximum rating conditions for extended periods may affect reliability

Interface Diagram

The following are examples of the circuit diagram of full-duplex and half-duplex transceiver.

Full-duplex transceiver (BiSS C mode protocol):

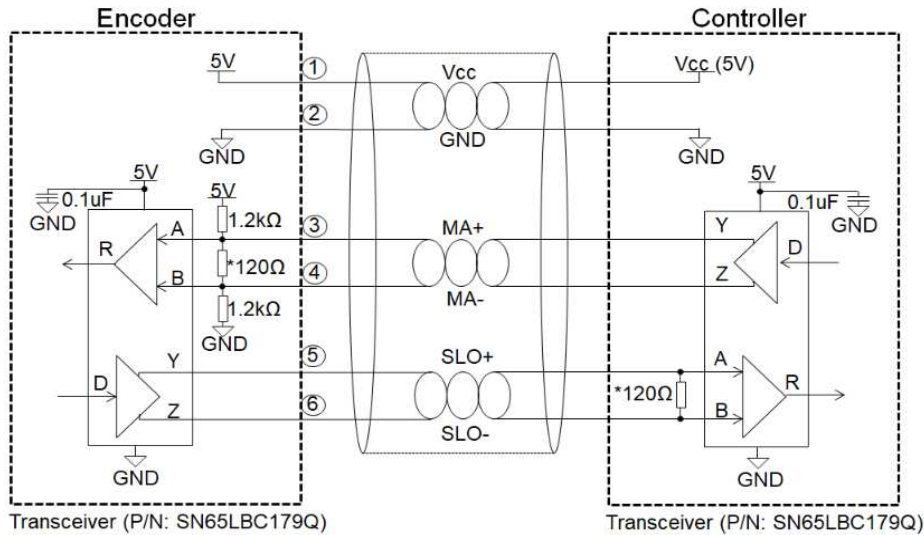


Figure 2: Circuit diagram of full-duplex transceiver

Half-duplex transceiver (RS-485 half-duplex protocol):

The following are examples of the circuit diagram of RS-485 half-duplex transceiver.

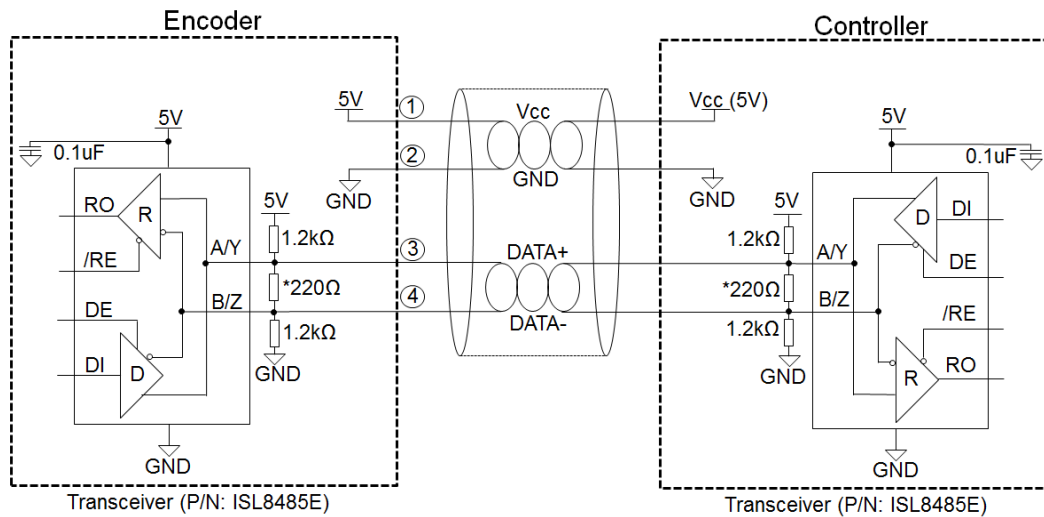


Figure 3: Circuit diagram of full-duplex transceiver

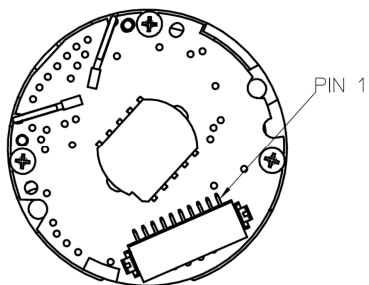
Note:

- 1) Termination resistor, *120ohm and *220ohm are recommended but may depends on the characteristic impedance of cable used.

N35MA Series Datasheet

Connector Output Assignment

Pin	BiSS C mode	RS-485 half-duplex
1	VCC, Positive Supply	VCC, Positive Supply
2	GND, Ground	GND, Ground
3	MA+	DATA+
4	MA-	DATA-
5	SLO+	Phase Calibration Signal 1
6	SLO-	Phase Calibration Signal 2
7	Phase Calibration Signal 1	Phase Calibration Signal 3
8	Phase Calibration Signal 2	Phase Calibration Signal 4
9	Phase Calibration Signal 3	N/A
10	Phase Calibration Signal 4	N/A



*Recommended mating connector:

Hirose Part No: DF13-10S-1.25C (CL No.536-0006-8)

Hirose (Terminal Pin for Wire 26~30AWG): DF13-2630SCF (CL No.536-0300-5)

Mechanical Drawing

Package Dimensions

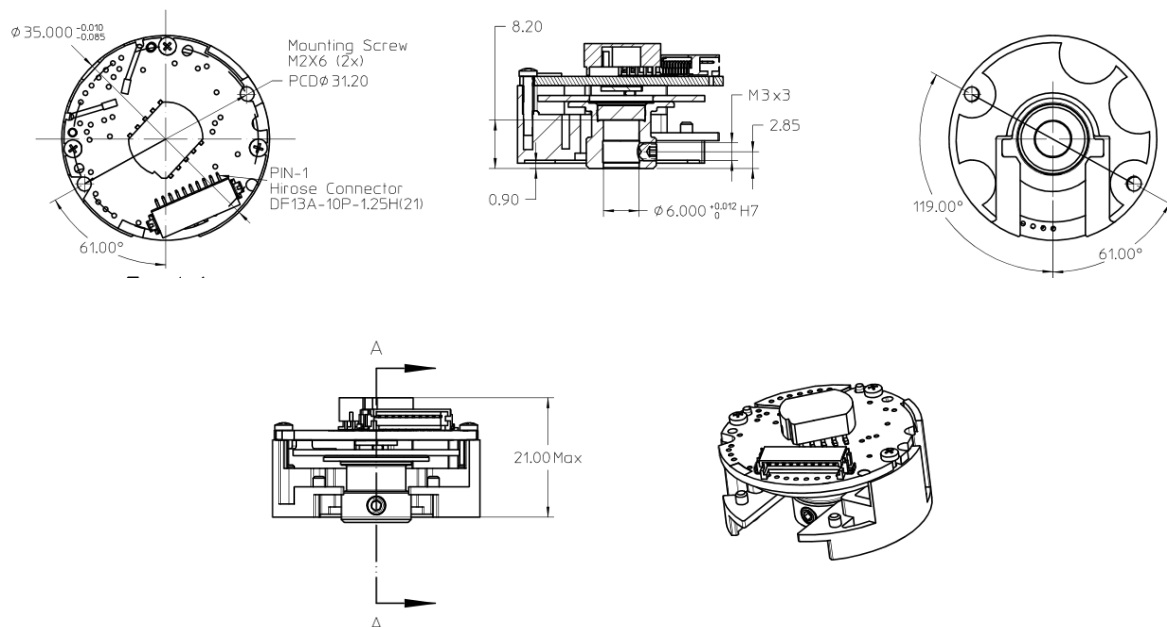


Figure 4: Package dimensions in 3D view

N35MA Series Datasheet

Recommended Shaft and Mounting Requirement

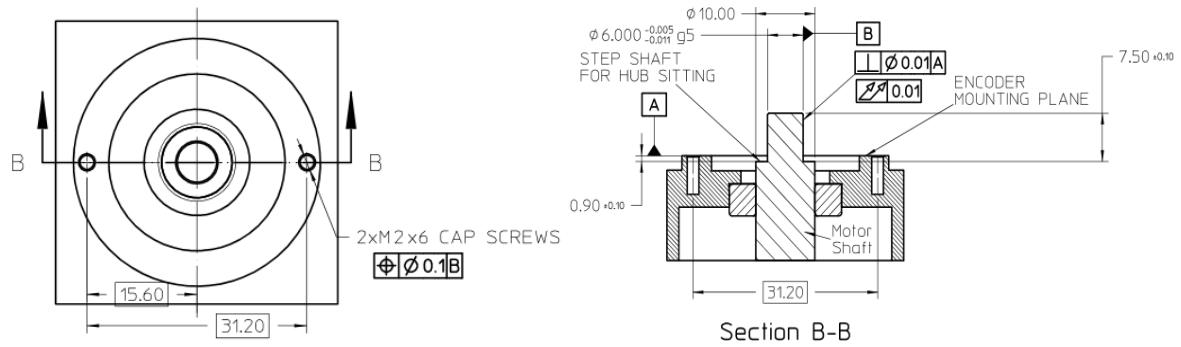


Figure 5: Recommended shaft and mounting requirement:

Note:

1. Dimensions are in millimeters
2. 3rd Angle Projection
3. Unless otherwise specified, all tolerances are within ± 0.5 mm

The Terms & Condition

- This module encoder is NON Ingress Protection rated.

Customer will have to ensure:

- a). Clean Room (100K) Environment for Encoder Assembly onto Motor
- b). Encoder has to be enclosed in the Ingress Protection of IP50 at all time during the operation/application
- c). For optima performance, the design of encoder cover has to fulfill certain EMC protection.

Headquarter Switzerland:
Pewatron AG
Thurgauerstrasse 66
CH-8050 Zurich
Phone +41 44 877 35 00
info@pewatron.com

Office Germany:
Pewatron Deutschland GmbH
Edisonstraße 16
D-85716 Unterschleißheim
Phone +49 89 374 288 87-0
info.de@pewatron.com



PEWATRON
SENSORS · POWER SOLUTIONS

We are here for you. Addresses and Contacts.

Sales Germany & Austria

Postcode 00000 – 31999
Postcode 38000 – 39999
Postcode 80000 – 99999
Austria

Kurt Stritzelberger

Phone +49 89 260 52 80
Mobile +49 171 803 41 35

kurt.stritzelberger@pewatron.com

Postcode 32000 – 37999
Postcode 40000 – 79999

Gerhard Vetter

Phone +49 674 394 75 75
Mobile +49 163 762 74 30

gerhard.vetter@pewatron.com

Geometrical sensors
Sensor elements

Thorsten Ravagni

Phone +49 60 479 53 627

thorsten.ravagni@pewatron.com

Sales Switzerland & Liechtenstein

Postcode 3000 – 9999

Basil Frei

Phone +41 44 877 35 18
Mobile +41 76 279 37 26

basil.frei@pewatron.com

Postcode 1000 – 2999

Christian Mohrenstecher

Mobile +41 76 444 57 93

christian.mohrenstecher@pewatron.com

Sales International Key Accounts

Peter Felder

Phone +41 44 877 35 05
Mobile +41 79 406 49 83

peter.felder@pewatron.com

Sales Other Countries / Product Management

Pressure Sensors

Philipp Kistler
Phone +41 44 877 35 03
philipp.kistler@pewatron.com

Accelerometers / Level Flow sensor elements

Thorsten Ravagni
Phone +49 60 479 53 627
thorsten.ravagni@pewatron.com

Drive technology CH Postcode 5000 – 9999 / DE

Roman Homa
Mobile +41 76 444 00 86
roman.homa@pewatron.com

Gas sensors / Gas sensor modules Load cells

Dr. Thomas Clausen
Phone +41 44 877 35 13
thomas.clausen@pewatron.com

Power supplies

Sebastiano Leggio
Phone +41 44 877 35 06
sebastiano.leggio@pewatron.com

Drive technology CH Postcode 1000 – 4999 / AT / IT / FR

Christian Mohrenstecher
Mobile +41 76 444 57 93
christian.mohrenstecher@pewatron.com

Flow / Level / Medical products

Dr. Adriano Pittarelli
Phone +49 8245 774 95 44
adriano.pittarelli@pewatron.com

Linear position sensors Angle sensors

Eric Letsch
Phone +41 44 877 35 14
eric.letsch@pewatron.com

Current sensors Power solutions

Osman Coban
Phone +49 71 635 363 898
osman.coban@pewatron.com