

MANUAL TYPE

Compact & Very Thin

UFO-M2 Model

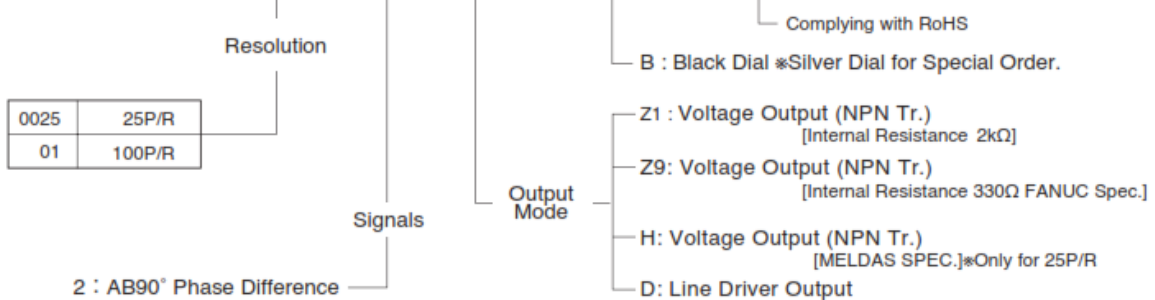


- Optical Slot Mode.
- Click Mechanism.

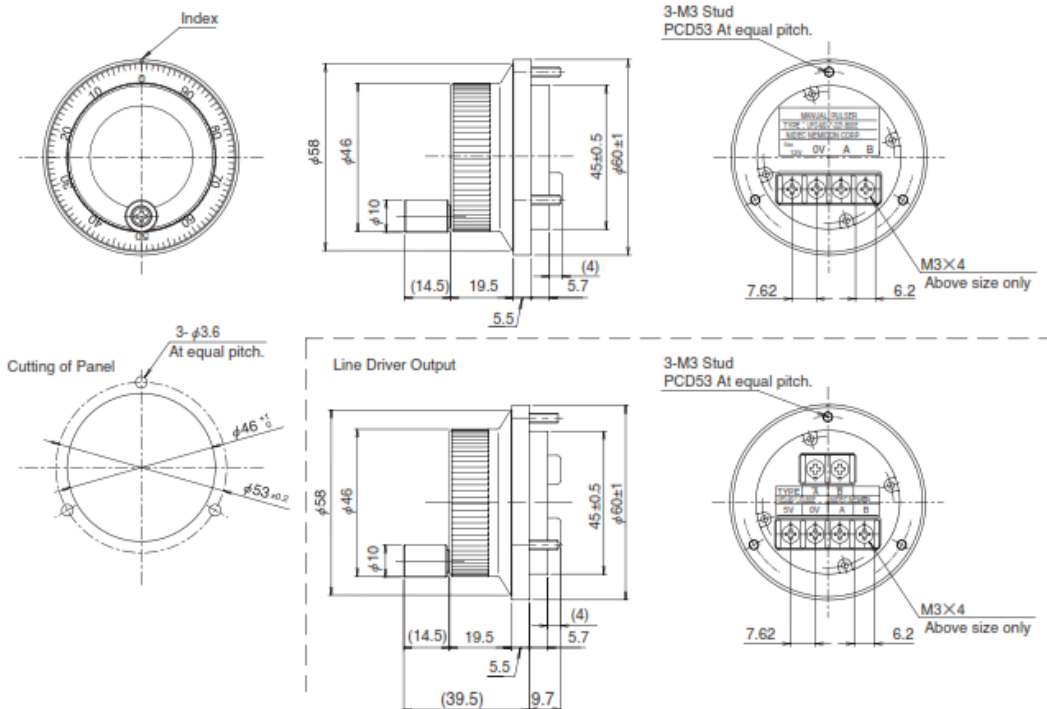
Model



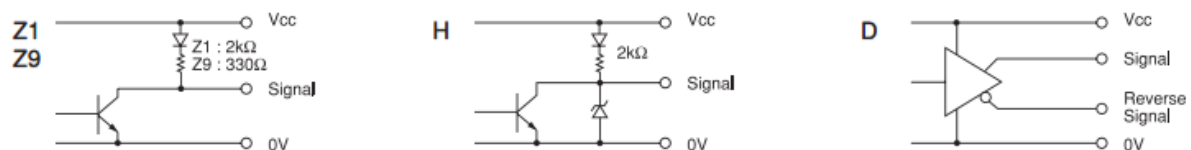
UFO-M2- [] [] -2 [] [] -B00E



External Dimension



Output Circuit



UFO-M2

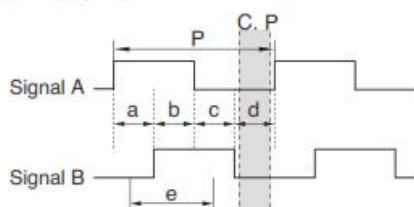
Electrical Spec

TYPE		Z1	Z9	H	D
Power Supply(Vcc)		DC+4.5V ~ +13.2V	DC+5V±10%	DC+12V±10%	DC+5V±5%
Current Consumption		50 mA Max	70 mA Max	50 mA Max	100 mA Max
Resolution		100P/R · 25P/R		25P/R	100P/R · 25P/R
Output Voltage	"H"	Vcc-1V Min		+5V±10%	2.5 V Min
	"L" ※1	0.5 V Max			
Maximum Frequency Response		5 kHz			
Rise & Fall Time		1 μs Max		1.5 μs Max	200 ns Max
Maximum Sink Current		20 mA Max			

※1) at Maximum Sink Current

Wave Form

2Z1 · 2Z9 · 2H



$$P = \frac{1}{\text{Resolution}}$$

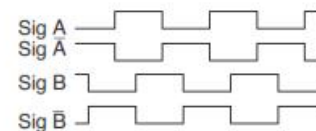
$$a, b, c, d = \frac{P}{4} \pm \frac{P}{6}$$

Wave Ratio (Duty); 50 ± 25 (%)

C.P=Click points

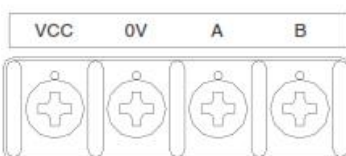
For mode 25P/R click point is at each position of a,b,c,d.
*Point "e" is recommended as the system switching timing.

2D

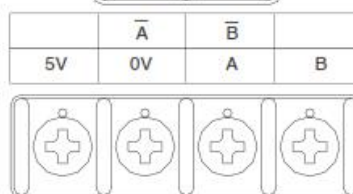


Electrical Connections

2Z1 · 2Z9 · 2H



2D



Mechanical Spec

Starting Torque	6.8X10 ⁻³ N·m~2.9X10 ⁻² N·m	
Shaft Loading	Thrust	9.8N
	Radial	19.6N
Maximum Permissible Speed	600min ⁻¹ (Instantaneous) 200min ⁻¹ (Continuous)	
Rotational Life	> 1 million rotations (200min ⁻¹)	
Net Weight	200g Max	

Environmental Spec

Operating Temperature	-10°C~+60°C
Storage Temperature	-30°C~+70°C
Humidity	RH 85% Max No Condensation
Vibration	10~55 Hz / 1.5mm X,Y,Z Each 2h
Shock	490m/s ² , 11ms X, Y, Z Each 3 times
Ingress Protection	IP64(Panel Mounting)

Headquarter Switzerland:
Pewatron AG
Thurgauerstrasse 66
CH-8050 Zurich
Phone +41 44 877 35 00
info@pewatron.com

Office Germany:
Pewatron Deutschland GmbH
Edisonstraße 16
D-85716 Unterschleißheim
Phone +49 89 374 288 87-0
info.de@pewatron.com



PEWATRON
SENSORS · POWER SOLUTIONS

We are here for you. Addresses and Contacts.

Sales Germany & Austria

Postcode 00000 – 31999
Postcode 38000 – 39999
Postcode 80000 – 99999
Austria

Kurt Stritzelberger

Phone +49 89 260 52 80
Mobile +49 171 803 41 35

kurt.stritzelberger@pewatron.com

Postcode 32000 – 37999
Postcode 40000 – 79999

Gerhard Vetter

Phone +49 674 394 75 75
Mobile +49 163 762 74 30

gerhard.vetter@pewatron.com

Geometrical sensors
Sensor elements

Thorsten Ravagni

Phone +49 60 479 53 627

thorsten.ravagni@pewatron.com

Sales Switzerland & Liechtenstein

Postcode 3000 – 9999

Basil Frei

Phone +41 44 877 35 18
Mobile +41 76 279 37 26

basil.frei@pewatron.com

Postcode 1000 – 2999

Christian Mohrenstecher

Mobile +41 76 444 57 93

christian.mohrenstecher@pewatron.com

Sales International Key Accounts

Peter Felder

Phone +41 44 877 35 05
Mobile +41 79 406 49 83

peter.felder@pewatron.com

Sales Other Countries / Product Management

Pressure Sensors

Philipp Kistler
Phone +41 44 877 35 03
philipp.kistler@pewatron.com

Accelerometers / Level Flow sensor elements

Thorsten Ravagni
Phone +49 60 479 53 627
thorsten.ravagni@pewatron.com

Drive technology CH Postcode 5000 – 9999 / DE

Roman Homa
Mobile +41 76 444 00 86
roman.homa@pewatron.com

Gas sensors / Gas sensor modules Load cells

Dr. Thomas Clausen
Phone +41 44 877 35 13
thomas.clausen@pewatron.com

Power supplies

Sebastiano Leggio
Phone +41 44 877 35 06
sebastiano.leggio@pewatron.com

Drive technology CH Postcode 1000 – 4999 / AT / IT / FR

Christian Mohrenstecher
Mobile +41 76 444 57 93
christian.mohrenstecher@pewatron.com

Flow / Level / Medical products

Dr. Adriano Pittarelli
Phone +49 8245 774 95 44
adriano.pittarelli@pewatron.com

Linear position sensors Angle sensors

Eric Letsch
Phone +41 44 877 35 14
eric.letsch@pewatron.com

Current sensors Power solutions

Osman Coban
Phone +49 71 635 363 898
osman.coban@pewatron.com