

MANUAL TYPE

UFO Model



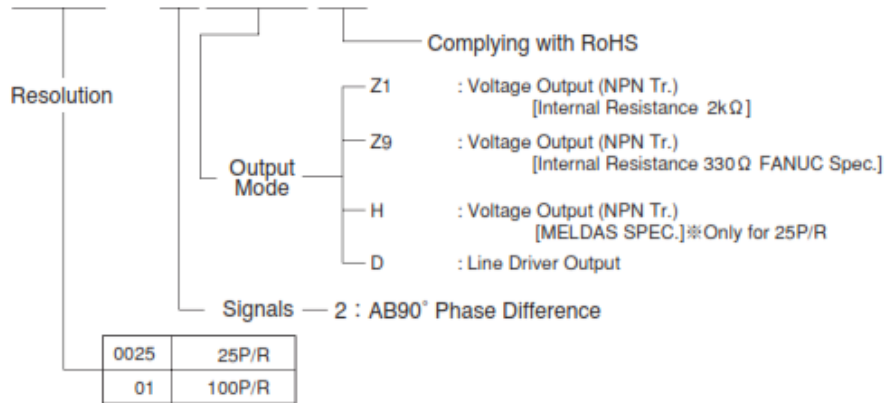
Compact & Very Thin

- Suitable for Thin Type Operator Panel.
- Click Mechanism.

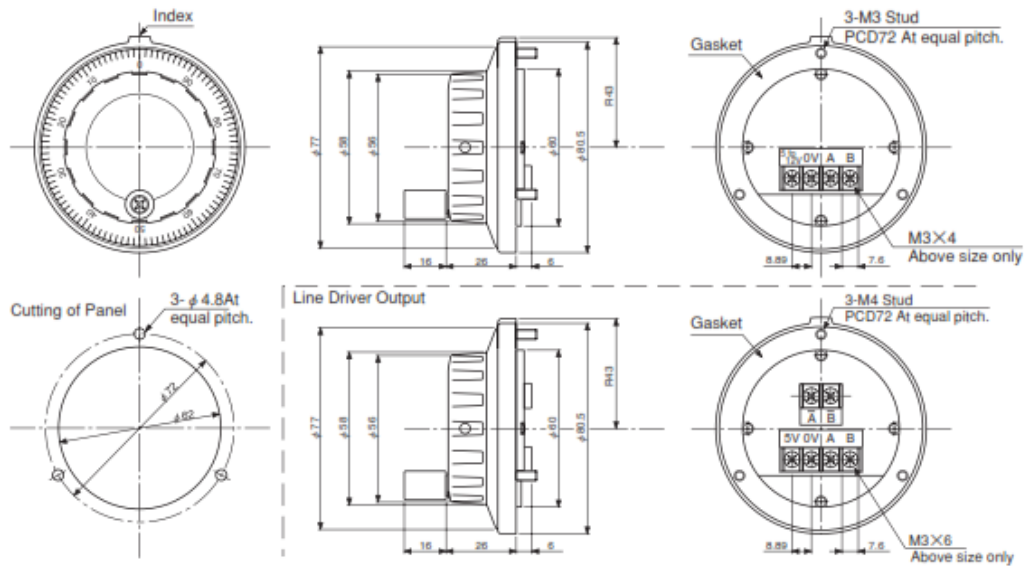
Model



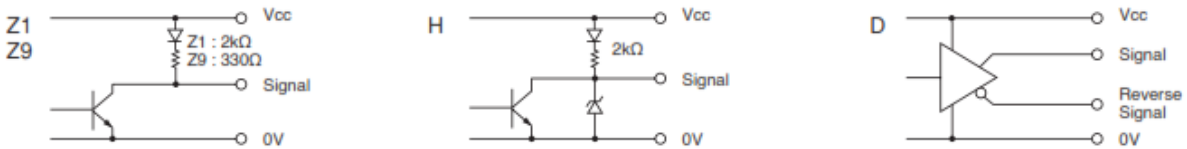
UFO-□□-2□□E



External Dimension



Output Circuit



UFO

Electrical Spec

TYPE		Z1	Z9	H	D
Power Supply(Vcc)		DC+4.5V ~ +13.2V	DC+5V±10%	DC+12V±10%	DC+5V±5%
Current Consumption		50 mA Max	70 mA Max	50 mA Max	150 mA Max
Resolution		100P/R · 25P/R		25P/R	100P/R · 25P/R
Output Voltage	"H"	Vcc-1V Min		+5V±10%	2.5 V Min
	"L"※1	0.5 V Max			
Maximum Frequency Response		5 kHz			
Rise & Fall Time		1 μs Max		1.5 μs Max	200 ns Max
Maximum Sink Current		20 mA			

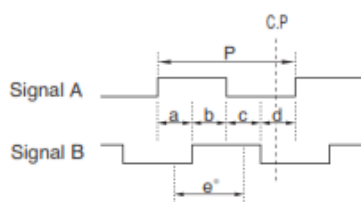
※1) at Maximum Sink Current

Wave Form

CW → Rotating Toward Clockwise Viewed from Front Side

$$P=1/\text{Resolution} \quad a,b,c,d=P/4 \pm P/6$$

2Z1 · 2Z9 · 2H

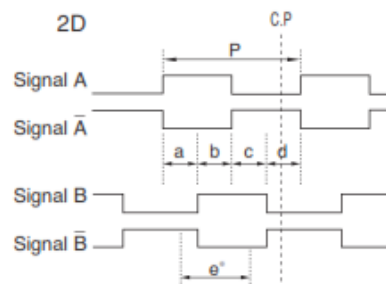


C.P=Click points

For mode 25P/R click point is at each position of a,b,c,d.

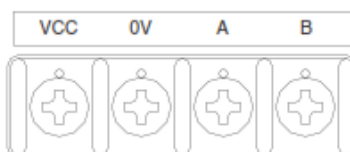
※Point "e" is recommended as the system switching timing.

2D

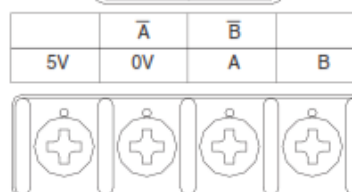


Electrical Connections

2Z1 · 2Z9 · 2H



2D



Mechanical Spec

Starting Torque	1.96×10 ⁻² N·m~5.88×10 ⁻² N·m	
Shaft Loading	Thrust	9.8N
	Radial	19.6N
Maximum Permissible Speed	600min ⁻¹ (Instantaneous) 200min ⁻¹ (Continuous)	
Rotational Life	> 1 million rotations (200min ⁻¹)	
Net Weight	200g Max	

Environmental Spec

Operating Temperature	-10°C~+60°C
Storage Temperature	-20°C~+70°C
Humidity	RH 85% Max No Condensation
Vibration	10~55 Hz / 1.5mm X,Y,Z Each 2h
Shock	490m/s ² ,11ms X, Y, Z Each 3 times
Ingress Protection	IP64(Panel Mounting)

Headquarter Switzerland:
Pewatron AG
Thurgauerstrasse 66
CH-8050 Zurich
Phone +41 44 877 35 00
info@pewatron.com

Office Germany:
Pewatron Deutschland GmbH
Edisonstraße 16
D-85716 Unterschleißheim
Phone +49 89 374 288 87 00
info.de@pewatron.com



PEWATRON
SENSORS · POWER SOLUTIONS

We are here for you. Addresses and Contacts.

Sales Germany & Austria

**Geometrical sensors
Other products**

Kurt Stritzelberger
Phone +49 89 374 288 87 22
kurt.stritzelberger@pewatron.com

**Pressure sensors
Other products**

Gerhard Vetter
Phone +49 89 374 288 87 26
gerhard.vetter@pewatron.com

Gas sensors and modules

Peter Felder
Phone +41 44 877 35 05
peter.felder@pewatron.com

Sales Switzerland & Liechtenstein

Postcode 3000 – 9999

Basil Frei
Phone +41 44 877 35 18
basil.frei@pewatron.com

Postcode 1000 – 2999

Christian Mohrenstecher
Phone +41 76 444 57 93
christian.mohrenstecher@pewatron.com

Sales International Key Accounts

Peter Felder
Phone +41 44 877 35 05
peter.felder@pewatron.com

Sales Other Countries / Product Management

**Pressure Sensors
Load Cells**

Philipp Kistler
Phone +41 44 877 35 03
philipp.kistler@pewatron.com

**Gas sensors
Gas sensor modules**

Dr. Thomas Clausen
Phone +41 44 877 35 13
thomas.clausen@pewatron.com

Flow / Level / Medical products

Dr. Adriano Pittarelli
Phone +49 89 374 288 87 67
adriano.pittarelli@pewatron.com

Power supplies

Sebastiano Leggio
Phone +41 44 877 35 06
sebastiano.leggio@pewatron.com

**Linear position sensors
Angle sensors**

Eric Letsch
Phone +41 44 877 35 14
eric.letsch@pewatron.com

**Accelerometers
Sensor elements**

Christoph Kleye
Phone +49 89 374 288 87 61
christoph.kleye@pewatron.com

Drive technology

CH Postcode 5000 – 9999 / DE

Roman Homa
Phone +41 76 444 00 86
roman.homa@pewatron.com

Drive technology

CH Postcode 1000 – 4999 / AT / IT / FR

Christian Mohrenstecher
Phone +41 76 444 57 93
christian.mohrenstecher@pewatron.com

Harald Thomas

Phone +49 89 374 288 87 23
harald.thomas@pewatron.com