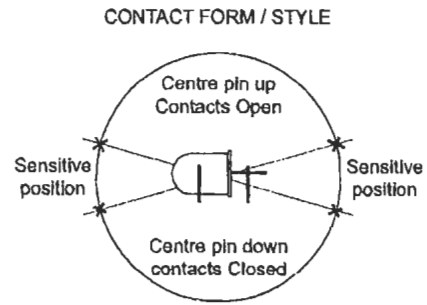
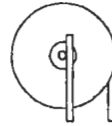
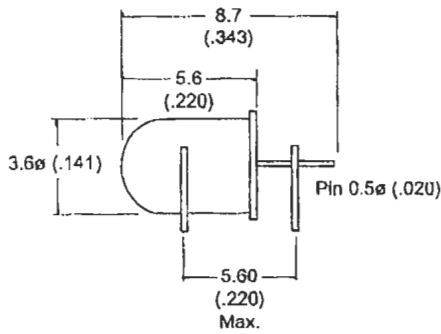


**Comus Group of Companies**

**PRODUCT DATA SHEET**



Contact Form/Style: Switch types CW1600 may have a normally open or closed contact depending on the positioning of the switch. These switches have a change in sensitivity depending on the switch position.

Drawings not to scale  
All dimensions in mm (inches) nominal

**SPECIFICATION**

CONTACT FORM/STYLE		See above
SWITCHING VOLTAGE	Max. Vac	60
SWITCHING CURRENT	Max. A	0.1
SWITCHING CAPACITY	Max. VA	3
CONTACT RESISTANCE	Max. Ω	30
OPERATING TEMPERATURE	Deg. °C	-37° + 100°
STORAGE TEMPERATURE	Deg. °C	-40° + 125°
CASE MATERIAL		Steel-tin plated
CABLE/TERMINATION		Pin
FEATURES		Compact Mercury Free

NOTE: When cutting or bending switch leads it is important that the glass seal is not damaged. The cutting or bending point should be no closer than 3mm to the glass to metal seal and the lead should be supported between the cutting or bending point and the glass to metal seal.

**MOVEMENT / VIBRATION SWITCH**  
**Non Mercury Contacts**

PART NUMBER  
**CW 1600-3**

Rev. No.	Revision Note	Date	Signature
D	Web Site 2001	1-2-01	RG

The Comus Group of Companies consist of:  
Assewtech Europe Limited  
E. Bachem GmbH  
Comus International  
W. Gunther GmbH  
Gunther Belgium  
Gunther France  
S.I.G.

As part of the company policy of continued product improvement, specifications may change without notice. Our sales office will be pleased to help you with the latest information on this product range and details of our full design and manufacturing service. All products are supplied to our standard conditions of sale otherwise agreed in writing.

©2001 Copyright Comus Group of Companies

Headquarter Switzerland:  
Pewatron AG  
Thurgauerstrasse 66  
CH-8050 Zurich  
Phone +41 44 877 35 00  
info@pewatron.com

Office Germany:  
Pewatron Deutschland GmbH  
Edisonstraße 16  
D-85716 Unterschleißheim  
Phone +49 89 374 288 87-0  
info.de@pewatron.com



**PEWATRON**  
SENSORS · POWER SOLUTIONS

## We are here for you. Addresses and Contacts.

---

### Sales Germany & Austria

Postcode 00000 – 31999  
Postcode 38000 – 39999  
Postcode 80000 – 99999  
Austria

Kurt Stritzelberger

Phone +49 89 260 52 80  
Mobile +49 171 803 41 35

kurt.stritzelberger@pewatron.com

Postcode 32000 – 37999  
Postcode 40000 – 79999

Gerhard Vetter

Phone +49 674 394 75 75  
Mobile +49 163 762 74 30

gerhard.vetter@pewatron.com

**Geometrical sensors**  
**Sensor elements**

Thorsten Ravagni

Phone +49 60 479 53 627

thorsten.ravagni@pewatron.com

---

### Sales Switzerland & Liechtenstein

Postcode 3000 – 9999

Basil Frei

Phone +41 44 877 35 18  
Mobile +41 76 279 37 26

basil.frei@pewatron.com

Postcode 1000 – 2999

Christian Mohrenstecher

Mobile +41 76 444 57 93

christian.mohrenstecher@pewatron.com

### Sales International Key Accounts

Peter Felder

Phone +41 44 877 35 05  
Mobile +41 79 406 49 83

peter.felder@pewatron.com

---

### Sales Other Countries / Product Management

#### Pressure Sensors

Philipp Kistler  
Phone +41 44 877 35 03  
philipp.kistler@pewatron.com

#### Accelerometers / Level Flow sensor elements

Thorsten Ravagni  
Phone +49 60 479 53 627  
thorsten.ravagni@pewatron.com

#### Drive technology CH Postcode 5000 – 9999 / DE

Roman Homa  
Mobile +41 76 444 00 86  
roman.homa@pewatron.com

#### Gas sensors / Gas sensor modules Load cells

Dr. Thomas Clausen  
Phone +41 44 877 35 13  
thomas.clausen@pewatron.com

#### Power supplies

Sebastiano Leggio  
Phone +41 44 877 35 06  
sebastiano.leggio@pewatron.com

#### Drive technology CH Postcode 1000 – 4999 / AT / IT / FR

Christian Mohrenstecher  
Mobile +41 76 444 57 93  
christian.mohrenstecher@pewatron.com

#### Flow / Level / Medical products

Dr. Adriano Pittarelli  
Phone +49 8245 774 95 44  
adriano.pittarelli@pewatron.com

#### Linear position sensors Angle sensors

Eric Letsch  
Phone +41 44 877 35 14  
eric.letsch@pewatron.com

#### Current sensors Power solutions

Osman Coban  
Phone +49 71 635 363 898  
osman.coban@pewatron.com