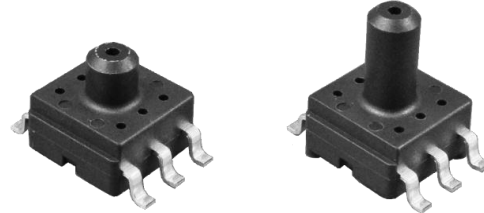


Analog Output (Non-Digitally Corrected) & Single Point Pressure Threshold Detection Semiconductor Pressure Sensor

AG3 Series

Description

The AG3 pressure sensor series is composed of a silicon piezoresistive pressure sensing chip and a signal conditioning integrated circuit. The signal conditioning IC does not have A/D and D/A converter in a gain amplifier. Therefore the AG3 series can provide full analog amplified and temperature compensated output. Moreover the amplification circuit is designed with low noise output. As a unique function, the AG3 series has Single Point Pressure Threshold Detection. Analog output and threshold voltage are supplied to an internal comparator that compares two voltages and outputs a comparison result as digital output.



AG3*3

AG3*6

Features

- Non-digitally amplified and temperature compensated analog output
- Single point pressure threshold detection
- High accuracy $\pm 1.5\%$ FS / 0 to $+60^\circ\text{C}$
- Supply voltage 3.0, 3.3 & 5.0 Vdc
- Miniature 10.3 mm x 7 mm SMT package
- 3 mm and 6 mm port available
- Package compatible with Fujikura's XFGM integrated pressure sensor
- Customization or modification available

Applications

- Medical devices
- Industrial pneumatic devices
- Consumer devices

✓ RoHS Compliant

Device Lineup

Model	Port Length	Pressure Type	Supply Voltage	Accuracy	Pressure Range										
					-100 (-15)	-50 (-7)	0 (3)	25 (7)	50 (15)	100 (30)	200 (70)	500 (100)	700 (150)	1000 (150) psi	
AG3	6 mm or 3 mm	Gauge	5.0 Vdc	$\pm 1.5\%$ FS											
			3.3 Vdc		3.0 Vdc	$\pm 2.0\%$ FS	Same as the above								

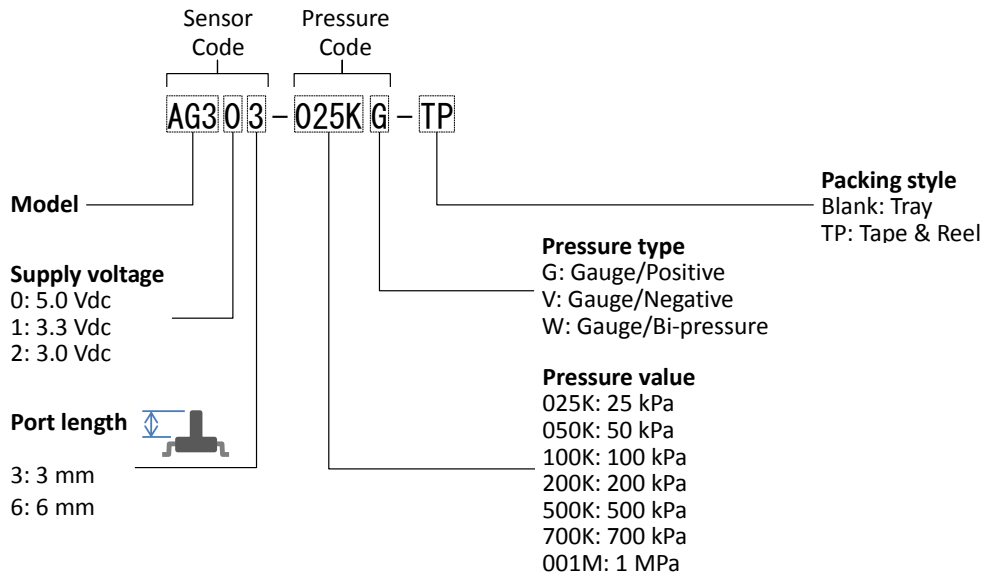
© 2014 Fujikura Ltd. All rights reserved. This data sheet has a possibility to be revised without notice. This data sheet does not contain all information. Before designing, please ask us the specifications of this product.



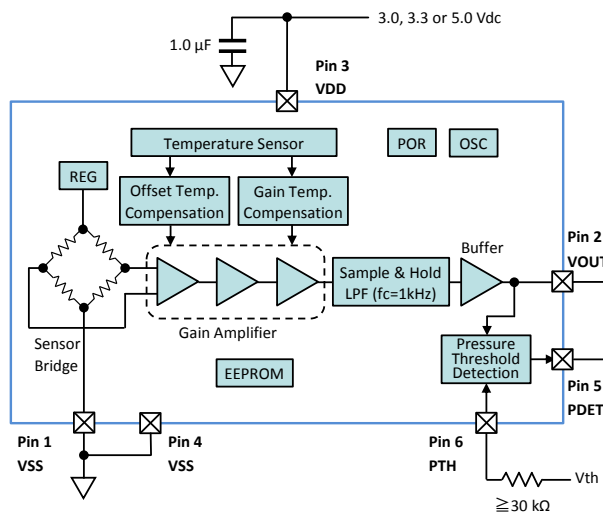
Analog Output (Non-Digitally Corrected) & Single Point Pressure Threshold Detection Semiconductor Pressure Sensor

AG3 Series

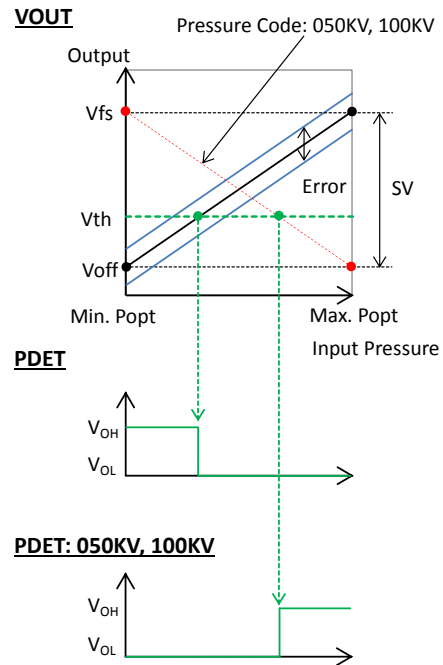
Device Name Code



Block Diagram



Output Characteristics



© 2014 Fujikura Ltd. All rights reserved.
This data sheet has a possibility to be revised without notice. This data sheet does not contain all information. Before designing, please ask us the specifications of this product.



Analog Output (Non-Digitally Corrected) & Single Point Pressure Threshold Detection Semiconductor Pressure Sensor

AG3 Series

Absolute Maximum Ratings

Item	Symbol	Rating	Unit
Supply Voltage	VDDmax	6	Vdc
Input Voltage	VIN	VSS - 0.3 to VDD + 0.3	V
Load Pressure	Pmax+	See Pressure Range Table	
Operating Temperature	Topt	-40 to +105	°C
Storage Temperature	Tstg	-40 to +105	°C

General Specifications

Item	Symbol	Sensor Code			Unit
		AG30*	AG31*	AG32*	
Supply Voltage	VDD	5.0±0.25	3.3±0.165	3.0±0.15	Vdc
Type of Pressure	-	Gauge pressure			
Pressure Media	-	Non-corrosive gases			
Compensated Temperature	-	0 to +60			°C
Operating Humidity	Hopt	30 to 85 (non-condensing)			%RH
Storage Humidity	Hstg	30 to 85 (non-condensing)			%RH

Pressure Range

Item	Symbol	Pressure Code									Unit	
		025KG	050KG	100KG	200KG	500KG	700KG	001MG	050KV	100KV		100KW
Absolute Maximum Load Pressure	Pmax+	+50	+100	+200	+400	+1000	+1400	+1500	+100	+200	+200	kPa
Measurement Pressure	Popt	Min.	0	0	0	0	0	0	-50	-100	-100	
		Max.	+25	+50	+100	+200	+500	+700	+1000	0	0	+100

Electrical Characteristics

Load resistor $R_L = \infty$, Ambient temperature $T_a = 25^\circ\text{C}$

Sensor Code	Item	Condition	Symbol	Rating			Unit
				Min.	Typ.	Max.	
AG30* VDD = 5.0 Vdc	Offset Voltage	Min. Popt, 050KV & 100KV: Max. Popt	Voff	0.1325	0.2	0.2675	V
	Full Scale Voltage	Max. Popt, 050KV & 100KV: Min. Popt	Vfs	4.6325	4.7	4.7675	V
	Span Voltage	Min. to max. Popt	SV	-	4.5	-	V
	Accuracy	0 to 60°C	Error	-1.5	-	+1.5	%FS
	Supply Current		Ic	-	-	6	mAdc
AG31* VDD = 3.3 Vdc	Offset Voltage	Min. Popt, 050KV & 100KV: Max. Popt	Voff	0.2595	0.3	0.3405	V
	Full Scale Voltage	Max. Popt, 050KV & 100KV: Min. Popt	Vfs	2.9595	3.0	3.0405	V
	Span Voltage	Min. to max. Popt	SV	-	2.7	-	V
	Accuracy	0 to 60°C	Error	-1.5	-	+1.5	%FS
	Supply Current		Ic	-	-	5	mAdc
AG32* VDD = 3.0 Vdc	Offset Voltage	Min. Popt, 050KV & 100KV: Max. Popt	Voff	0.096	0.15	0.204	V
	Full Scale Voltage	Max. Popt, 050KV & 100KV: Min. Popt	Vfs	2.796	2.85	2.904	V
	Span Voltage	Min. to max. Popt	SV	-	2.7	-	V
	Accuracy	0 to 60°C	Error	-2.0	-	+2.0	%FS
	Supply Current		Ic	-	-	5	mAdc
Pressure Threshold Detection	Type of Output		PDET	CMOS			
	Threshold Input to PTH		Vth	0.1 x VDD	-	0.9 x VDD	V
	Input Impedance of PTH		Zin	1	-	-	MΩ
	Output from PDET	$V_{OUT} < V_{th}$	V_{OH}	0.9 x VDD	-	-	V
		$V_{OUT} \geq V_{th}$	V_{OL}	-	-	0.1 x VDD	V
	Pressure Hysteresis		Phys	-	0.05 x VDD	-	V
Common	Response Time	for reference	tr	-	2	-	msec.
	Load Resistor	$V_{OUT} - V_{SS}$ or $V_{OUT} - V_{DD}$	RL	9.5	-	-	kΩ
	Load Capacitance	$V_{OUT} - V_{SS}$	CL	-	-	50	nF

© 2014 Fujikura Ltd. All rights reserved.
This data sheet has a possibility to be revised without notice. This data sheet does not contain all information. Before designing, please ask us the specifications of this product.



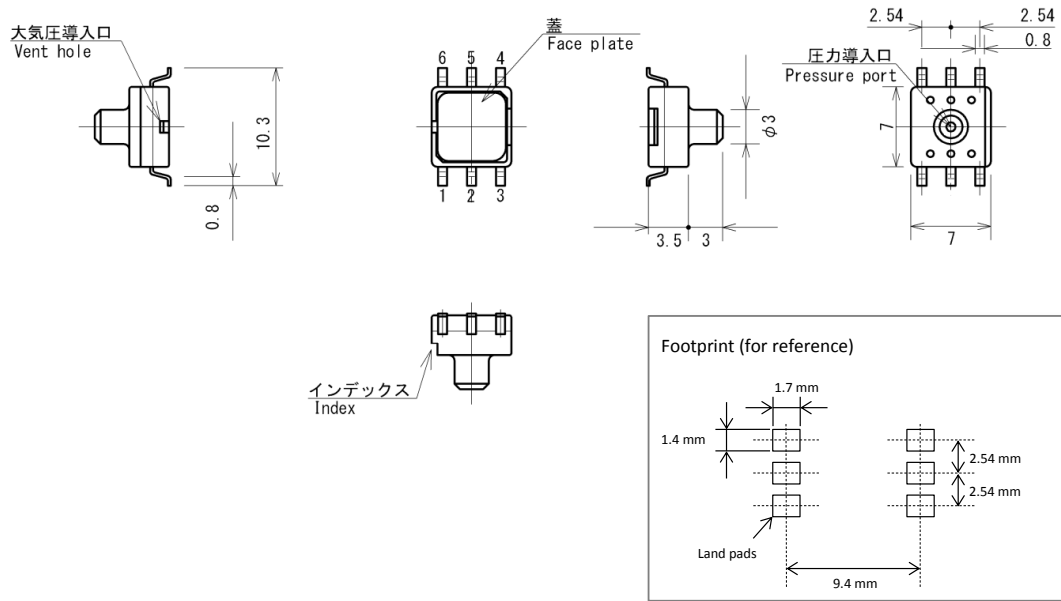
Analog Output (Non-Digitally Corrected) & Single Point Pressure Threshold Detection Semiconductor Pressure Sensor

AG3 Series

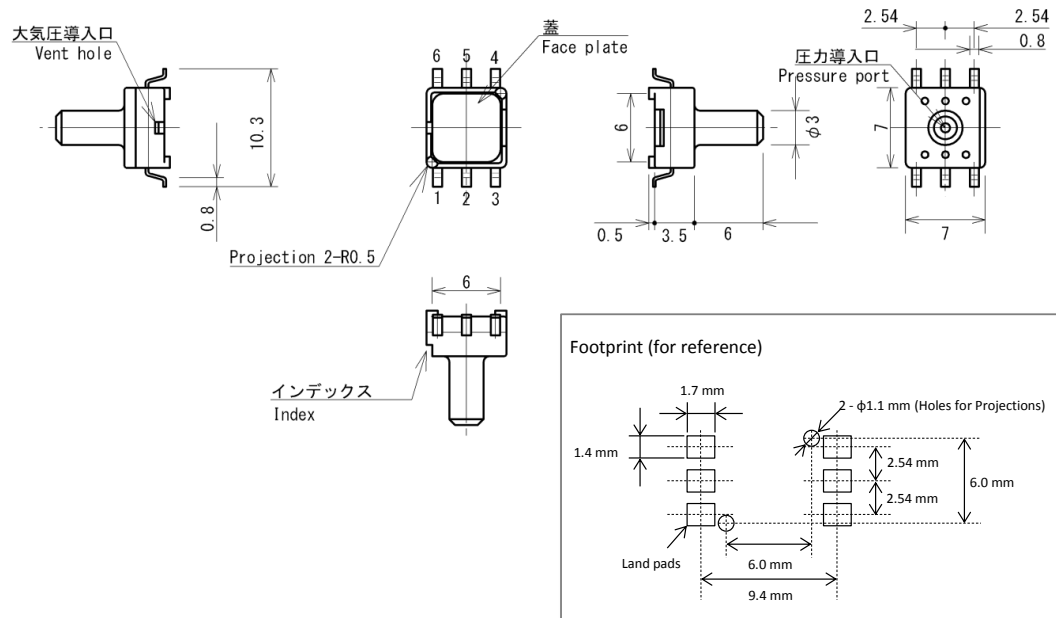
Package Dimensions

unit: mm

Sensor Code: AG3*3



Sensor Code: AG3*6



© 2014 Fujikura Ltd. All rights reserved.
 This data sheet has a possibility to be revised without notice. This data sheet does not contain all information. Before designing, please ask us the specifications of this product.



Headquarter Switzerland:
Pewatron AG
Thurgauerstrasse 66
CH-8050 Zurich
Phone +41 44 877 35 00
info@pewatron.com

Office Germany:
Pewatron Deutschland GmbH
Edisonstraße 16
D-85716 Unterschleißheim
Phone +49 89 374 288 87-0
info.de@pewatron.com



PEWATRON
SENSORS · POWER SOLUTIONS

We are here for you. Addresses and Contacts.

Sales Germany & Austria

Postcode 00000 – 31999
Postcode 38000 – 39999
Postcode 80000 – 99999
Austria

Kurt Stritzelberger

Phone +49 89 260 52 80
Mobile +49 171 803 41 35

kurt.stritzelberger@pewatron.com

Postcode 32000 – 37999
Postcode 40000 – 79999

Gerhard Vetter

Phone +49 674 394 75 75
Mobile +49 163 762 74 30

gerhard.vetter@pewatron.com

Geometrical sensors
Sensor elements

Thorsten Ravagni

Phone +49 60 479 53 627

thorsten.ravagni@pewatron.com

Sales Switzerland & Liechtenstein

Postcode 3000 – 9999

Basil Frei

Phone +41 44 877 35 18
Mobile +41 76 279 37 26

basil.frei@pewatron.com

Postcode 1000 – 2999

Christian Mohrenstecher

Mobile +41 76 444 57 93

christian.mohrenstecher@pewatron.com

Sales International Key Accounts

Peter Felder

Phone +41 44 877 35 05
Mobile +41 79 406 49 83

peter.felder@pewatron.com

Sales Other Countries / Product Management

Pressure Sensors

Philipp Kistler
Phone +41 44 877 35 03
philipp.kistler@pewatron.com

Accelerometers / Level Flow sensor elements

Thorsten Ravagni
Phone +49 60 479 53 627
thorsten.ravagni@pewatron.com

Drive technology CH Postcode 5000 – 9999 / DE

Roman Homa
Mobile +41 76 444 00 86
roman.homa@pewatron.com

Gas sensors / Gas sensor modules Load cells

Dr. Thomas Clausen
Phone +41 44 877 35 13
thomas.clausen@pewatron.com

Power supplies

Sebastiano Leggio
Phone +41 44 877 35 06
sebastiano.leggio@pewatron.com

Drive technology CH Postcode 1000 – 4999 / AT / IT / FR

Christian Mohrenstecher
Mobile +41 76 444 57 93
christian.mohrenstecher@pewatron.com

Flow / Level / Medical products

Dr. Adriano Pittarelli
Phone +49 8245 774 95 44
adriano.pittarelli@pewatron.com

Linear position sensors Angle sensors

Eric Letsch
Phone +41 44 877 35 14
eric.letsch@pewatron.com

Current sensors Power solutions

Osman Coban
Phone +49 71 635 363 898
osman.coban@pewatron.com