

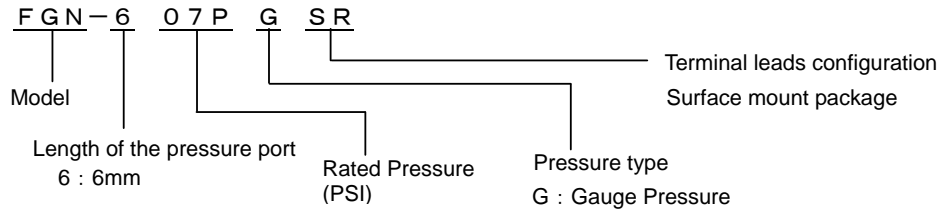
### ■ Features

Surface mount package

### ■ Applications

- Home use Non-Invasive Blood Pressure (NIBP) monitors
- Vacuum cleaner
- Washing machine

### ■ Part number for ordering



**RoHS compliance**

Measurable pressure range(kPa)	Part number for ordering
-13.79~13.79	FGN-602PGSR
-34.47~34.47	FGN-605PGSR
-48.26~48.26	FGN-607PGSR

### ■ Specifications

Model	602PG	605PG	607PG	Unit
<b>Recommended operating conditions</b>				
Pressure type	Gauge pressure			—
Rated pressure	13.79	34.47	48.26	kPa
Measurable pressure range	-13.79~13.79	-34.47~34.47	-48.26~48.26	kPa
Temperature range	0~50			°C
Pressure media	Non-corrosive gases only (No liquid)			—
Excitation current (Constant)	1.5			mADC
<b>Absolute maximum rating</b>				
Maximum load pressure	Twice of rated pressure			—
Maximum excitation current	3.0			mADC
Operating temperature	0~80			°C
Storage temperature	-20~100			°C
Operating humidity	30~80 (Non dew condition)			%RH
<b>Electric characteristics (Drive Current 1.5mA constant , ambient temperature Ta=25°C)</b>				
Output span voltage	40~130 (at 0kPa~rated pressure)			mV
Offset voltage	±25 (at 0kPa)			mV
Bridge resistance	4000~6000			Ω
Response time	2 (for the reference)			msec
Accuracy	TSO*	±10	±8	%FS/0~50°C
	TCS*	5.0	2.5	%FS/0~50°C
	Linearity	±0.6	±0.3	%FS
	Pressure hysteresis	±1.0	±0.7	%FS

\*TSO: Temperature sensitivity of offset voltage

\*TCS: Temperature coefficient of output span voltage

\*Temperature range from 0-50 deg C

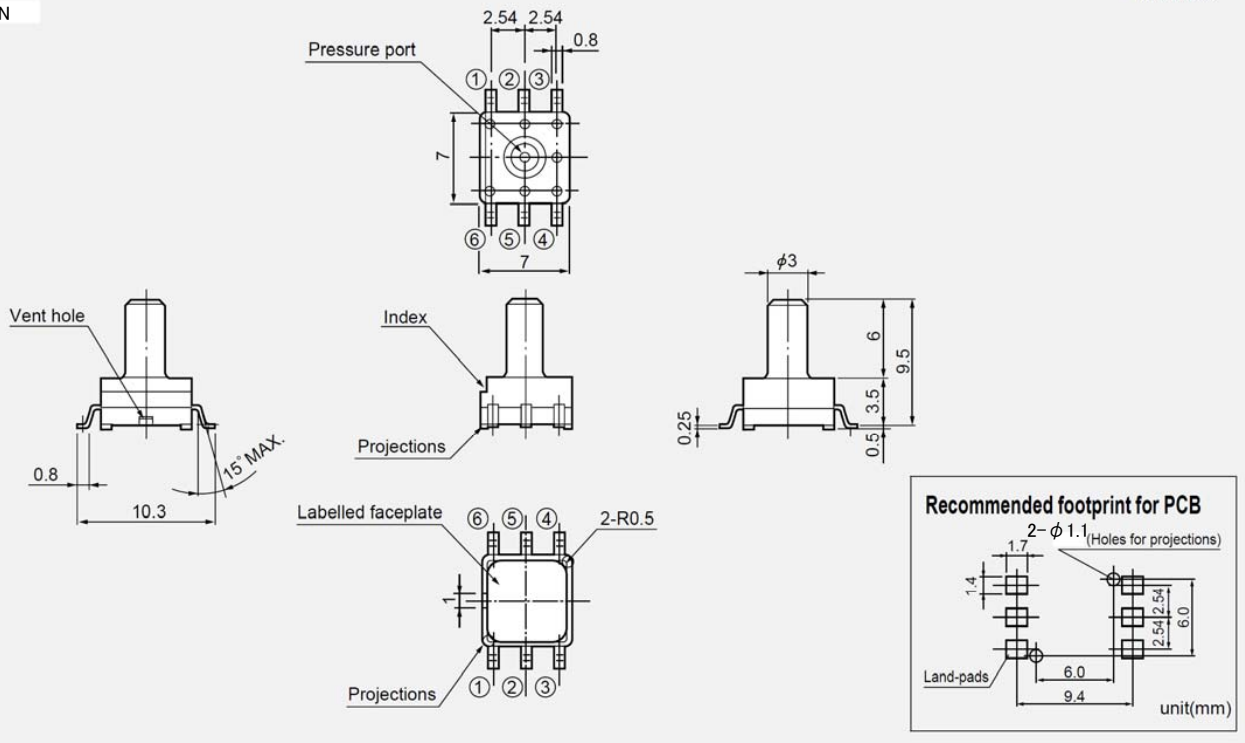
Sensing element / Gauge

FGN Data sheet

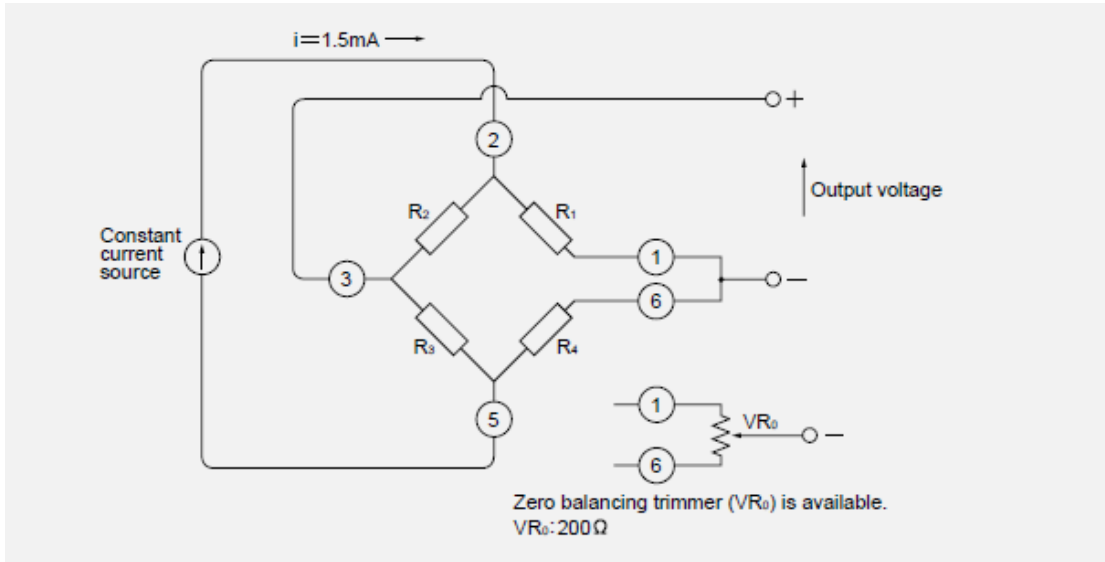
Outline dimensions

unit(mm)

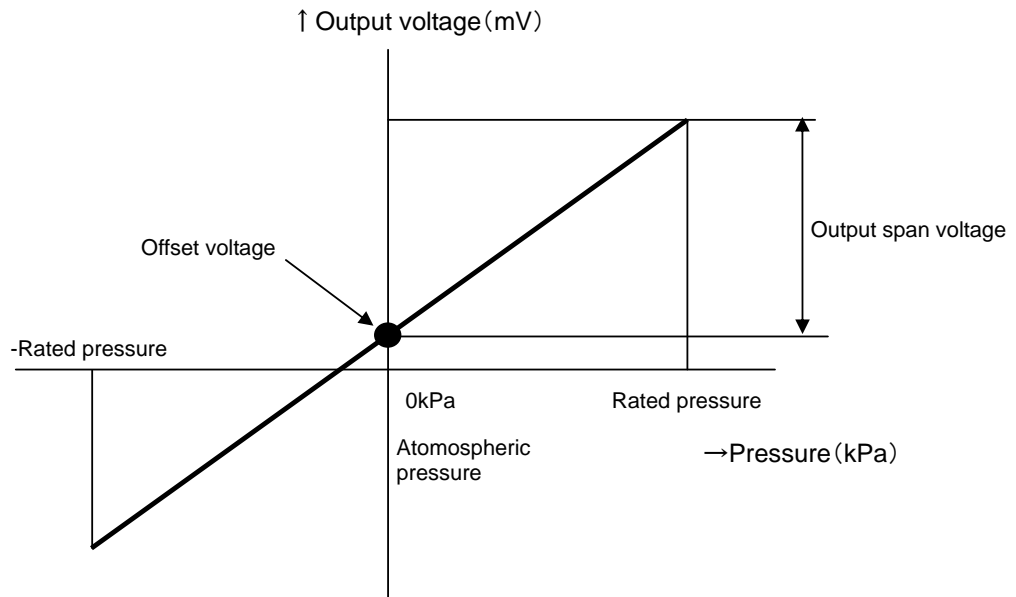
FGN



Connection diagram



■ Output characteristics ■



Note ; Please read instruction "Notes" before using the sensor.  
Fujikura reserves the right to change specifications without notice.

If you have any questions regarding technical issues or specifications, please contact us.  
Sensor Engineering Department 5-1 Kiba 1-chome, Koto-ku, Tokyo 135-8512, Japan  
Phone +81-(0)3-5606-1072  
E-mail : [sensor@fujikura.co.jp](mailto:sensor@fujikura.co.jp)

Headquarter Switzerland:  
Pewatron AG  
Thurgauerstrasse 66  
CH-8050 Zurich  
Phone +41 44 877 35 00  
info@pewatron.com

Office Germany:  
Pewatron Deutschland GmbH  
Edisonstraße 16  
D-85716 Unterschleißheim  
Phone +49 89 374 288 87 00  
info.de@pewatron.com



**PEWATRON**  
SENSORS · POWER SOLUTIONS

## We are here for you. Addresses and Contacts.

---

### Sales Germany & Austria

#### Geometrical sensors Other products

Kurt Stritzelberger  
Phone +49 89 374 288 87 22  
kurt.stritzelberger@pewatron.com

#### Pressure sensors Other products

Gerhard Vetter  
Phone +49 89 374 288 87 26  
gerhard.vetter@pewatron.com

#### Gas sensors and modules

Peter Felder  
Phone +41 44 877 35 05  
peter.felder@pewatron.com

---

### Sales Switzerland & Liechtenstein

Postcode 3000 – 9999

Basil Frei  
Phone +41 44 877 35 18  
basil.frei@pewatron.com

Postcode 1000 – 2999

Christian Mohrenstecher  
Phone +41 76 444 57 93  
christian.mohrenstecher@pewatron.com

### Sales International Key Accounts

Peter Felder  
Phone +41 44 877 35 05  
peter.felder@pewatron.com

---

### Sales Other Countries / Product Management

#### Pressure Sensors Load Cells

Philipp Kistler  
Phone +41 44 877 35 03  
philipp.kistler@pewatron.com

#### Gas sensors Gas sensor modules

Dr. Thomas Clausen  
Phone +41 44 877 35 13  
thomas.clausen@pewatron.com

#### Flow / Level / Medical products

Dr. Adriano Pittarelli  
Phone +49 89 374 288 87 67  
adriano.pittarelli@pewatron.com

#### Power supplies

Sebastiano Leggio  
Phone +41 44 877 35 06  
sebastiano.leggio@pewatron.com

#### Linear position sensors Angle sensors

Eric Letsch  
Phone +41 44 877 35 14  
eric.letsch@pewatron.com

#### Accelerometers Sensor elements

Christoph Kleye  
Phone +49 89 374 288 87 61  
christoph.kleye@pewatron.com

#### Drive technology

CH Postcode 5000 – 9999 / DE

Roman Homa  
Phone +41 76 444 00 86  
roman.homa@pewatron.com

#### Drive technology

CH Postcode 1000 – 4999 / AT / IT / FR

Christian Mohrenstecher  
Phone +41 76 444 57 93  
christian.mohrenstecher@pewatron.com

---

#### Harald Thomas

Phone +49 89 374 288 87 23  
harald.thomas@pewatron.com