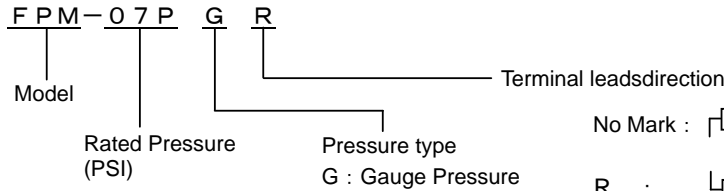


■ Features

Dual-in-line package (DIP)

■ Part number for ordering



RoHS compliance

Measurable pressure range(kPa)	Part number for ordering	
-13.79~13.79	FPM-02PG	FPM-02PGR
-34.47~34.47	FPM-05PG	FPM-05PGR
-48.26~48.26	FPM-07PG	FPM-07PGR
-98.07~103.4	FPM-15PG	FPM-15PGR
-98.07~206.8	FPM-30PG	FPM-30PGR
-98.07~344.7	FPM-50PG	FPM-50PGR
-98.07~482.6	FPM-70PG	FPM-70PGR
-98.07~827.4	FPM-120PG	FPM-120PGR

■ Specifications

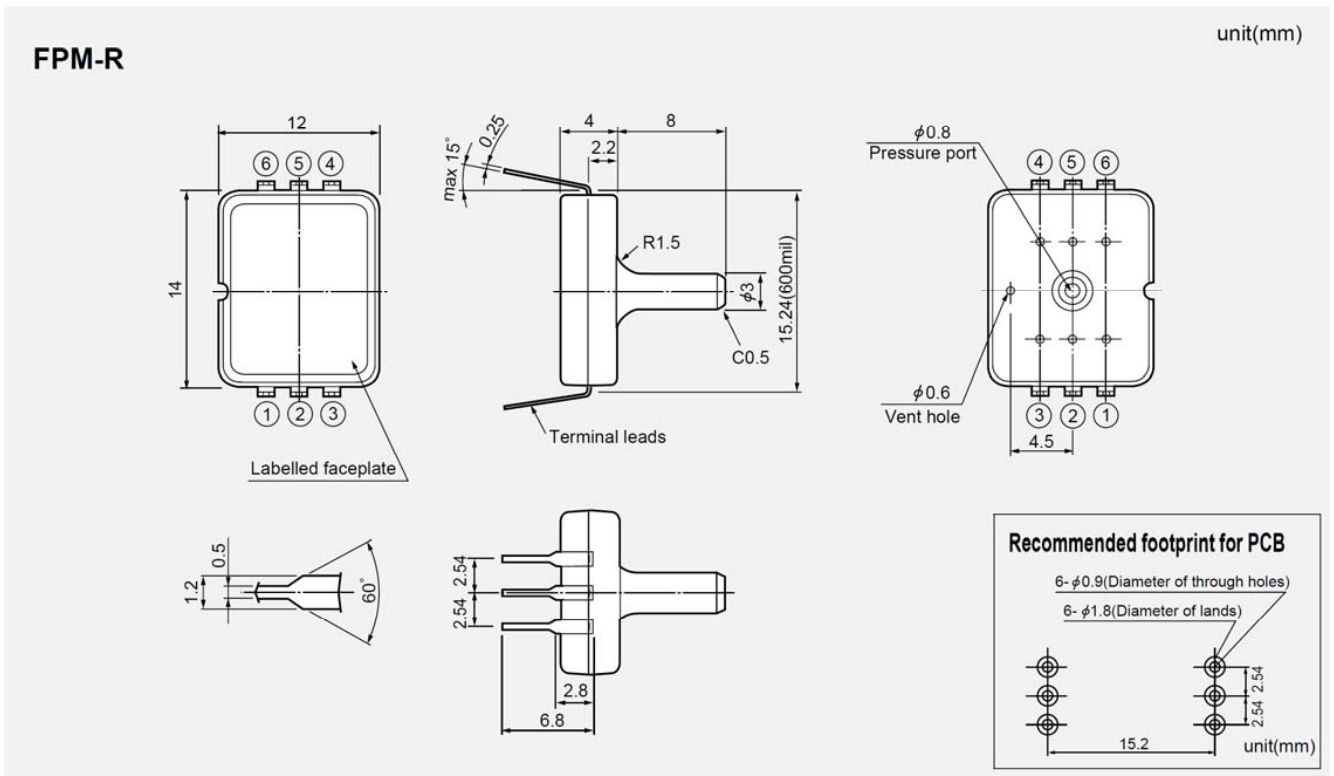
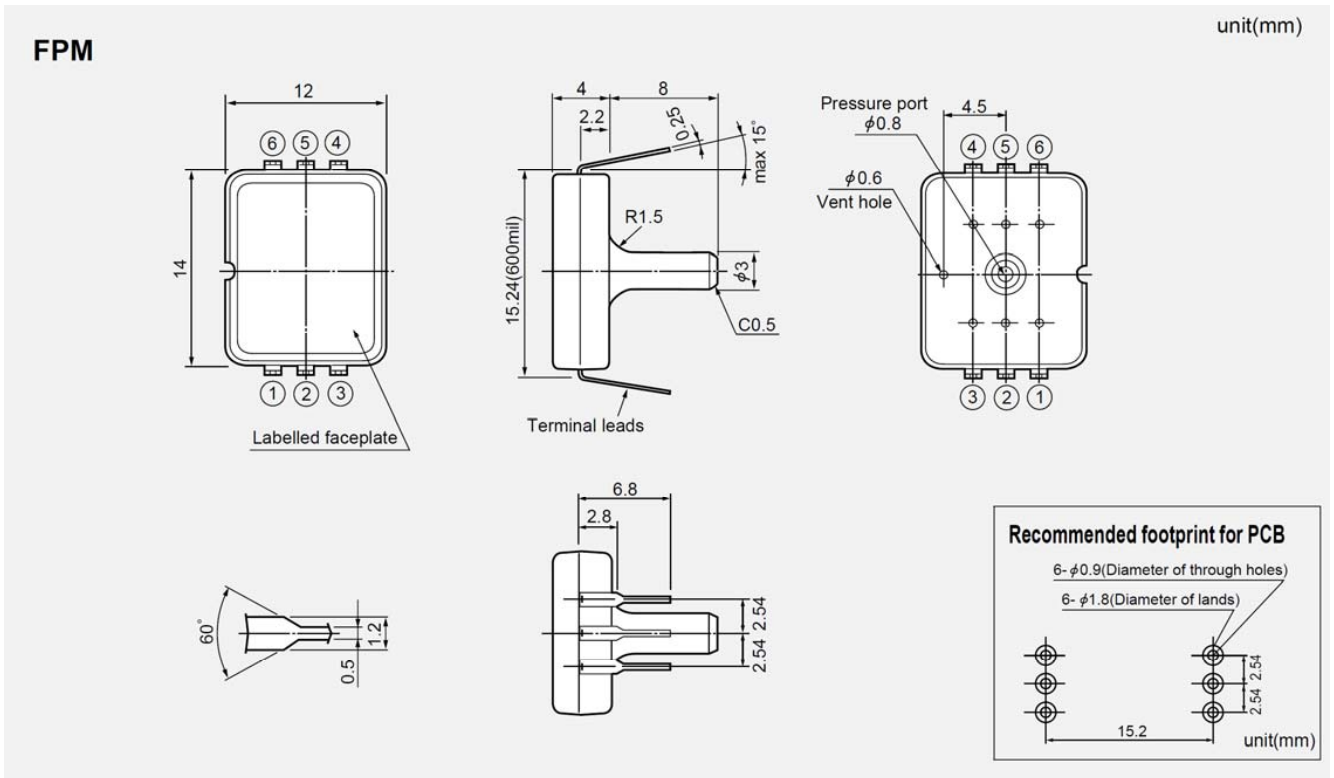
Model	02PG	05PG	07PG	15PG	30PG	50PG	70PG	120PG	Unit	
Recommended operating conditions										
Pressure type	Gauge pressure								—	
Rated pressure	13.79	34.47	48.26	103.4	206.8	344.7	482.6	827.4	kPa	
Measurable pressure range	-13.79 ~13.79	-34.47 ~34.47	-48.26 ~48.26	-98.07 ~103.4	-98.07~ 206.8	-98.07~ 344.7	-98.07~ 482.6	-98.07~ 827.4	kPa	
Temperature range	0~50								°C	
Pressure media	Non-corrosive gases only (No liquid)								—	
Excitation current (Constant)	1.5								mADC	
Absolute maximum rating										
Maximum load pressure	Twice of rated pressure							1.5 times of rating pressure	—	
Maximum excitation current	3.0								mADC	
Operating temperature	-20~100								°C	
Storage temperature	-40~120								°C	
Operating humidity	30~80 (Non dew condition)								%RH	
Electric characteristics (Drive Current 1.5mA constant, ambient temperature Ta=25°C)										
Output span voltage	60~140 (at 0kPa~rated pressure)								mV	
Offset voltage	±20 (at 0kPa)								mV	
Bridge resistance	4000~6000								Ω	
Response time	2 (for the reference)								msec	
Accuracy	TSO*								±5	%FS/ 0~50°C
	TCS*								2.5	
	Linearity		±0.5	±0.3			±0.5	±0.6	%FS	
	Pressure hysteresis		±0.4	±0.2			±0.4		%FS	

*TSO: Temperature sensitivity of offset voltage

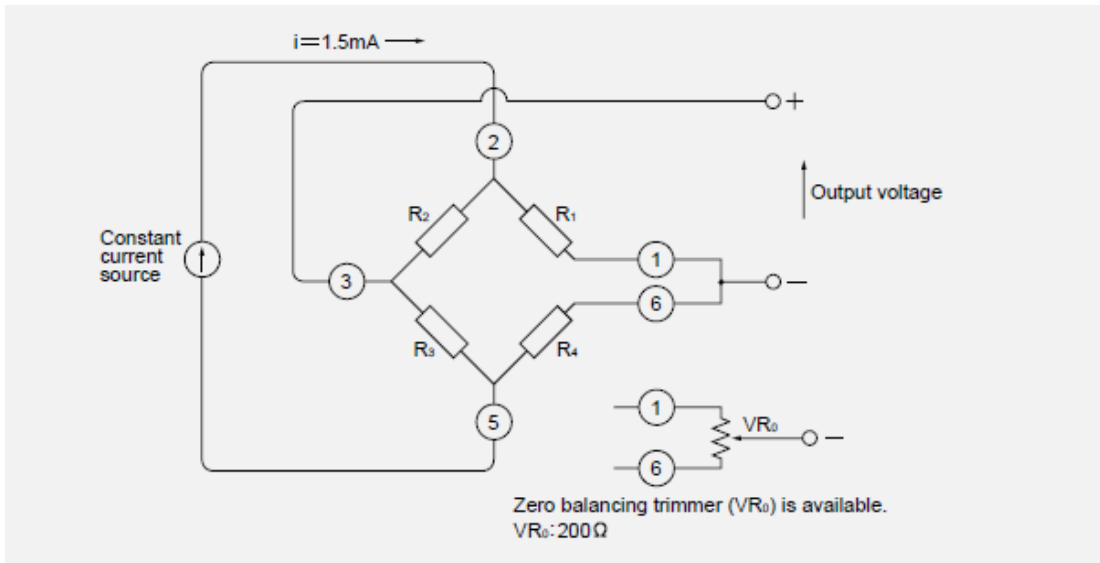
*TCS: Temperature coefficient of output span voltage

*Temperature range from 0-50 deg C

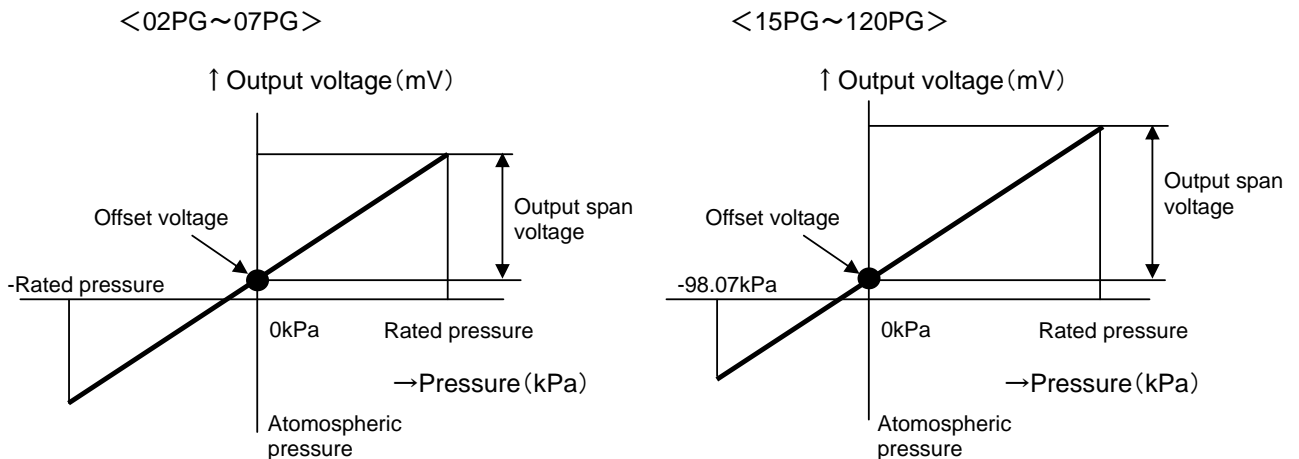
■ Outline dimensions ■



■ Connection diagram ■



■ Output characteristics ■



Note ; Please read instruction "Notes" before using the sensor.
Fujikura reserves the right to change specifications without notice.

If you have any questions regarding technical issues or specifications, please contact us.
Sensor Engineering Department 5-1 Kiba 1-chome, Koto-ku, Tokyo 135-8512, Japan
Phone +81-(0)3-5606-1072
E-mail : sensor@fujikura.co.jp

Headquarter Switzerland:
Pewatron AG
Thurgauerstrasse 66
CH-8050 Zurich
Phone +41 44 877 35 00
info@pewatron.com

Office Germany:
Pewatron Deutschland GmbH
Edisonstraße 16
D-85716 Unterschleißheim
Phone +49 89 374 288 87-0
info.de@pewatron.com



PEWATRON
SENSORS · POWER SOLUTIONS

We are here for you. Addresses and Contacts.

Sales Germany & Austria

Postcode 00000 – 31999
Postcode 38000 – 39999
Postcode 80000 – 99999
Austria

Kurt Stritzelberger

Phone +49 89 260 52 80
Mobile +49 171 803 41 35

kurt.stritzelberger@pewatron.com

Postcode 32000 – 37999
Postcode 40000 – 79999

Gerhard Vetter

Phone +49 674 394 75 75
Mobile +49 163 762 74 30

gerhard.vetter@pewatron.com

Geometrical sensors
Sensor elements

Thorsten Ravagni

Phone +49 60 479 53 627

thorsten.ravagni@pewatron.com

Sales Switzerland & Liechtenstein

Postcode 3000 – 9999

Basil Frei

Phone +41 44 877 35 18
Mobile +41 76 279 37 26

basil.frei@pewatron.com

Postcode 1000 – 2999

Christian Mohrenstecher

Mobile +41 76 444 57 93

christian.mohrenstecher@pewatron.com

Sales International Key Accounts

Peter Felder

Phone +41 44 877 35 05
Mobile +41 79 406 49 83

peter.felder@pewatron.com

Sales Other Countries / Product Management

Pressure Sensors

Philipp Kistler
Phone +41 44 877 35 03
philipp.kistler@pewatron.com

Accelerometers / Level Flow sensor elements

Thorsten Ravagni
Phone +49 60 479 53 627
thorsten.ravagni@pewatron.com

Drive technology CH Postcode 5000 – 9999 / DE

Roman Homa
Mobile +41 76 444 00 86
roman.homa@pewatron.com

Gas sensors / Gas sensor modules Load cells

Dr. Thomas Clausen
Phone +41 44 877 35 13
thomas.clausen@pewatron.com

Power supplies

Sebastiano Leggio
Phone +41 44 877 35 06
sebastiano.leggio@pewatron.com

Drive technology CH Postcode 1000 – 4999 / AT / IT / FR

Christian Mohrenstecher
Mobile +41 76 444 57 93
christian.mohrenstecher@pewatron.com

Flow / Level / Medical products

Dr. Adriano Pittarelli
Phone +49 8245 774 95 44
adriano.pittarelli@pewatron.com

Linear position sensors Angle sensors

Eric Letsch
Phone +41 44 877 35 14
eric.letsch@pewatron.com

Current sensors Power solutions

Osman Coban
Phone +49 71 635 363 898
osman.coban@pewatron.com