

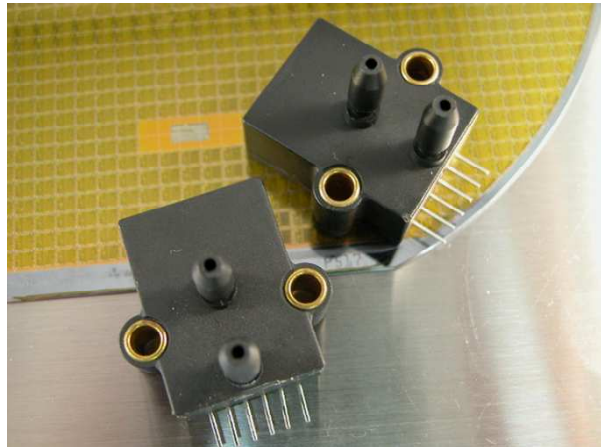
Solid State Pressure Sensor

ANALOG
OUTPUT

STX Series – Model 13A Low Pressure

FEATURES

- Dual-in-line Package
- Calibrated Span and Offset
- Rigid Nylon Package
- 0.15 PSI to 3.0 PSI
- Flow meters, breathing equipment



DESCRIPTION

The STX 13A Series is a smart pressure sensor with a calibrated and amplified analog output. Compensation of sensor offset, sensitivity, temperature drift and nonlinearity is accomplished in the factory via the latest ASIC technology with calibration coefficients stored in an on-chip EEPROM.

A variety of output configurations, including response time and voltage levels are available to provide a simple and ready-to-use solution for a wide range of applications. The low voltage version operates from 2.7 to 3.3V while the regular version operates from 4.5 to 5.5V.

The STX 13A Series, are specifically intended for **low to very low pressures**. The lowest pressure ranges available are **0.5 inH₂O** and **1 mbar**. Custom ranges and calibrations are available. Please contact the factory for details.

Characteristics

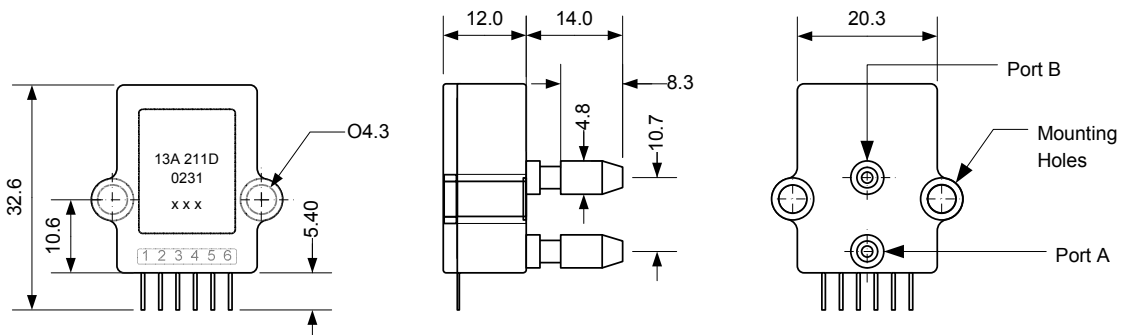
Unless otherwise specified, all parameters are measured at 25 °C, 60% RH and 5Vdc excitation

Parameters	Min	Typ	Max	Unit
Supply Voltage ^{Note 1}	2.7 to 3.3		4.5 to 5.5	V
Supply Current			2.5	mA
Zero Output	0.412	0.500	0.588	V
Span Output		4.00		V
Linearity		±0.5		% FS
Accuracy ^{Note 2,6}			2.2	% FS
Response Time		1	2	ms
Thermal Hysteresis		±0.2		% FS
Over Pressure ^{Note 5}			3X or 2.5 psi	Rated Pressure
Temp - Compensated	0		+50	°C
Temp - Operating	-20		+85	°C
Temp - Storage	-40		+125	°C

Notes:

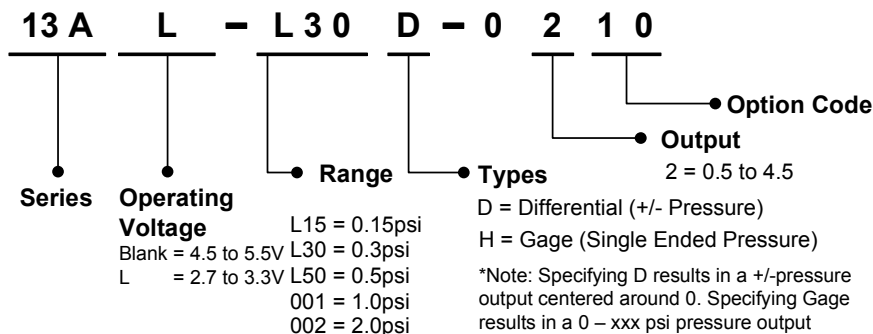
1. Specify desired operating voltage range when ordering. Output is ratiometric to supply voltage
2. Accuracy includes non-linearity, hysteresis, TCS and TCO inside the compensated temperature range, best fit straight line definition
3. Wetted material Port A: Ceramic, Au, glass, silicon, RTV, Nickel and Epoxy
4. Wetted material Port B: Ceramic, silicon, glass and RTV
5. Whichever is higher
6. Accuracy for 0.15 psi range is 2.7%FS

Dimensions



Notes:
 Solder reflow max.: 250 °C 5s
 All dimensions in mm
 Port B is used for positive gage and differential

Ordering Information



Pin #	Description
1	SUP
2	N.C.
3	N.C.
4	N.C.
5	GND
6	OUT

NOTE: A 0.1uF capacitor must be connected between SUP and GND
 N.C. pins must be left floating

Headquarter Switzerland:
Pewatron AG
Thurgauerstrasse 66
CH-8050 Zurich
Phone +41 44 877 35 00
info@pewatron.com

Office Germany:
Pewatron Deutschland GmbH
Edisonstraße 16
D-85716 Unterschleißheim
Phone +49 89 374 288 87-0
info.de@pewatron.com



PEWATRON
SENSORS · POWER SOLUTIONS

We are here for you. Addresses and Contacts.

Sales Germany & Austria

Postcode 00000 – 31999
Postcode 38000 – 39999
Postcode 80000 – 99999
Austria

Kurt Stritzelberger

Phone +49 89 260 52 80
Mobile +49 171 803 41 35

kurt.stritzelberger@pewatron.com

Postcode 32000 – 37999
Postcode 40000 – 79999

Gerhard Vetter

Phone +49 674 394 75 75
Mobile +49 163 762 74 30

gerhard.vetter@pewatron.com

Geometrical sensors
Sensor elements

Thorsten Ravagni

Phone +49 60 479 53 627

thorsten.ravagni@pewatron.com

Sales Switzerland & Liechtenstein

Postcode 3000 – 9999

Basil Frei

Phone +41 44 877 35 18
Mobile +41 76 279 37 26

basil.frei@pewatron.com

Postcode 1000 – 2999

Christian Mohrenstecher

Mobile +41 76 444 57 93

christian.mohrenstecher@pewatron.com

Sales International Key Accounts

Peter Felder

Phone +41 44 877 35 05
Mobile +41 79 406 49 83

peter.felder@pewatron.com

Sales Other Countries / Product Management

Pressure Sensors

Philipp Kistler
Phone +41 44 877 35 03
philipp.kistler@pewatron.com

Accelerometers / Level Flow sensor elements

Thorsten Ravagni
Phone +49 60 479 53 627
thorsten.ravagni@pewatron.com

Drive technology CH Postcode 5000 – 9999 / DE

Roman Homa
Mobile +41 76 444 00 86
roman.homa@pewatron.com

Gas sensors / Gas sensor modules Load cells

Dr. Thomas Clausen
Phone +41 44 877 35 13
thomas.clausen@pewatron.com

Power supplies

Sebastiano Leggio
Phone +41 44 877 35 06
sebastiano.leggio@pewatron.com

Drive technology CH Postcode 1000 – 4999 / AT / IT / FR

Christian Mohrenstecher
Mobile +41 76 444 57 93
christian.mohrenstecher@pewatron.com

Flow / Level / Medical products

Dr. Adriano Pittarelli
Phone +49 8245 774 95 44
adriano.pittarelli@pewatron.com

Linear position sensors Angle sensors

Eric Letsch
Phone +41 44 877 35 14
eric.letsch@pewatron.com

Current sensors Power solutions

Osman Coban
Phone +49 71 635 363 898
osman.coban@pewatron.com