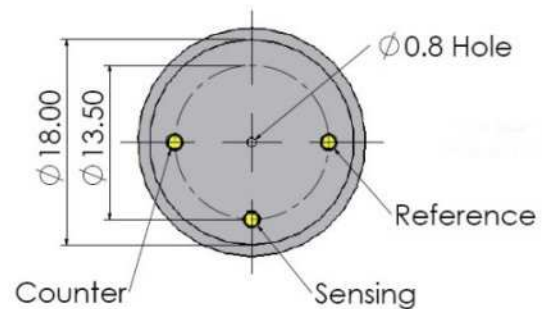
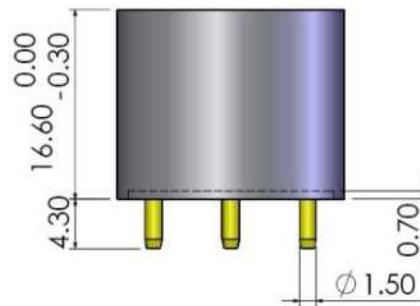
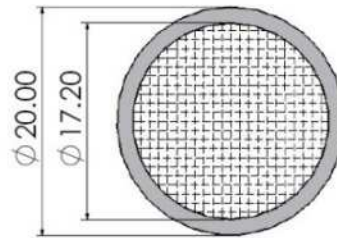




OUTLINE (Dimensions in millimetres)

Tolerances ± 0.15 mm unless stated.



PERFORMANCE

Range	0 - 30% O ₂
Over-range	100% O ₂
Resolution	0.1% O ₂
Expected lifetime (see note 1)	>36 months
Output signal in 20.9% O ₂	300 – 400 μ A
Output signal in N ₂	40 μ A
Linearity	see Fig. 3 (as predicted - inverse log response)
Response time (T ₉₀)	<15 s
Temperature range	-20 to +55 °C
Temperature coefficient (see Fig 1)	<0.5% signal/°C
Pressure range	90 - 110 kPa (nominal)
Pressure coefficient	0.07% typical signal per kPa change
Humidity range	15 - 95% RH (non-condensing)
Long-term Output drift	<2% change in output per month
Operating circuit (see note 2)	see Electrochemical Sensors Application Note 5

NOTES

1. The sensor lifetime is **not** limited by the mass of a sacrificial anode.
2. This sensor requires a negative bias of -600 mV between the working and reference electrodes.

PHYSICAL CHARACTERISTICS

Label colour	silver
Weight	6 g
Dimensions	see outline
Shelf life	6 months

Important Note

Do not solder to the connector pins as this may damage the sensor and thereby invalidate the warranty.

Details on recommended connector pins can be found in the Frequently Asked Questions within the Gas Sensor section of the SGX Sensortech website.

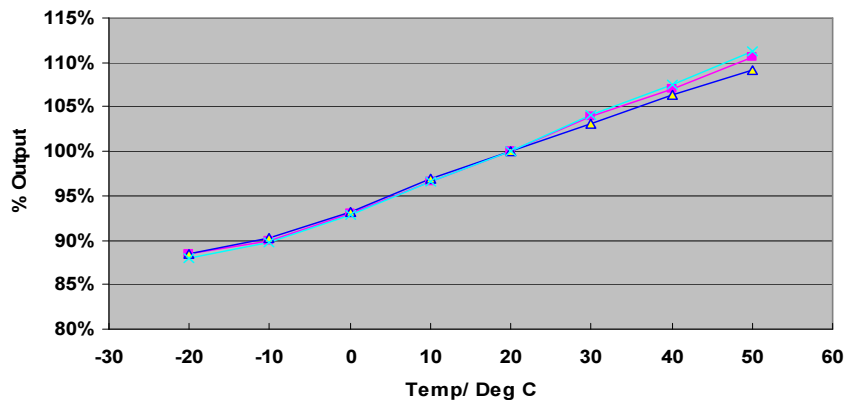


Fig. 1 – EC410 % Sensor Response (c.f. 20 °C) versus Ambient Temperature

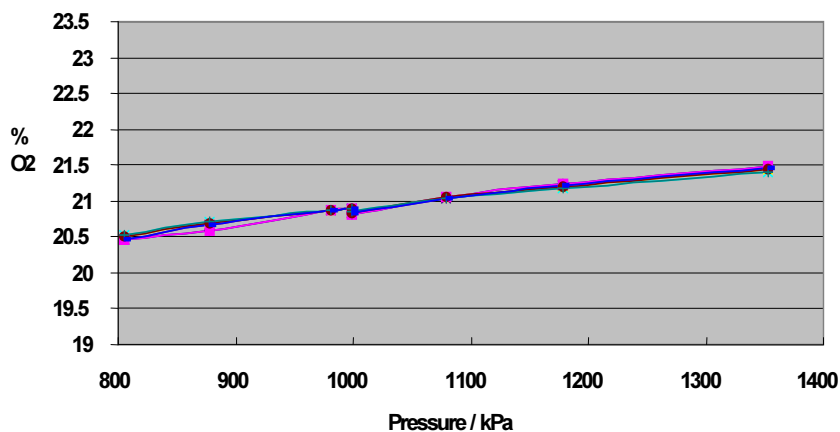


Fig. 2 – EC410 % Oxygen versus Pressure

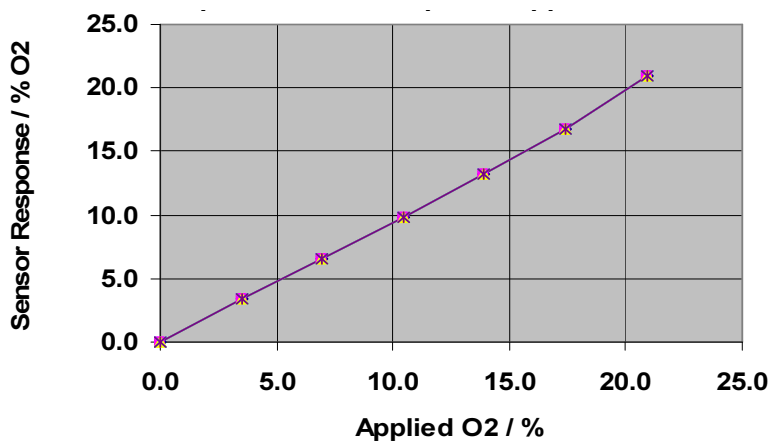


Fig. 3 – Oxygen Sensor Linearity Test – Sensor Response versus Applied Oxygen

Headquarter Switzerland:
Pewatron AG
Thurgauerstrasse 66
CH-8050 Zurich
Phone +41 44 877 35 00
info@pewatron.com

Office Germany:
Pewatron Deutschland GmbH
Edisonstraße 16
D-85716 Unterschleißheim
Phone +49 89 374 288 87-0
info.de@pewatron.com



PEWATRON
SENSORS · POWER SOLUTIONS

We are here for you. Addresses and Contacts.

Sales Germany & Austria

Postcode 00000 – 31999
Postcode 38000 – 39999
Postcode 80000 – 99999
Austria

Kurt Stritzelberger

Phone +49 89 260 52 80
Mobile +49 171 803 41 35

kurt.stritzelberger@pewatron.com

Postcode 32000 – 37999
Postcode 40000 – 79999

Gerhard Vetter

Phone +49 674 394 75 75
Mobile +49 163 762 74 30

gerhard.vetter@pewatron.com

Geometrical sensors
Sensor elements

Thorsten Ravagni

Phone +49 60 479 53 627

thorsten.ravagni@pewatron.com

Sales Switzerland & Liechtenstein

Postcode 3000 – 9999

Basil Frei

Phone +41 44 877 35 18
Mobile +41 76 279 37 26

basil.frei@pewatron.com

Postcode 1000 – 2999

Christian Mohrenstecher

Mobile +41 76 444 57 93

christian.mohrenstecher@pewatron.com

Sales International Key Accounts

Peter Felder

Phone +41 44 877 35 05
Mobile +41 79 406 49 83

peter.felder@pewatron.com

Sales Other Countries / Product Management

Pressure Sensors

Philipp Kistler
Phone +41 44 877 35 03
philipp.kistler@pewatron.com

Accelerometers / Level Flow sensor elements

Thorsten Ravagni
Phone +49 60 479 53 627
thorsten.ravagni@pewatron.com

Drive technology CH Postcode 5000 – 9999 / DE

Roman Homa
Mobile +41 76 444 00 86
roman.homa@pewatron.com

Gas sensors / Gas sensor modules Load cells

Dr. Thomas Clausen
Phone +41 44 877 35 13
thomas.clausen@pewatron.com

Power supplies

Sebastiano Leggio
Phone +41 44 877 35 06
sebastiano.leggio@pewatron.com

Drive technology CH Postcode 1000 – 4999 / AT / IT / FR

Christian Mohrenstecher
Mobile +41 76 444 57 93
christian.mohrenstecher@pewatron.com

Flow / Level / Medical products

Dr. Adriano Pittarelli
Phone +49 8245 774 95 44
adriano.pittarelli@pewatron.com

Linear position sensors Angle sensors

Eric Letsch
Phone +41 44 877 35 14
eric.letsch@pewatron.com

Current sensors Power solutions

Osman Coban
Phone +49 71 635 363 898
osman.coban@pewatron.com