

CRS07 (unpackaged)

Angular Rate Sensor



A robust and affordable mass-produced miniature gyroscope for applications in which space is critical.

Angular rate sensors are used wherever rate of turn sensing is required without a fixed point of reference. The sensor will output a DC voltage proportional to the rate of turn and input voltage.

High performance motion sensing even under severe shock and vibration.

Whatever your application, the unique silicon ring technology, coupled with closed loop electronics, gives advanced and stable performance over time and temperature, overcoming the mount sensitivity problems experienced with simple beam or tuning fork based sensors.

Key Features

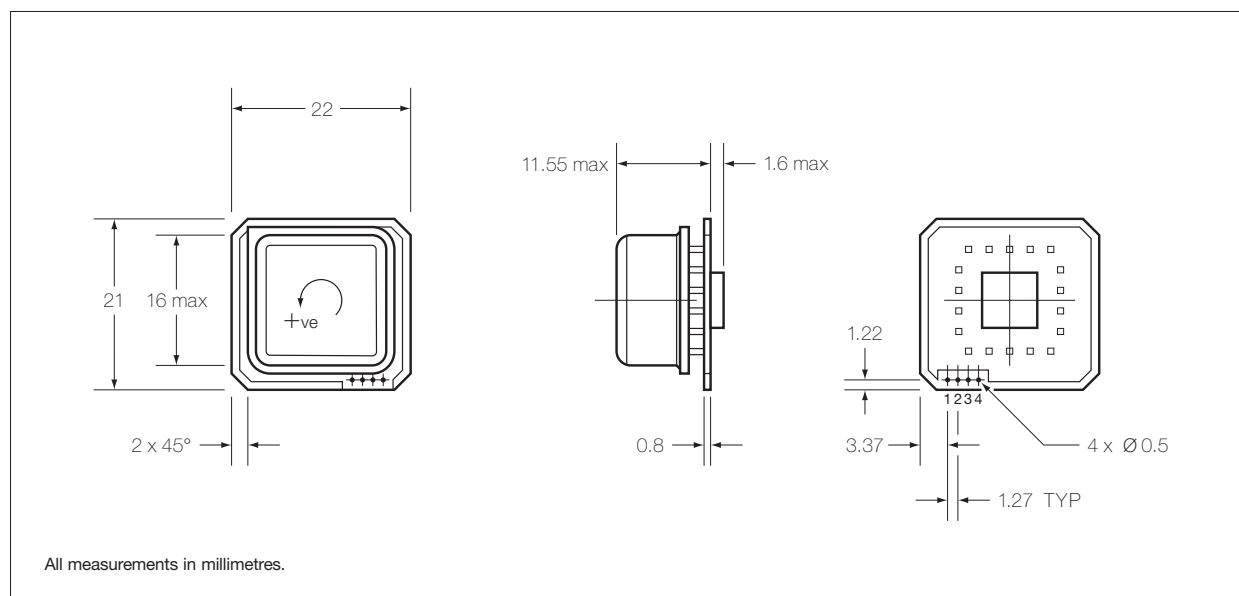
- Ultra-small size
- High rate range option
- Excellent performance over temperature
- Repeatable drift characteristic
- High shock and vibration operation



© Silicon Sensing is an Atlantic Inertial Systems, Sumitomo Precision Products joint venture company

CRS07 (unpackaged)

Angular Rate Sensor



Specification

Specification (Typical Data)	CRS07-11S	CRS07-13S
Angular Rate Range	$\pm 573^\circ/\text{s}$	$\pm 100^\circ/\text{s}$
Output	Analogue voltage (ratiometric)	
Scale Factor		
Nominal	3.49mV/ $^\circ/\text{s}$	20mV/ $^\circ/\text{s}$
Variation over temperature range	< $\pm 5\%$	
Nonlinearity	< $\pm 0.5\%$ of full scale	
Bias		
Setting tolerance	< $\pm 30^\circ/\text{s}$	< $\pm 3^\circ/\text{s}$
Variation over temperature range	< $\pm 30^\circ/\text{s}$	< $\pm 3^\circ/\text{s}$
Ratiometric error	< $\pm 1^\circ/\text{s}$	
Drift vs. time	< $\pm 0.55^\circ/\text{s}$ in any 30s period (after start-up time)	
g sensitivity	< $\pm 0.1^\circ/\text{s}/\text{g}$ on any axis	
Bandwidth	> 30Hz (-3dB)	> 10Hz (-3dB)
Quiescent Noise	< 1 mV rms	
Environment		
Temperature	-20°C to +60°C	-40°C to +85°C
Linear acceleration	< 100g	
Shock	200g (1ms, 1/2 sine)	
Vibration	2g rms (20Hz to 2kHz, random)	
Cross-axis sensitivity	< 5%	
Mass	< 10 gram	
Electrical		
Supply voltage	+4.75V to +5.25V	
Supply current	< 35mA (steady state)	
Noise and ripple	< 15mV rms (DC to 100Hz)	
Start-up time	< 0.2s	
RoHS Compliance	Yes (R & S suffix)	

Pin Connections

1	+5V
2	0V
3	Rate Output
4	Not Used

Silicon Sensing Systems Limited
Clifford Road Southway
Plymouth Devon
PL6 6DE United Kingdom
T: +44 (0)1752 723330
F: +44 (0)1752 723331
E: sales@siliconsensing.com
W: siliconsensing.com

Silicon Sensing Systems Japan Limited
1-10 Fuso-Cho
Amagasaki
Hyogo 6600891 Japan
T: +81 (0)6 6489 5868
F: +81 (0)6 6489 5910
E: sales@siliconsensing.com
W: siliconsensing.com

Specification subject to change without notice.

© Copyright 2007
Silicon Sensing Systems Limited
All rights reserved.
Printed in England 04/07

Silicon Sensing Systems Limited Registered in England & Wales No. 3635234 Clifford Road, Southway, Plymouth, Devon PL6 6DE
The device mark Silicon Sensing is a registered trade mark of Silicon Sensing Systems Community Trade Mark 003587664

Headquarter Switzerland:
Pewatron AG
Thurgauerstrasse 66
CH-8050 Zurich
Phone +41 44 877 35 00
info@pewatron.com

Office Germany:
Pewatron Deutschland GmbH
Edisonstraße 16
D-85716 Unterschleißheim
Phone +49 89 374 288 87-0
info.de@pewatron.com



PEWATRON
SENSORS · POWER SOLUTIONS

We are here for you. Addresses and Contacts.

Sales Germany & Austria

Postcode 00000 – 31999
Postcode 38000 – 39999
Postcode 80000 – 99999
Austria

Kurt Stritzelberger

Phone +49 89 260 52 80
Mobile +49 171 803 41 35

kurt.stritzelberger@pewatron.com

Postcode 32000 – 37999
Postcode 40000 – 79999

Gerhard Vetter

Phone +49 674 394 75 75
Mobile +49 163 762 74 30

gerhard.vetter@pewatron.com

Geometrical sensors
Sensor elements

Thorsten Ravagni

Phone +49 60 479 53 627

thorsten.ravagni@pewatron.com

Sales Switzerland & Liechtenstein

Postcode 3000 – 9999

Basil Frei

Phone +41 44 877 35 18
Mobile +41 76 279 37 26

basil.frei@pewatron.com

Postcode 1000 – 2999

Christian Mohrenstecher

Mobile +41 76 444 57 93

christian.mohrenstecher@pewatron.com

Sales International Key Accounts

Peter Felder

Phone +41 44 877 35 05
Mobile +41 79 406 49 83

peter.felder@pewatron.com

Sales Other Countries / Product Management

Pressure Sensors

Philipp Kistler
Phone +41 44 877 35 03
philipp.kistler@pewatron.com

Accelerometers / Level Flow sensor elements

Thorsten Ravagni
Phone +49 60 479 53 627
thorsten.ravagni@pewatron.com

Drive technology CH Postcode 5000 – 9999 / DE

Roman Homa
Mobile +41 76 444 00 86
roman.homa@pewatron.com

Gas sensors / Gas sensor modules Load cells

Dr. Thomas Clausen
Phone +41 44 877 35 13
thomas.clausen@pewatron.com

Power supplies

Sebastiano Leggio
Phone +41 44 877 35 06
sebastiano.leggio@pewatron.com

Drive technology CH Postcode 1000 – 4999 / AT / IT / FR

Christian Mohrenstecher
Mobile +41 76 444 57 93
christian.mohrenstecher@pewatron.com

Flow / Level / Medical products

Dr. Adriano Pittarelli
Phone +49 8245 774 95 44
adriano.pittarelli@pewatron.com

Linear position sensors Angle sensors

Eric Letsch
Phone +41 44 877 35 14
eric.letsch@pewatron.com

Current sensors Power solutions

Osman Coban
Phone +49 71 635 363 898
osman.coban@pewatron.com