

CRS39

Analogue Angular Rate Sensor High Performance MEMS Gyroscope

CRS39-03



Key features

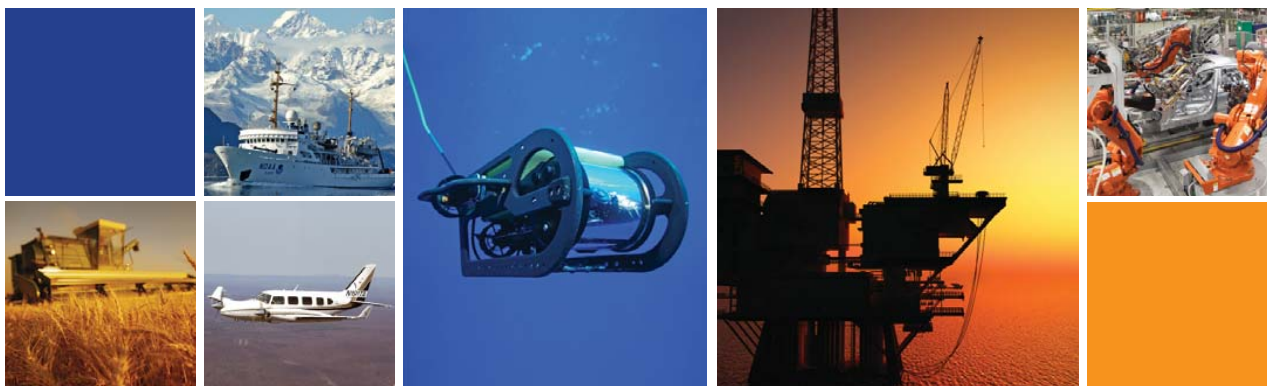
- Proven and Robust silicon MEMS vibrating ring structure
- FOG-like performance
- DTG-like size and performance
- Low Bias Instability ($0.1^\circ/\text{h}$)
- Excellent Angle Random Walk ($0.015^\circ/\sqrt{\text{h}}$)
- Ultra-low noise ($<0.006^\circ/\text{s rms}$.)
- Optimised for low rate range environments (e.g. North Finding)
- Precision analogue output
- Temperature range from -10°C to $+110^\circ\text{C}$
- High shock and vibration rejection
- Three temperature sensors and MEMS frequency output for precision thermal compensation
- RoHS Compliant

CRS39 provides the optimum solution for low angular rate range applications where bias instability, angle random walk and low noise are of critical importance.

The outstanding stability, low noise and size of the CRS39 makes this a viable alternative to fibre-optic and dynamically tuned gyros.

Applications

- Platform Stabilization
- Precision, Downhole Surveying, North Finding
- Maritime Guidance and Control
- Gyro-compassing and Heading Control
- Autonomous Vehicles and ROVs
- Rail Track monitoring
- Robotics



© Silicon Sensing is an Atlantic Inertial Systems, Sumitomo Precision Products joint venture company

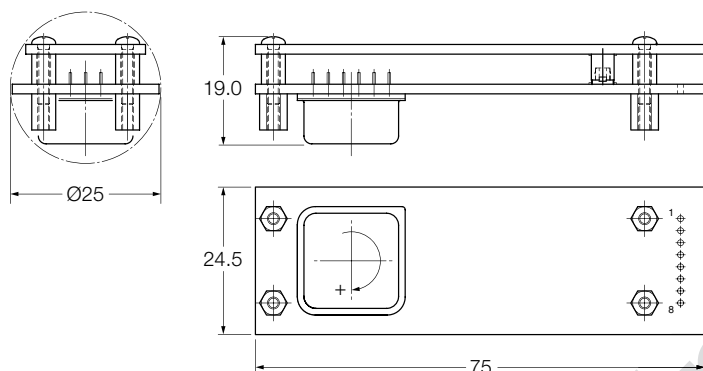
CRS39

Analogue Angular Rate Sensor High Performance MEMS Gyroscope

For full technical datasheets please go to our website where the documents can be downloaded

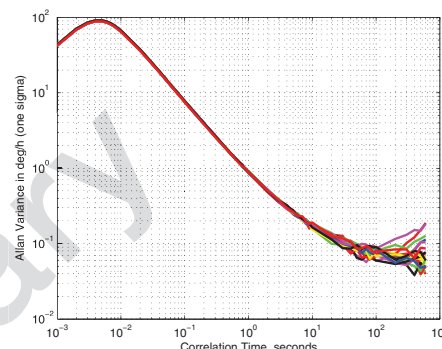


CRS39-03



All dimensions in millimetres

Allan Variance



Typical Data

Angular Rate Range	$\pm 25^\circ/\text{s}$
Output	Analogue (non-ratiometric)
Scale Factor	
Nominal	80mV/ $^\circ/\text{s}$
Setting tolerance (+45°C)	$\pm 0.4\text{mV}/^\circ/\text{s}$
Variation over temperature	$\pm 0.35\%$
Non-linearity	$\pm 0.02\%$ of full scale
Bias	
Setting error (+45°C)	$\pm 0.1\text{V}$
Variation over temperature	$\pm 500^\circ/\text{h}$
Angular Random Walk	0.015 $^\circ/\sqrt{\text{h}}$
Bias instability	0.1 $^\circ/\text{h}$
Bandwidth (normal)	25Hz $\pm 10\text{Hz}$
Noise to 10Hz	0.006 $^\circ/\text{s}$ rms
Wideband Noise	0.03 $^\circ/\text{s}$ rms
Environment	
Temperature	-10°C to +110°C
Operational shock	250g
Non-operational shock	1,000g
RoHS Compliant	Yes

Pin Connections

1	+5V (4.9 to 5.25)	5	TMP1
2	GND	6	TMP2
3	Rate Output	7	TMP3
4	Reference	8	FREQ

Silicon Sensing Systems Limited
Clifford Road, Southway,
Plymouth, Devon
PL6 6DE United Kingdom

T +44 (0)1752 723330
F +44 (0)1752 723331
E sales@siliconsensing.com
W siliconsensing.com

Silicon Sensing Systems Japan Limited
1-10 Fuso-Cho,
Amagasaki,
Hyogo 6600891, Japan

T +81 (0)6 6489 5868
F +81 (0)6 6489 5919
E sssj@spp.co.jp
W siliconsensing.com

Specification subject to change without notice.

© Copyright 2015
Silicon Sensing Systems Limited
All rights reserved. Printed in England 05/15

CRS39-03-0100-131 Rev 1
DCR No. 71009064

Silicon Sensing Systems Limited Registered in England & Wales No. 3635234 Clifford Road, Southway, Plymouth, Devon PL6 6DE
The device mark Silicon Sensing is a registered trade mark of Silicon Sensing Systems Community Trade Mark 003587664

Headquarter Switzerland:
Pewatron AG
Thurgauerstrasse 66
CH-8050 Zurich
Phone +41 44 877 35 00
info@pewatron.com

Office Germany:
Pewatron Deutschland GmbH
Edisonstraße 16
D-85716 Unterschleißheim
Phone +49 89 374 288 87-0
info.de@pewatron.com



PEWATRON
SENSORS · POWER SOLUTIONS

We are here for you. Addresses and Contacts.

Sales Germany & Austria

Postcode 00000 – 31999
Postcode 38000 – 39999
Postcode 80000 – 99999
Austria

Kurt Stritzelberger

Phone +49 89 260 52 80
Mobile +49 171 803 41 35

kurt.stritzelberger@pewatron.com

Postcode 32000 – 37999
Postcode 40000 – 79999

Gerhard Vetter

Phone +49 674 394 75 75
Mobile +49 163 762 74 30

gerhard.vetter@pewatron.com

Geometrical sensors
Sensor elements

Thorsten Ravagni

Phone +49 60 479 53 627

thorsten.ravagni@pewatron.com

Sales Switzerland & Liechtenstein

Postcode 3000 – 9999

Basil Frei

Phone +41 44 877 35 18
Mobile +41 76 279 37 26

basil.frei@pewatron.com

Postcode 1000 – 2999

Christian Mohrenstecher

Mobile +41 76 444 57 93

christian.mohrenstecher@pewatron.com

Sales International Key Accounts

Peter Felder

Phone +41 44 877 35 05
Mobile +41 79 406 49 83

peter.felder@pewatron.com

Sales Other Countries / Product Management

Pressure Sensors

Philipp Kistler
Phone +41 44 877 35 03
philipp.kistler@pewatron.com

Accelerometers / Level Flow sensor elements

Thorsten Ravagni
Phone +49 60 479 53 627
thorsten.ravagni@pewatron.com

Drive technology CH Postcode 5000 – 9999 / DE

Roman Homa
Mobile +41 76 444 00 86
roman.homa@pewatron.com

Gas sensors / Gas sensor modules Load cells

Dr. Thomas Clausen
Phone +41 44 877 35 13
thomas.clausen@pewatron.com

Power supplies

Sebastiano Leggio
Phone +41 44 877 35 06
sebastiano.leggio@pewatron.com

Drive technology CH Postcode 1000 – 4999 / AT / IT / FR

Christian Mohrenstecher
Mobile +41 76 444 57 93
christian.mohrenstecher@pewatron.com

Flow / Level / Medical products

Dr. Adriano Pittarelli
Phone +49 8245 774 95 44
adriano.pittarelli@pewatron.com

Linear position sensors Angle sensors

Eric Letsch
Phone +41 44 877 35 14
eric.letsch@pewatron.com

Current sensors Power solutions

Osman Coban
Phone +49 71 635 363 898
osman.coban@pewatron.com