



Silicon Sensing Proprietary Information



Orion™ Combi-Sensor Evaluation Boards

December 2014



Silicon Sensing is a joint venture between UTC Aerospace Systems and Sumitomo Precision Products

Silicon Sensing Proprietary Information

Orion™ Combi-sensor Evaluation Boards

SILICON
SENSING®



To be the leading provider of affordable, high performance, high integrity MEMS inertial products and foundry services

Silicon Sensing is a joint venture between UTC Aerospace Systems and Sumitomo Precision Products

2

Silicon Sensing Proprietary Information

Orion™ Combi-sensor Evaluation Boards

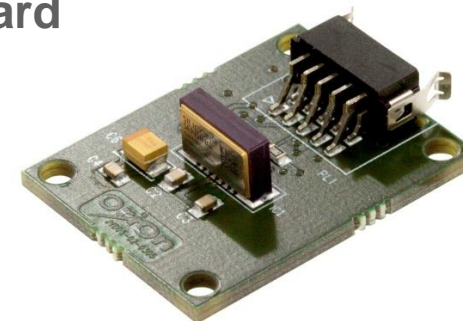
**SILICON
SENSING®**

Two Orion™ combi-sensor evaluation boards are available:

**In-plane CMS300 Combi-sensor Evaluation Board
(Part Number – CMS300-02-0302)**



**Orthogonal CMS390 Combi-sensor Evaluation Board
(Part Number – CMS390-02-0305)**



Silicon Sensing is a joint venture between UTC Aerospace Systems and Sumitomo Precision Products

3

Statement of Use and Disclaimer



Statement of Use and Disclaimer For Silicon Sensing Systems Evaluation Boards

The Evaluation Boards described in this document are development tools and as such are provided solely for the evaluation and assessment by the Purchaser of the suitability of the Silicon Sensing Systems Limited (SSSL) range of Inertial Sensors within the Purchaser's application. They are not to be used either as an integral or discrete part or component within any Purchaser application or product. SSSL does not warrant the specification or performance of these boards in anyway whatsoever in such circumstances where use by the Purchaser for any application or product is in contravention of the foregoing advice from SSSL.

The Purchaser uses these Evaluation Boards entirely at its own risk and shall fully indemnify SSSL from any and all Purchaser or third party claims, losses, costs, damages and expenses and related liability whether in contract or tort that may arise from such improper use as provided in this statement.

This statement is supplementary to SSSL Standard Terms and Conditions. In the event of any conflict this Statement shall prevail and all other terms shall remain valid and enforceable.

Silicon Sensing Proprietary Information

Orion™ Combi-sensor Evaluation Boards



SILICON
SENSING®

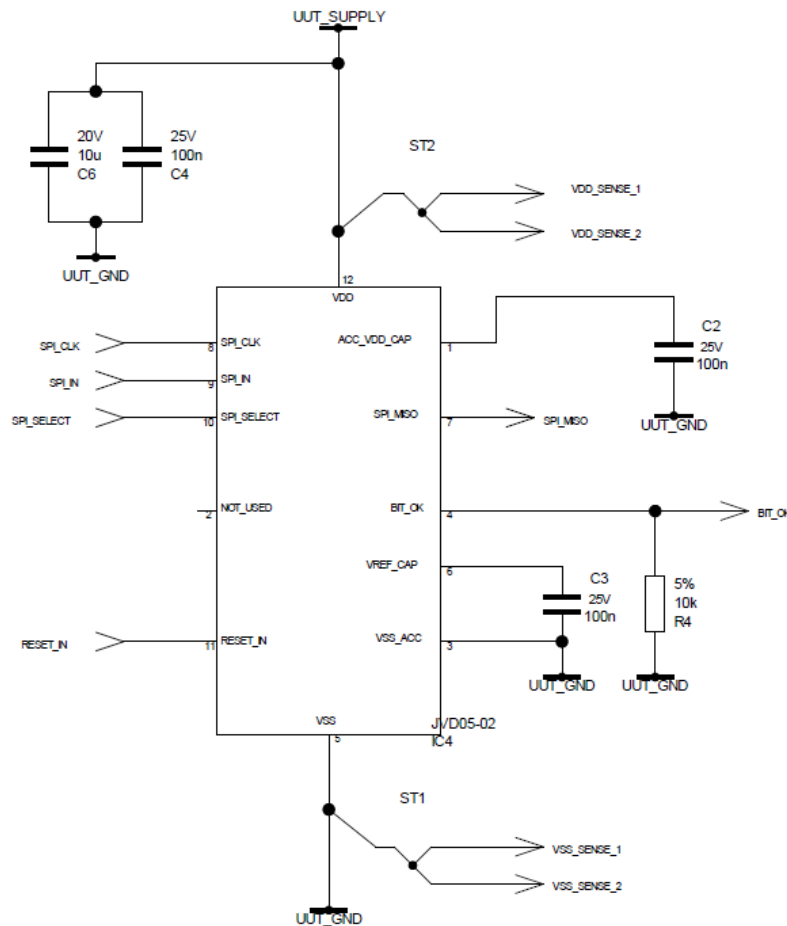


Orion™ Combi-sensor Evaluation Boards:

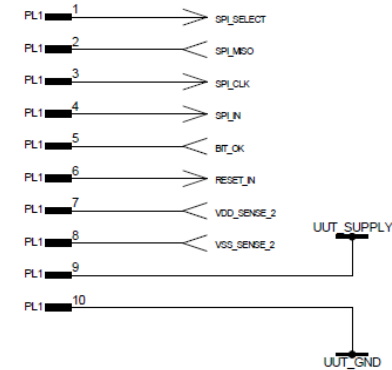
Two Part Numbers Available: CMS300-02-0302 (CMS300) and
CMS390-02-0305 (CMS390)

Board Size:	34mm x 26mm
Board Mounting:	Mounting holes provided
PCB material:	1.6mm FR4, solder resist.
Power Supply:	+3V3 and 0V
Analogue outputs:	Not Available
Digital interface:	SPI Bus.
Dynamic Ranges:	150°/sec and 300°/sec angular rate 2.5g and 10g linear acceleration

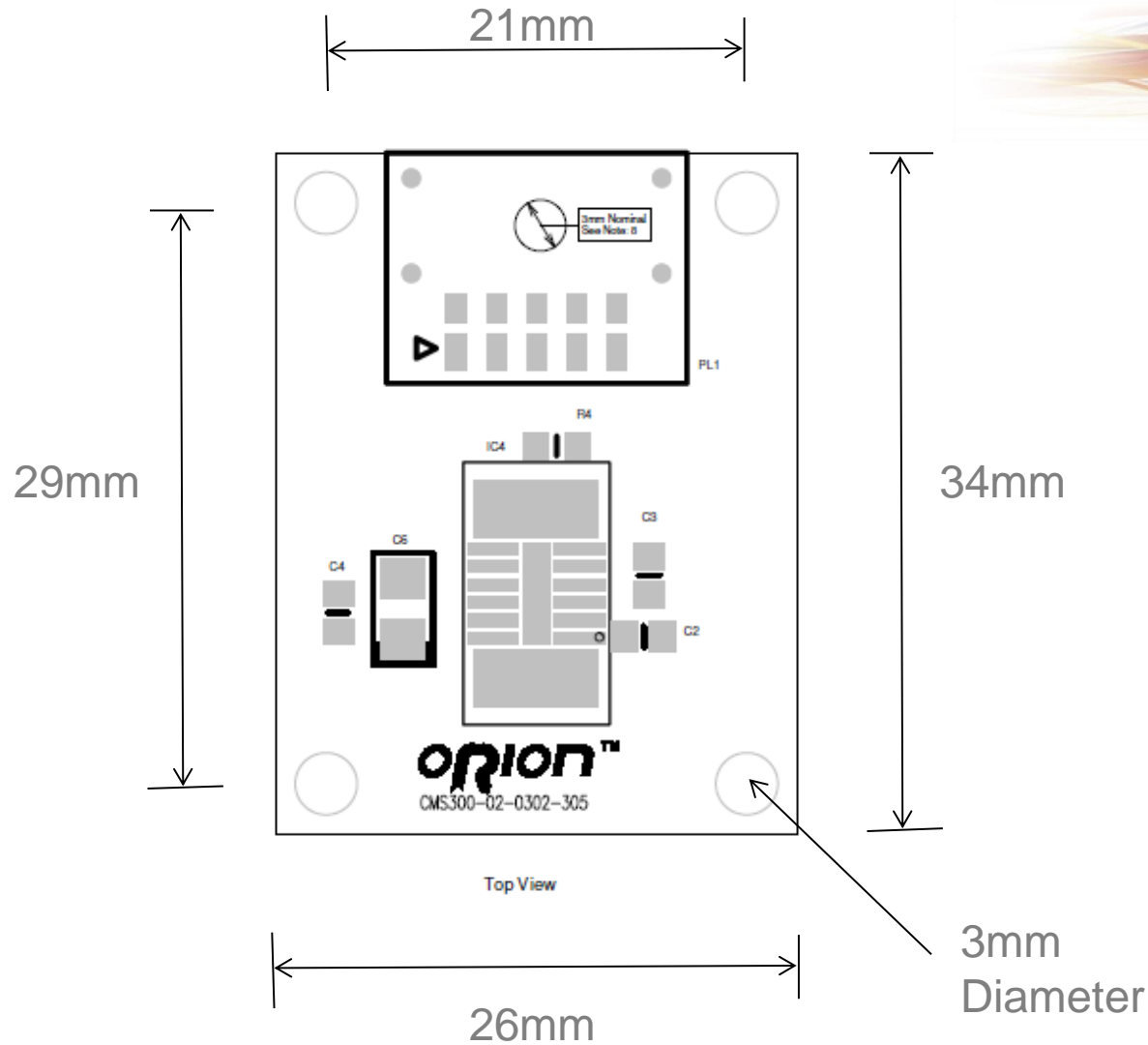
CMS300 Evaluation Board Schematic



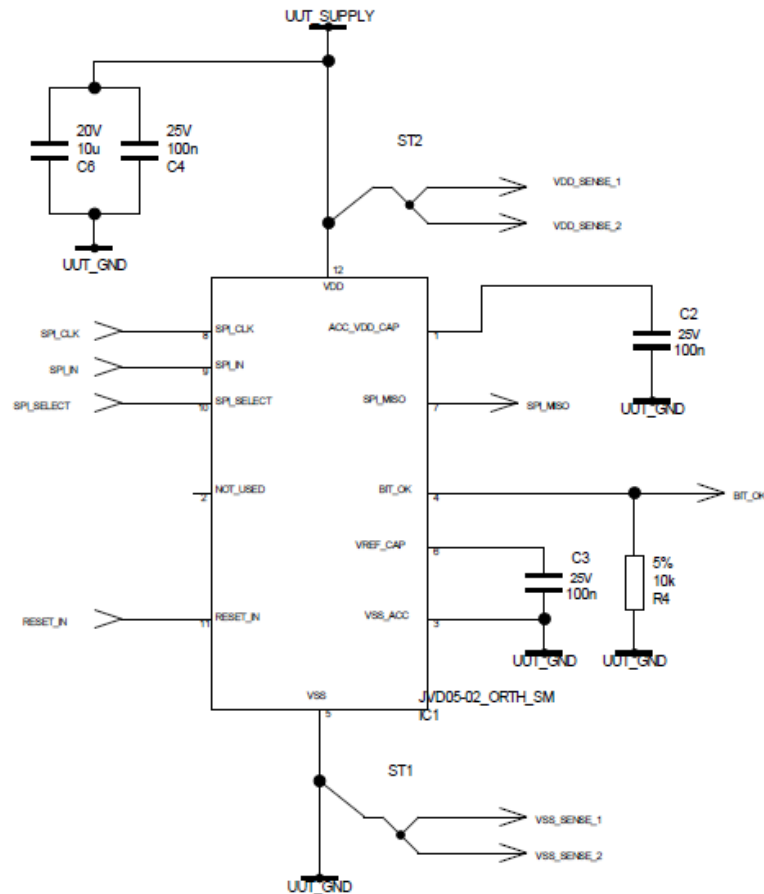
Datamate UUT Connection



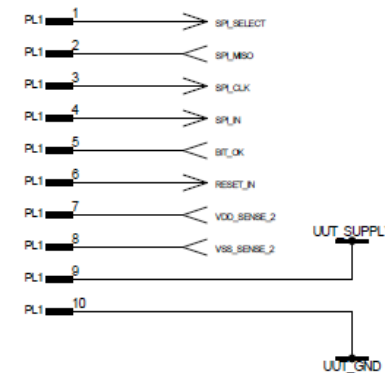
CMS300 Evaluation Board Pad locations



CMS390 Evaluation Board Schematic

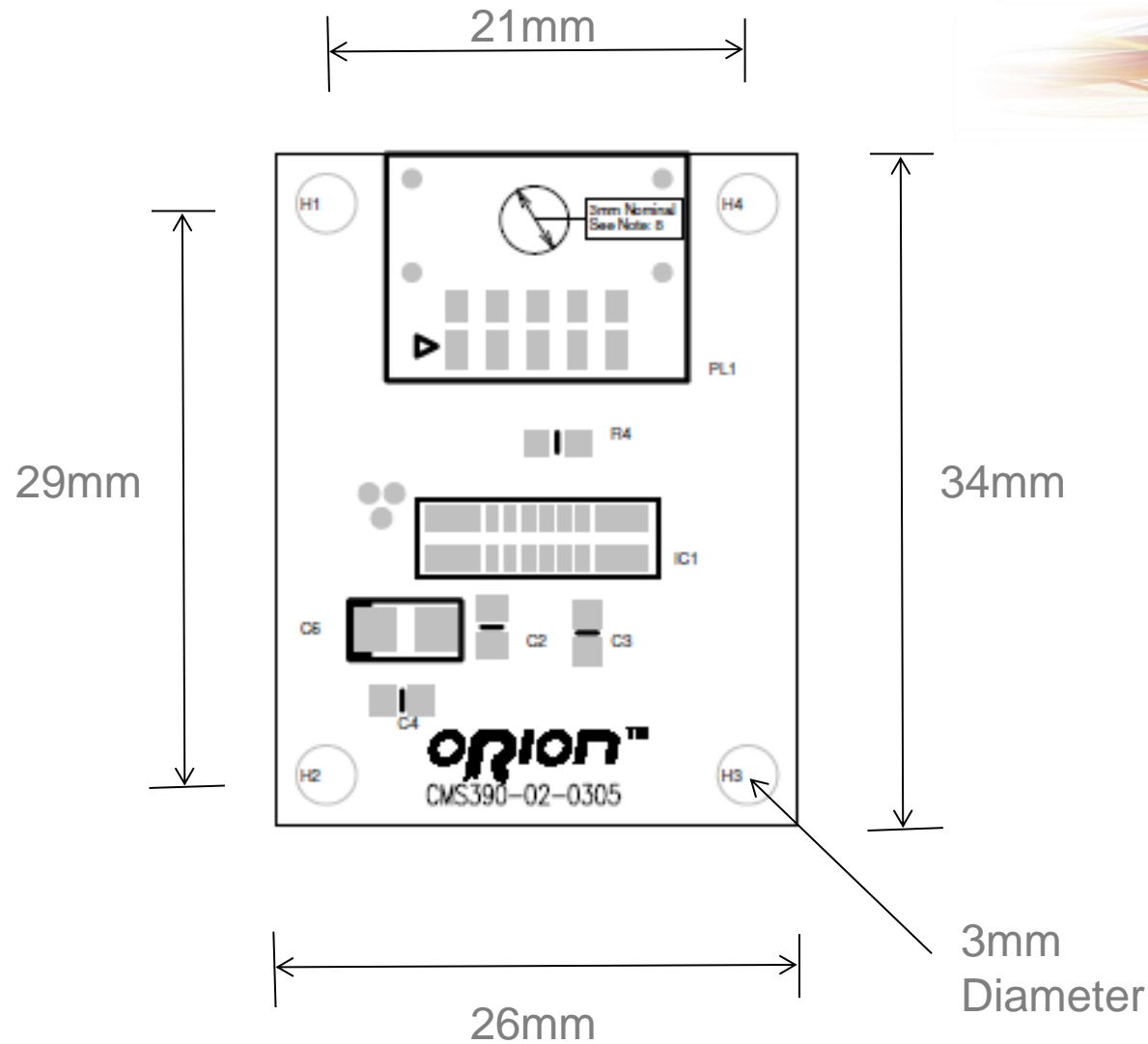


Datamate UUT Connection





CMS390 Evaluation Board Pad locations



CMS300 CMS390 CRC Calculation



JVD05-02-0100-131(ICD Document), NOTE 8:

In all message to and from the ASIC a 4-bit CRC (data bits D3:0) shall be added. The CRC polynomial used shall be x^4+1 . A seed value of "1010" shall be used with a calculation order MSB to LSB. The CRC shall be checked for all i/p messages. If the CRC fails then the message shall be ignored and a SPI Error message output in the next message.

The CRC is calculated using the following calculation:

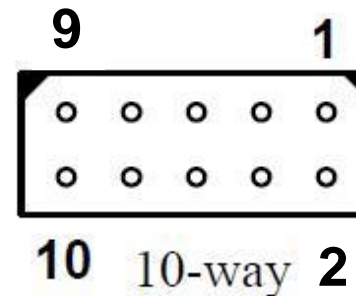
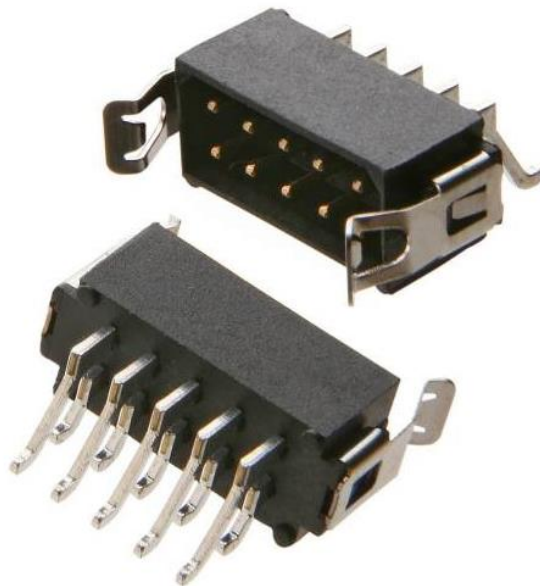
Where data(31) is the MS bit of the message (transmitted first). $\text{crc_seed}(3:0) = "1010"$.

```

crc(0) = data(4) XOR data(8) XOR data(12) XOR data(16) XOR data(20) XOR data(24) XOR data(28) XOR crc_seed(0);
crc(1) = data(5) XOR data(9) XOR data(13) XOR data(17) XOR data(21) XOR data(25) XOR data(29) XOR crc_seed(1);
crc(2) = data(6) XOR data(10) XOR data(14) XOR data(18) XOR data(22) XOR data(26) XOR data(30) XOR crc_seed(2);
crc(3) = data(7) XOR data(11) XOR data(15) XOR data(19) XOR data(23) XOR data(27) XOR data(31) XOR crc_seed(3);
  
```

CMS3xx Evaluation Boards Connector Details

Harwin M80-6661042
2mm pitch, right
angle, double row,
10-way connector



View looking into the connector

- 1 = SPI_SEL
- 2 = SPI_MISO
- 3 = SPI_CLK
- 4 = SPI_IN
- 5 = BIT_OK
- 6 = RESET
- 7,9 = CDD*
- 8,10 = VSS*

* Note; pins 7 and 8 do not require connecting to VDD and VSS respectively as they are connected on the EVB

Contact Details



Silicon Sensing Systems Ltd
Clifford Road
Southway
Plymouth
Devon
United Kingdom
PL6 6DE

Tel: +44 1752 723330

Fax : +44 1752 723331

E-mail : sales@siliconsensing.com

Web : www.siliconsensing.com

Headquarter Switzerland:
Pewatron AG
Thurgauerstrasse 66
CH-8050 Zurich

Phone +41 44 877 35 00
info@pewatron.com

Office Germany:
Pewatron Deutschland GmbH
Edisonstraße 16
D-85716 Unterschleißheim

Phone +49 89 374 288 87-0
info.de@pewatron.com



PEWATRON
SENSORS · POWER SOLUTIONS

We are here for you. Addresses and Contacts.

Sales Germany & Austria

Postcode 00000 – 31999
Postcode 38000 – 39999
Postcode 80000 – 99999
Austria

Kurt Stritzelberger

Phone +49 89 260 52 80
Mobile +49 171 803 41 35

kurt.stritzelberger@pewatron.com

Postcode 32000 – 37999
Postcode 40000 – 79999

Gerhard Vetter

Phone +49 674 394 75 75
Mobile +49 163 762 74 30

gerhard.vetter@pewatron.com

Geometrical sensors
Sensor elements

Thorsten Ravagni

Phone +49 60 479 53 627

thorsten.ravagni@pewatron.com

Sales Switzerland & Liechtenstein

Postcode 3000 – 9999

Basil Frei

Phone +41 44 877 35 18
Mobile +41 76 279 37 26

basil.frei@pewatron.com

Postcode 1000 – 2999

Christian Mohrenstecher

Mobile +41 76 444 57 93

christian.mohrenstecher@pewatron.com

Sales International Key Accounts

Peter Felder

Phone +41 44 877 35 05
Mobile +41 79 406 49 83

peter.felder@pewatron.com

Sales Other Countries / Product Management

Pressure sensors

Philipp Kistler
Phone +41 44 877 35 03
philipp.kistler@pewatron.com

Power supplies

Sebastiano Leggio
Phone +41 44 877 35 06
sebastiano.leggio@pewatron.com

Gas sensors / Gas sensor modules Load cells

Dr. Thomas Clausen
Phone +41 44 877 35 13
thomas.clausen@pewatron.com

Current sensors Power solutions

Osman Coban
Phone +49 71 635 363 898
osman.coban@pewatron.com

Flow / Level / Medical products

Dr. Adriano Pittarelli
Phone +49 8245 774 95 44
adriano.pittarelli@pewatron.com

Drive technology CH Postcode 5000 – 9999 / DE

Roman Homa
Mobile +41 76 444 00 86
roman.homa@pewatron.com

Linear position sensors Angle sensors

Eric Letsch
Phone +41 44 877 35 14
eric.letsch@pewatron.com

Drive technology CH Postcode 1000 – 4999 / AT / IT / FR

Christian Mohrenstecher
Mobile +41 76 444 57 93
christian.mohrenstecher@pewatron.com

Accelerometers / Level Flow sensor elements

Thorsten Ravagni
Phone +49 60 479 53 627
thorsten.ravagni@pewatron.com