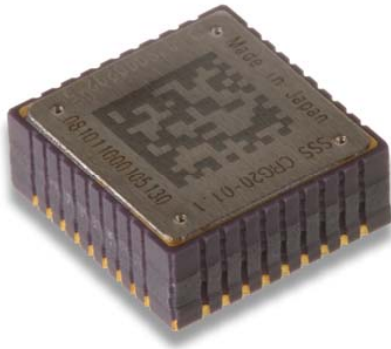


CRG20 Digital Angular Rate Sensor



GENERAL DESCRIPTION

CRG20 is the latest evolution of angular rate sensor utilising Silicon Sensing's patented cos 2θ ring structure MEMS technology. It is designed to meet the requirements of a wide range of automotive and commercial applications.

CRG20 builds upon the success of Silicon Sensing's benchmark family of MEMS rate sensors. Over 10 million of these have been delivered, with proven success in high performance automotive applications.

The sensor is a fully integrated digital solution, comprising MEMS sensing element, digital acquisition ASIC, and microprocessor. This single chip solution minimises the requirements for additional electronics, and thereby reduces space requirements and overall system costs. Fully digital closed loop control eliminates any temperature and ageing effects associated with analogue electronics, and provides exceptionally stable performance over a wide range of operating conditions.

The unique resonating ring structure makes the gyro inherently immune to high levels of shock and vibration, and eliminates problems with locking and static friction (known as 'stiction'), commonly experienced with other designs of coriolis MEMS sensors.

In addition to a commanded self test feature, CRG20 incorporates continuous self-testing of the complete operation of the sensor and the signal conditioning circuits. CRG20 has been designed to provide unparalleled sensor integrity, through the mitigation of potential error sources and false-plausible failure modes. System designers have the opportunity with CRG20 to eliminate the requirement for redundant sensors in high integrity applications.

The sensor provides a digital interface in the form of a SPI[®] port together with analogue output pins for customers who need to operate in the analogue domain. In addition, two auxiliary analogue input pins are available to digitise other sensors such as accelerometers or additional gyros; this enables multi-axis sensor clusters to be easily produced.

FEATURES

- Proprietary cos 2θ ring MEMS technology
- Out of plane (z-axis) rate response
- No requirement for calibration
- Continuous comprehensive self test
- Suitable for high integrity applications
- High immunity to shock and vibration
- Very low angular random walk
- Wide dynamic range
- 0.03125 °/s digital resolution
- Digital SPI[®] interface
- Compact LCC SMT package
- Two auxiliary ADC inputs
- Ratiometric analogue rate outputs
- Internal temperature sensor
- RoHS compliant

APPLICATIONS

- Electronic Stability Control
- Vehicle rollover detection and control
- Navigation systems
- Inertial measurement units
- Adaptive cruise control
- Event data recorders / telematics
- Robotics
- Platform stabilisation

ORDERING INFORMATION

Model	Bandwidth	Digital Rate Range	Analogue Rate Range
CRG20-01	40 Hz	300°/s	75°/s
CRG20-02	75 Hz	300°/s	300°/s
CRG20-22	90Hz	300°/s	300°/s

Factory programmable bandwidth and rate ranges mean that CRG20 is available in a choice of configurations. To discuss alternative options, please contact Silicon Sensing (contact information is detailed at the end of this document).

CONTENTS

CONTENTS.....	2
ABSOLUTE MAXIMUM RATINGS	3
NORMAL OPERATING RATINGS	3
ESD SENSITIVITY	3
SPECIFICATIONS	4
PIN DIAGRAM.....	6
CRG20 PIN DESCRIPTIONS.....	6
RECOMMENDED CIRCUIT DESIGN	7
THEORY OF OPERATION	9
PRINCIPLE	9
IMPLEMENTATION	9
HIGH INTEGRITY RATE SENSING.....	9
STRUCTURE INTEGRITY.....	9
SYSTEM NODE OBSERVATION	9
ANALOGUE FEEDBACK.....	9
DSP VERIFICATION.....	9
COMMANDED BIT.....	9
SERIAL PERIPHERAL INTERFACE PORT.....	10
EXTERNAL SYSTEM TO CRG20 MESSAGES.....	10
EXTERNAL INTERFACE DISCRETE SIGNALS.....	11
BIT_OK (OUTPUT)	12
RESET_IN (INPUT)	12
AUXILIARY INPUT CHANNELS	12
ANALOGUE RATE OUTPUT CHANNELS	12
VOLTAGE REFERENCES.....	12
MECHANICAL DESIGN	13
PACKAGE OUTLINE DIMENSIONS	13
ALIGNMENT & TILT SPECIFICATION	14
RECOMMENDED SOLDER CONDITIONS.....	14
PACKAGE DETAILS.....	14

CRG20 Digital Angular Rate Sensor

ABSOLUTE MAXIMUM RATINGS

Operating Temperature	-40° C to +130° C
Storage Temperature	-60° C to +150° C
Maximum Operating Voltage	6.0V
Maximum Current on Start-up	75mA
Power Supply Ripple Requirement	<5mV pk-pk in frequency range 100Hz to 12 kHz <2mV pk-pk in frequency range 12kHz to 400MHz

Reverse Power Supply Protection 6V for 1 second with a current limit of < 100 mA

NOTE: Stresses beyond those listed under "Absolute Maximum Ratings" may cause permanent damage to the device. These are stress ratings only and functional operation of the device at these or other conditions beyond those indicated is not implied.

NORMAL OPERATING RATINGS

Operating Temperature	-40° C to +105° C
Supply Voltage	5V dc nominal, (4.75V min, 5.25V max continuous)
Supply Current	60mA maximum @ 5.25V across operating temperature

ESD SENSITIVITY

The CRG20 device is rated to 2kV using the Human Body Model (direct contact, 100pF/1.5kOhm).



ESD (Electrostatic Discharge) Sensitive Device

This product may be damaged by ESD. Such damage may result in subtle performance or life degradation, or complete device failure. Appropriate storage and handling precautions should be taken at all times to avoid ESD damage.

FUNCTIONAL BLOCK DIAGRAM

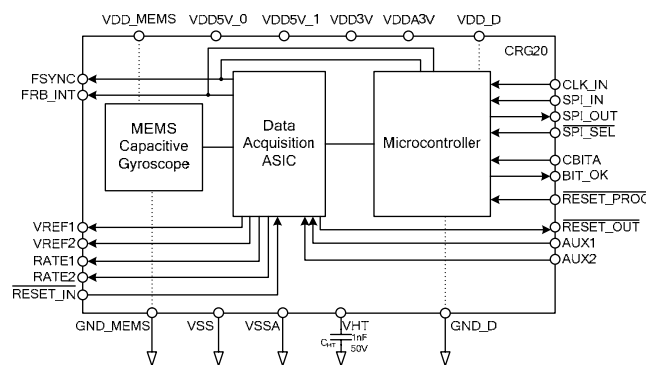


Figure 1



CRG20 Digital Angular Rate Sensor

SPECIFICATIONS

Ambient Temperature (T_A) = -40°C to 105°C , V_{DD5V} = 4.75V to 5.25V, Angular Rate = $0^{\circ}/\text{s}$, unless otherwise stated.

Table 1

Parameters	Conditions	Units	Value *1		
			CRG 20-01	CRG 20-02	CRG 20-22
Digital Interface – Scale Factor					
Scale factor nominal		$^{\circ}/\text{s}/\text{bit}$	0.03125		
Full scale range		$^{\circ}/\text{s}$	± 300		
Scale factor over temperature	Over full operating temperature range	%	± 2.00		
Scale factor rate linearity	Over full operating temperature range	% Full Scale	± 0.15		
Digital Interface – Bias					
Bias over temperature	Over full operating temperature range	$^{\circ}/\text{s}$	± 2.50		
Bias switch on to switch on repeatability		$^{\circ}/\text{s}$ 1σ	0.07		
g sensitivity (0 ± 30 g range)		$^{\circ}/\text{s}/\text{g}$	± 0.10		
g^2 sensitivity (0 ± 30 g range)		$^{\circ}/\text{s}/\text{g}^2$	± 0.005		
Bias hysteresis		$^{\circ}/\text{s}$ typ.	± 0.1		
Analogue Interface – Scale Factor					
Scale factor nominal (Rate 1)	$V_{DD5V} = 5.00\text{V}$, ratiometric with V_{DD5V} supply	$\text{mV}/^{\circ}/\text{s}$	26.67	6.67	6.67
Full scale range		$^{\circ}/\text{s}$	± 75	± 300	± 300
Scale factor over temperature	$V_{DD5V} = 5.00\text{V}$, ratiometric with V_{DD5V} supply	%	± 2.00		
Scale factor rate linearity	Over full operating temperature range	% Full Scale	± 0.15		
Ratiometric error		%	1.0 max		
Analogue Interface – Bias					
Nominal bias	$V_{DD5V} = 5.00\text{V}$, ratiometric with V_{DD5V} supply	V	2.5	2.5	2.5
Bias over temperature	$V_{DD5V} = 5.00\text{V}$, ratiometric with V_{DD5V} supply	V	0.056	0.016	0.016
g sensitivity (0 ± 30 g range)		$^{\circ}/\text{s}/\text{g}$	± 0.10		
g^2 sensitivity (0 ± 30 g range)		$^{\circ}/\text{s}/\text{g}^2$	± 0.005		
Analogue Inputs (Aux 1 shown, applicable to Aux2)					
Input dynamic range		V	$V_{SSA} + 0.25$ to $V_{DD5V} - 0.25$		
Resolution	$V_{DD5V} = 5.00\text{V}$, ratiometric with V_{DD5V} supply	mV	1.22		
Sample rate	Set to $1/4$ of the sensor frequency $\sim 14\text{kHz}$	kHz	> 3.4		
Integral nonlinearity		LSB	± 8		
Differential nonlinearity		LSB	± 0.5		
Offset error	Referred to pin AUX1 *2, $T_A = 25^{\circ}\text{C}$, $V_{DD5V} = 5\text{V}$	mV	± 32		
Offset error stability over temperature and life	Referred to pin AUX1 *2, $V_{DD5V} = 5\text{V}$	mV	± 10		
Scale factor error	Referred to pin AUX1 *2, $T_A = 25^{\circ}\text{C}$, $V_{DD5V} = 5\text{V}$	%	2.5		
Scale factor error stability	Referred to pin AUX1 *2, $V_{DD5V} = 5\text{V}$	%	± 0.7		
Signal to noise and distortion ratio		dB	70		
Noise	Referred to pin AUX1 *2, up to 500 Hz	$\mu\text{V}/\sqrt{\text{Hz}}$	175		
Input capacitance		pF	10		
Input impedance		k Ω	50-300		
Input bandwidth		Hz	500 *3		
Analogue Rate Outputs					
Rate1		V	$V_{REF1} \pm 2.3\text{max}$ ($\pm 2.1\text{nom}$)		
Rate2	Rate 2 = Rate1 x (-0.9) AND BIT_OK	V	$V_{REF1} \pm 2.07\text{max}$ ($\pm 1.89\text{nom}$)		
Rate1 resolution	$V_{DD5V} = 5\text{V}$,	mV	1.123		
Rate2 resolution	$V_{DD5V} = 5\text{V}$, Rate1 x -0.9	mV	1.01		
Rate1 & Rate2 offset error	With respect to V_{REF1}	$^{\circ}/\text{s}$	± 0.5		
Rate1 & Rate2 offset error stability	With respect to V_{REF1}	$^{\circ}/\text{s}$	± 3.6	± 7	± 7
Rate1 & Rate2 scale factor error	With respect to V_{REF1}	%	± 0.5		
Rate1 & Rate2 scale factor error stability	With respect to V_{REF1}	%	± 2.95		
Rate1 & Rate2 reference voltage	Rate1 = Rate2 = V_{REF1} at $0^{\circ}/\text{s}$		V_{REF1}		
Cross Coupling Errors					
Axis misalignment		mrad	± 17		
Axis misalignment stability		mrad	± 8		
Cross axis sensitivity		%	± 2		
Acceleration induced misalignment		mrad/(m/s^2)	0.2		
Dynamic Response					
Gain peaking		dB	< 1		

CRG20 Digital Angular Rate Sensor

Parameters	Conditions	Units	Value ^{*1}		
			CRG 20-01	CRG 20-02	CRG 20-22
Bandwidth	-3dB point	Hz	≥40	≥75	≥90
Angular acceleration limit		°/s ²	>10,000		
Noise					
Over 1 to 25Hz band		°/s rms typ.	0.20	0.30	0.30
In-band noise	Up to the bandwidth of the variant	°/s rms typ.	0.33	0.80	1.00
Over 1 to 101Hz band		°/s rms typ.	0.57	1.00	1.00
Broadband noise		°/s rms typ.	0.70	1.40	1.50
Angular random walk		°/√hr	<1		
Commanded BIT (CBITA)					
Nominal rate output offset	T _A = 25°C	°/s	+10.0		
Offset variation/tolerance	Between -40°C and 85°C	°/s	±3.00		
Offset variation/tolerance	Between 85°C and 105°C	°/s	±3.75		
Max data loss during test		ms	200		
Power Supply					
V _{DD_D}		V	+5 ±0.25 ^{*4}		
V _{DD5V_0}					
V _{DD5V_1}					
V _{DD_MEMS}					
V _{DD3V} ^{*5}		V	+3.3 ±0.2		
V _{DDA3V}		V	+3.3 (15mA max)		
V _{HT}	Generated internally by CRG20	V	+28 ±0.2		
V _{DD} Quiescent supply current	V _{DD5V} = 5.25 V	mA	60		
Voltage References					
V _{REF1}		V	V _{DD5V} /2 ± 0.25%		
V _{REF1} Voltage offset error		mV	±14 max		
V _{REF1} Voltage stability over temperature and life		mV	±7.5		
V _{REF1} Load regulation	Sinking < 0.03mA into V _{REF1} pin, sourcing <1mA from V _{REF1} pin	%	±0.5		
V _{REF1} Output noise	< 200 Hz < 20 kHz	mV rms	0.2 4		
V _{REF1} Load capacitor required		nF	1 ±0.2		
V _{REF2}		V	V _{DD5V} /3 ±1%		
V _{REF2} Voltage stability over temperature and life		mV	±7.5		
V _{REF2} Load capacitor required	Low ESR Tantalum type (0.1 – 0.5 Ω)	μF	10 ±2		
Digital Signals					
Voltage level		V	5V CMOS logic		
Input leakage current, I _{IN}		nA	50 max		
Input capacitance, C _{IN}		pF	10 max		
Start-Up					
Start-up time		ms	<500		
Environment					
Temperature		°C	-40 to +105		
Shock	½ sine, t = 2 ms, recovery within 20 ms	g	95 min		
Vibration	20 Hz to 2 kHz	g rms	8.85		
Mass		g	0.8		
Mechanical Characteristics					
Package coefficient of thermal expansion		ppm/K	7.1		

^{*1} Unless otherwise stated errors quoted in this table refer to the digital rate output.

^{*2} Where pin AUX1 is mentioned, the parameters are also applicable to AUX2.

^{*3} The maximum measurable input bandwidth is limited by the communication scheme in the SERIAL PERIPHERAL INTERFACE PORT section, i.e. 500 Hz (half the maximum message rate).

^{*4} Operating voltage stated as 4.75V-5.25V (5V optimum). Device to be connected as per Figure 3.

^{*5} V_{DD3V} is generated internally, up to 15mA maximum draw load may be applied externally.

CRG20 Digital Angular Rate Sensor

PIN DIAGRAM

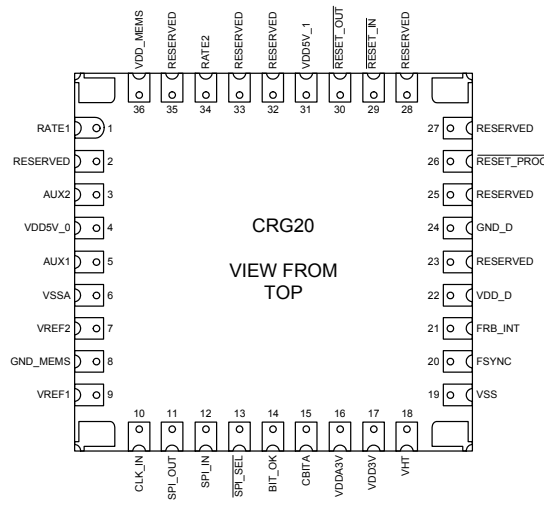


FIGURE 2

CRG20 PIN DESCRIPTIONS

Pin Name	Pin No	Pin Type ¹	Expected Value	Description
Power Supply Connections				
VDD5V_0	4	I	+5 V ±0.25 V	Analogue 5 V power supply connection 0. Used to power elements of the ASIC in the CRG20.
VDD5V_1	31	I	+5 V ±0.25 V	Analogue 5 V power supply connection 1. Used to power elements of the ASIC in the CRG20, including the charge pump for the high tension (HT) voltage. It is recommended that this connection be routed directly to the pin without passing through other power supply pins to minimise the effect of the charge pump operation on the CRG20.
VDD3V	17	I	+3.3 V ±0.2 V	3.3 V power supply connection for the ASIC. VDD3V does not need to be supplied with 3.3 V as the CRG20 contains an internal 3.3 V regulator.
VDDA3V	16	O	+3.3 V	Connection to the CRG20 internal 3.3 V regulator. This can be used to supply 3.3 V at currents up to 15 mA.
VDD_D	22	I	+5 V ±0.25 V	Digital 5V power supply connection for the microcontroller in the CRG20.
VDD_MEMS	36	I	+5 V ±0.25 V	Power supply connection for the MEMS and pickoff amplifier in the CRG20.
VHT	18	O	+28 V	Decoupling connection for the HT voltage charge pump in the CRG20. A 22nF capacitor should be connected between VHT and VSS. Due to the sensitive nature of the HT voltage, the 22 nF capacitor should be on the same side of the mounting board as the CRG20 and the tracks should be as short as possible and not pass through any vias.
VSS	19	G	0 V	Ground connection for parts of the ASIC in the CRG20. It is recommended that the return path for this pin is not routed through any other ground pins, to minimise the effect of the charge pump operation on the CRG20.
VSSA	6	G	0 V	Ground connection for parts of the ASIC in the CRG20.
GND_D	24	G	0 V	Ground connection for the microcontroller in the CRG20.
GND_MEMS	8	G	0 V	Ground connection for the MEMS in the CRG20.
Analogue Signals				
AUX1	5	I	(VSSA+0.25 V) to (VDD5V-0.25 V)	External analogue input channel 1. The signal is digitised using a 12-bit analogue to digital converter (ADC) and can be observed using the SPI communications. See "Serial Peripheral Interface Port" section for details.
AUX2	3	I	(VSSA+0.25 V) to (VDD5V-0.25 V)	External analogue input channel 2. The signal is digitised using a 12-bit ADC and can be observed using the SPI communications. See "Serial Peripheral Interface Port" section for details.
RATE1	1	O	VREF1 ±2.3 V max	Buffered analogue output 1. This signal represents the angular rate applied to the CRG20 and is referenced to VREF1.
RATE2	34	O	VREF1 ±2.07 V max	Buffered analogue output 2. This signal represents the angular rate applied to the CRG20 and is referenced to VREF1. RATE2 is set to VSS if a continuous or demanded built in test (BIT) failure occurs.
VREF1	9	O	VDD5V / 2 ±7.5 mV	Analogue reference output 1. This output is used as the 0°/s reference for RATE1 and RATE2.
VREF2	7	O	VDD5V / 3 ±7.5 mV	Analogue reference output 2. VREF2 is used for internal referencing only and is brought out to a pin for the required decoupling. See "Recommended Layout" section for details.
Digital Signals				
BIT_OK	14	O	5 V CMOS Logic	The CRG20 performs continuous self checks and outputs the gross operational status of the device via the BIT_OK flag.
CBITA	15	I	5 V CMOS Logic	The CRG20 has the ability to initiate a commanded built in test. This can be done using the SPI communications (see "Serial Peripheral Interface Port" section for details) or the CBITA pin. CBITA is primarily used as a 'quick test' to check the functionality of the device. While CBITA is asserted, an offset is added to the rate sensing loop. BIT_OK shows a failure while CBITA is active.



CRG20 Digital Angular Rate Sensor

Pin Name	Pin No	Pin Type ¹	Expected Value	Description
CLK_IN	10	I	5 V CMOS Logic	SPI clock signal. This signal is typically a 1 MHz clock. See "Serial Peripheral Interface Port" section for details.
FRB_INT	21	O	5 V CMOS Logic	Frequency pulse output synchronous to the MEMS gyroscope resonant frequency. This signal will be in the range 3.35 kHz to 3.65 kHz. If the signal is used it should be buffered to reduce the risk of affecting the operation of the CRG20.
FSYNC	20	O	5 V CMOS Logic	Frequency output synchronous to 1024 times the MEMS gyroscope resonant frequency. This signal will be in the range 13.7216 MHz to 14.9504 MHz. If the signal is used it should be buffered to reduce the risk of affecting the operation of the CRG20.
RESET_IN	29	I	Active Low	When activated with an active low pulse, the ASIC is reset and 20µs later an active low reset signal is sent to RESET_OUT.
RESET_OUT	30	O	Active Low	RESET_OUT effectively mirrors the signal properties of RESET_IN with a 20µs delay. RESET_OUT is designed to be connected to RESET_PROC to reset the processor following an ASIC reset.
RESET_PROC	26	I	Active Low	When activated with an active low pulse, the processor is reset to initial conditions. The ASIC is not reset. The recommendation is to connect RESET_PROC to RESET_OUT so that the processor and ASIC are reset at the same time (effectively resetting the device). See "Recommended Layout section for details).
SPI_IN	12	I	5 V CMOS Logic	SPI data input (MOSI). See "Serial Peripheral Interface Port" section for details.
SPI_OUT	11	O	5 V CMOS Logic	SPI data output (MISO). See "Serial Peripheral Interface Port" section for details.
SPI_SEL	13	I	Active Low	SPI chip select. This line is active low. See "Serial Peripheral Interface Port" section for details.
Miscellaneous Signals				
RESERVED	2	-	0 V	Reserved for use by Silicon Sensing Systems Ltd. Should be tied to 0 V.
RESERVED	23	-	0V	Reserved for use by Silicon Sensing Systems Ltd. Should be tied to 0 V.
RESERVED	25	-	-	Reserved for use by Silicon Sensing Systems Ltd. Should be left unconnected
RESERVED	27	-	-	Reserved for use by Silicon Sensing Systems Ltd. Should be left unconnected
RESERVED	28	-	-	Reserved for use by Silicon Sensing Systems Ltd. Should be left unconnected
RESERVED	32	-	-	Reserved for use by Silicon Sensing Systems Ltd. Should be left unconnected
RESERVED	33	-	0 V	Reserved for use by Silicon Sensing Systems Ltd. Should be tied to 0 V.
RESERVED	35	-	-	Reserved for use by Silicon Sensing Systems Ltd. Should be left unconnected

¹ Pin types include: Input (I), Output (O) and Ground (G).

RECOMMENDED CIRCUIT DESIGN

Schematic

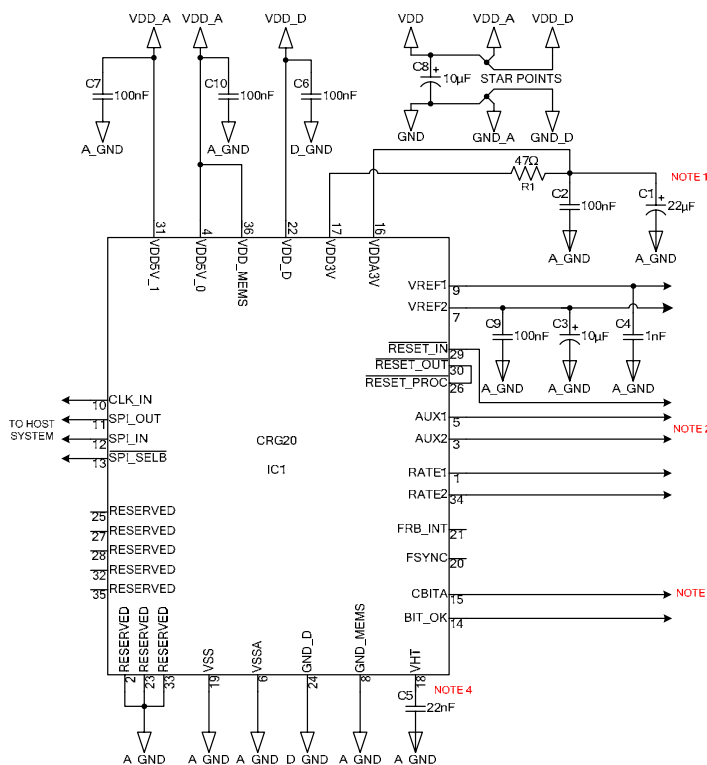


Figure 3

Bill Of Materials

No.	Ref. Des.	Value	Voltage	Tolerance	Package
1	IC1	CRG20	-	-	LCC-36
2	C1	22 µF	> 7 V	≤ 10 %	Case C

3	C2	100 nF	≥ 16 V	≤ 10 %	0603
4	C3	10 µF	≥ 16 V	≤ 10 %	Case B
5	C4	1 nF	≥ 16 V	≤ 10 %	0603
6	C5	22 nF	≥ 50 V	≤ 10 %	0603
7	C6	100 nF	≥ 16 V	≤ 10 %	0603
8	C7	100 nF	≥ 16 V	≤ 10 %	0603
9	C8	10 µF	≥ 16 V	≤ 10 %	Case B
10	C9	100 nF	≥ 16 V	≤ 10 %	0603
11	C10	100 nF	≥ 16 V	≤ 10 %	0603
12	R1	47Ω	≥ 16 V	≤ 1 %	0603

Table 2

Schematic Notes

- Note 1: Capacitor C1 should be chosen to have an effective series resistance (ESR) of between 0.1 Ω and 0.5 Ω.
- Note 2: If the auxiliary inputs are not used they should be tied to a voltage between GND and VDD such as VREF1 (effectively mid-rail). This will prevent the AUX inputs causing ADC overflow errors which would result in a BIT failure.
- Note 3: Pin 15 (CBITA) of IC1 must be pulled down to GND to avoid the command BIT sequence triggering erroneously.
- Note 4: Pin 18 (VHT) of IC1 is an high impedance, high DC voltage signal and is sensitive to leakage currents. For this reason, the track connecting to C5 from pin 18 of IC1 should not contain any vias (i.e. the capacitor should be on the same side as the CRG20).

General PCB Design Notes

- IC1 is a ceramic package with a coefficient of thermal expansion (CTE) of 7.1 ppm/K. Board materials shall be chosen accordingly to minimise thermal mismatch.
- A ground screen is not shown to improve clarity. While a screening layer is beneficial, care must be taken to minimise copper as this increases the CTE of the board (see above). Hatched screens may be used to minimise this effect.
- ½ Ounce copper is recommended.
- If components are to be mounted on both sides of the board, care shall be taken to minimise the track lengths connecting decoupling capacitors to IC1, especially the capacitor C7 between pins 19 and 31
- The tracks labelled 'VDD' and 'GND' shall be connected to the

CRG20 Digital Angular Rate Sensor

system 5V and ground, respectively. Care shall be taken to minimise the resistance and inductance of these tracks, hence these tracks shall be as short as possible.

- The recommended package size for components has been chosen for ease of availability and is not restricted providing the values and tolerances are met.

PCB Layout

The recommended PCB layout shown in Figures 4 to 9 has been tracked on 2 layers for simplicity. Higher numbers of board layers can be used for screening, although attention must be paid to the CTE of the package and matching it to that of the PCB material. Copper layers increase the CTE of FR4. Figure 4 shows the different Gerber data layers stacked together to represent the entire PCB.

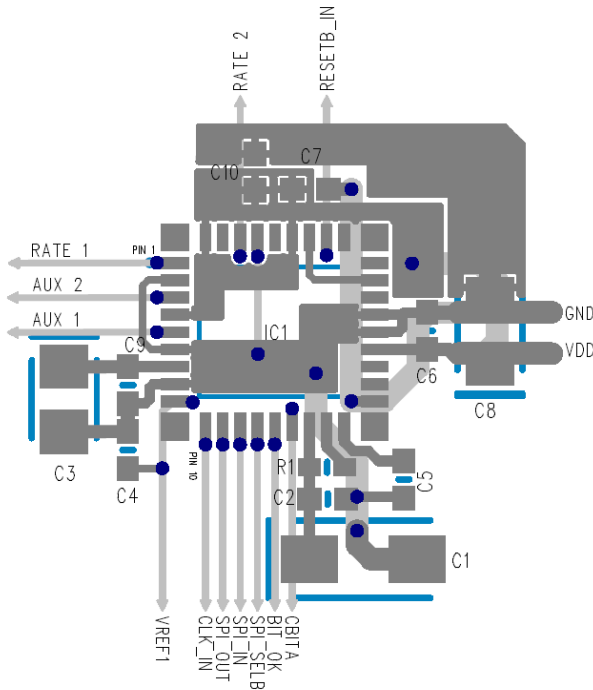


Figure 4

The recommended pad layout for the CRG20 36 pad LCC package is shown in Figure 5 and has been designed according to IPC 7351.

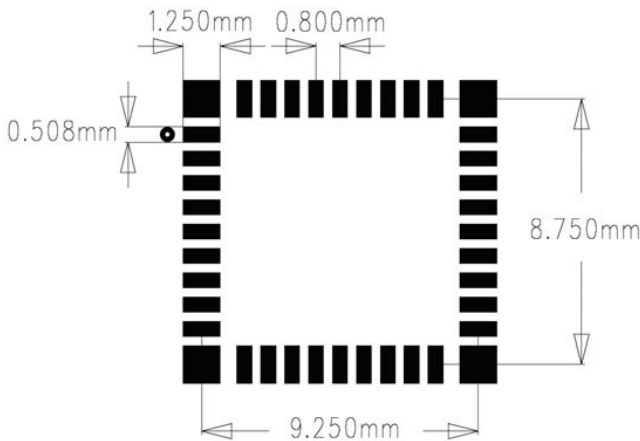


Figure 5

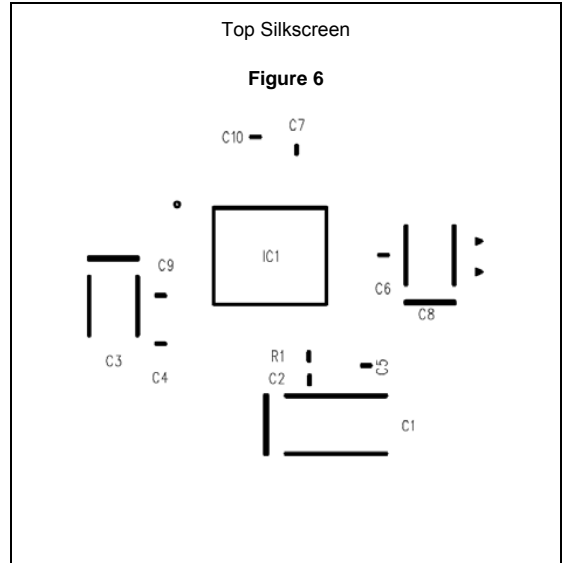
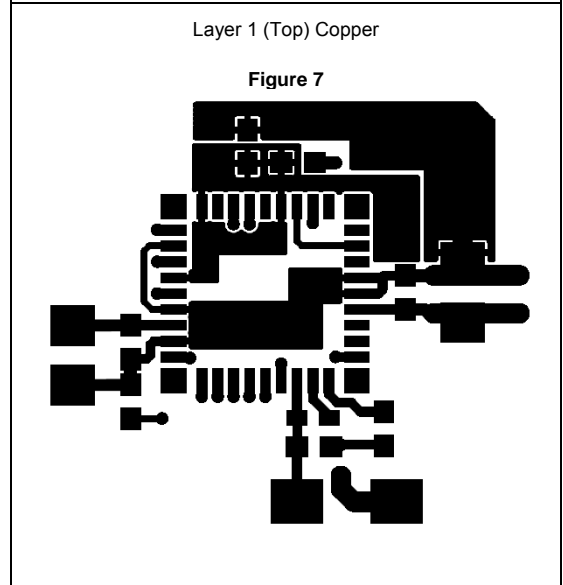
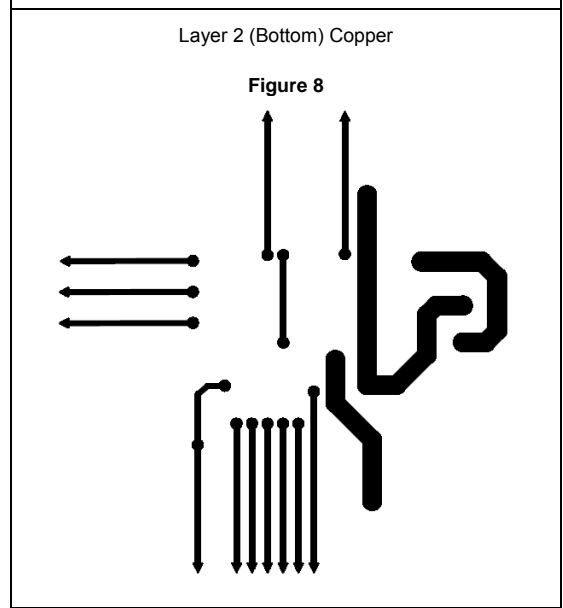


Figure 6



Layer 1 (Top) Copper

Figure 7



Layer 2 (Bottom) Copper

Figure 8

CRG20 Digital Angular Rate Sensor

THEORY OF OPERATION

The CRG20 uses a bulk silicon Micro-Machined ring structure, a mixed signal ASIC and a processor to make a single axis yaw rate sensor.

Principle

The Silicon ring is driven in a $\cos 2\theta$ mode shape to produce the radial velocity components required to make a Coriolis gyroscope.

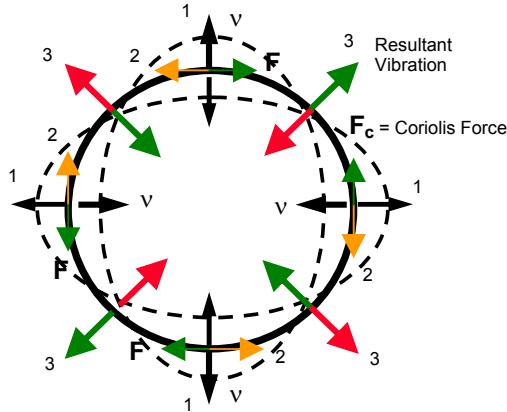


Figure 9

Figure 9 shows the movement of the silicon ring while vibrating:- As the ring oscillates in its natural state the ring moves in the way shown by (1). When the gyro is turned, the Coriolis force acts on the ring as shown by (2). This causes a resultant vibration 45° out of alignment with the primary vibration, as shown by (3). The force required to completely null this resultant vibration is directly proportional to the angular rate.

Implementation

Eight uniformly spaced capacitive transducers are placed around the ring to form 2 pairs of drive transducers and 2 pairs of pickoff transducers.

One pair of diametrically opposed drive transducers is used to excite the $\cos 2\theta$ mode with the phase and amplitude sensed by the corresponding pickoff transducer pair. The drive amplitude and frequency is controlled by the ASIC and Processor to establish an accurate radial velocity component at the resonant frequency of the structure. This sets the basic operating point and scale factor of the system.

A secondary rate nulling loop is set up using the other drive and pickoff transducer pairs to enable the Coriolis forces (generated by applied angular rate) to be detected and servoed to zero using digital filters within the processor. This fully closed loop operation largely removes dependency of performance on the mechanical Q of the resonator and enables a very accurate level of bias and scale factor performance to be achieved without any compensation. The force required to null the coriolis force becomes an accurate measure of the applied angular rate.

All loop controllers and filtering are implemented within the processor so the rate (and other information) is available directly in digital form. This eliminates performance variation or drift in more typical analogue control loops, as the numeric control is inherently free from ageing, temperature and manufacture tolerances. All numeric processing is synchronised to the MEMS resonant frequency, so as to eliminate phase related detector errors commonly found in MEMS sensors.

The derived rate data is digitally filtered, scaled and then output via the SPI bus.

For legacy applications, the rate data is also converted to analogue format (with factory programmable scale factor and bias) and output on RATE1 and RATE2.

The digital rate data is output on the SPI interface together with other data (see SERIAL PERIPHERAL INTERFACE PORT) to produce a high integrity system

HIGH INTEGRITY RATE SENSING

A passive BIT system continuously monitors the health of the CRG20, incorporating the following techniques

Structure Integrity

The structure has been designed to 'fail silent' such that, in the unlikely event of the MEMS suffering mechanical damage, it will immediately stop vibrating as the changes in the mechanical tuning of the structure will cause significant change to the ring resonant frequency. Also, as there is only one interface to the structure, it isn't possible to lose part of it and continue to operate with reduced sensitivity.

System Node Observation

Due to the digital implementation of the control loops, every node can be monitored within the DSP code without additional complex circuitry or time delays. The subsequent reporting forms part of the standard payload of the SPI interface, available within every message, at one millisecond intervals

Analogue Feedback

The digital rate output is converted to an analogue voltage by passing through the internal SPI bus from the DSP to the ASIC. This value is converted in the same DAC as is used for force-rebalance. Two separate checks are now possible. Firstly, the analogue rate can be digitised by a host system, and compared with the rate as reported over the SPI bus. Secondly, this analogue signal can be connected to an auxiliary input of the same ADC as is used to monitor the transducers. It is redigitised within the sensor and presented to the host as an auxiliary data field in the SPI payload. Consequently, there are three measures of yaw rate that can be compared – providing triple verification.

DSP Verification

Conventional systems using a DSP have a residual failure mode whereby corruption of the arithmetic unit could cause the sensor to report an incorrect rate output with no means of internally validating the result. In CRG20, this is prevented by utilising time variant data to check for a predictable result to a test calculation. Using the low order byte of rate data from the previous message, a test calculation is run that exercises all of the operation types required to implement the control loop filters, and a packet of data is generated within the next SPI message payload (rate check byte). This is verified by the host, simply by implementing the same calculation, confirming the ALU integrity of both the CRG20 and the host.

COMMANDED BIT

The failure identification mechanisms described in the preceding sections operate continuously without interrupting or modifying the rate output. This is regarded as Continuous or Background Built In Test (BIT). There is also a commanded BIT, which is provided for backwards compatibility with legacy systems. In response to an external command, (either via the SPI interface or in response to a standard logic high level applied to the "CBITA" input), the secondary loop is disturbed to artificially invoke a fixed rate offset. This causes the output to change by a predetermined offset, which can be detected by the host system either via the SPI interface or via the analogue output.



CRG20 Digital Angular Rate Sensor

SERIAL PERIPHERAL INTERFACE PORT

Communication with the CRG20 uses a serial peripheral interface (SPI) port, in which the CRG20 behaves as the slave. The SPI port includes four signals: SPI select (SPI_SEL), serial clock in (CLK_IN), MOSI or SPI data in (SPI_IN) and MISO or SPI data out (SPI_OUT). The SPI_SEL line enables the CRG20 SPI port and frames each communication. When the SPI_SEL line is high, SPI_OUT is held in a high impedance state and signals on CLK_IN and SPI_IN are ignored by the CRG20.

A communication consists of a 48-bit data frames split into 6 8-bit bytes. The SPI port operates in full duplex mode, which means that as data is transmitted to the CRG20 on SPI_IN, it is also received from the CRG20 on SPI_OUT.

Table 3 shows detailed timing information referenced from Figure 10 and Figure 11, which shows the detail of the SPI port data structure.

Table 3 - SPI Port Timing Information

Parameter	Min Value	Max Value	Unit	Description
t _{CLK}	0.8		µs	CLK_IN period.
t ₁	5		µs	SPI_SEL to CLK_IN setup time.
t ₂	0.4 x t _{CLK}		µs	CLK_IN high pulse width.
t ₃	0.4 x t _{CLK}		µs	CLK_IN low pulse width.
t ₄	1.1		µs	Delay between successive bytes.
t _Q	730		µs	Minimum quiet time required between SPI_SEL rising and start of next communication (Note 1)
t _h	0		µs	SPI_SEL hold time after final clock
t _m	53.5	270	µs	message duration (note 1)
t _{tot}	950		µs	repetition rate (Note 1)

Note 1: A quiet time (t_q) between messages is required, and t₁ + T_m + T_h + t_q = T_{tot}. Optimum performance is achieved with a repetition rate of 1ms. Select an appropriate T_{clk} to meet the requirements of T_m, and then adjust t_q to give a T_{tot} of 1ms

EXTERNAL SYSTEM TO CRG20 MESSAGES

The data frames from the external system to the CRG20 are in the following format:

Byte	Function
0	Control Byte
1	Reserved
2	Reserved
3	Reserved
4	Reserved
5	Checksum

Control Byte:

RES	RES	RES	RES	CBITA	NMT2	NMT1	NMT0
bit 7							bit 0

- bit 7-4 : **RES** : Reserved
Set to 0
- bit 3 : **CBITA** : Commanded Built In Test A
0 = Deactivate CBIT_A test
1 = Activate CBIT_A test (see CBITA function)
- bit 2-0 : **NMT2:NMT0** : Next Message Type
000 = Basic rate data (default)
001 = Rate /Aux1 sensor data
010 = Rate / Aux2 sensor data
011 = Rate / Temperature sensor data
100 = Device configuration 1 data
101 = Device configuration 2 data
110 = Reserved
111 = Reserved

Reserved:

RES	RES	RES	RES	RES	RES	RES	RES
bit 7							bit 0

- bit 7-0 : **RES** : Reserved
Set to '00' hex

Checksum:

CHK7	CHK6	CHK5	CHK4	CHK3	CHK2	CHK1	CHK0
bit 7							bit 0

- bit 7-0 : **CHK7:CHK0** : Checksum
1s complement of the sum of bytes 0 - 4

The checksum is the 1s complement of sum of the previous 5 bytes

CRG20 to External System Messages

The data frames transmitted from the CRG20 to the external system are in the following format:

Byte	Function
0	Status Byte
1	Data 0
2	Data 1
3	Data 2
4	Data 3
5	Checksum

Each message from the CRG20 begins with a status byte contained in byte 0 and a checksum in byte 5.

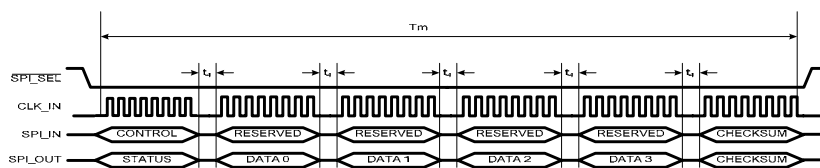


Figure 10 - SPI Data Frame Structure

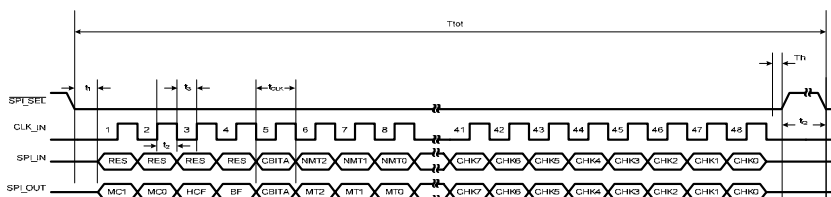


Figure 11 - SPI Data Timing Diagram



CRG20 Digital Angular Rate Sensor

Status Byte:

MC1	MC0	HCF	BF	CBITA	MT2	MT1	MT0
-----	-----	-----	----	-------	-----	-----	-----

bit 7 bit 0

- bit 7-6 : **MC1:MC0** : Message Count
Incremented by the CRG20 each time the host system takes a message.
- bit 5 : **HCF** : Host communications fault
0 = No fault detected
1 = Communications fault detected
- bit 4 : **BF** : Built in test (BIT) fault
0 = Gyro output OK
1 = BIT Failure
- bit 3 : **CBITA** : CBITA active
0 = CBIT_A test inactive
1 = CBIT_A test in progress
- bit 2-0 : **MT2:MT0** : Message type
000 = Basic rate data (default)
001 = Rate /Aux1 sensor data
010 = Rate / Aux2 sensor data
011 = Rate / Temperature sensor data
100 = Device configuration 1 data
101 = Device configuration 2 data

Checksum:

CHK7	CHK6	CHK5	CHK4	CHK3	CHK2	CHK1	CHK0
------	------	------	------	------	------	------	------

bit 7 bit 0

- bit 7-0 : **CHK7:CHK0** : Checksum
1s complement of the sum of bytes 0 - 4

Depending on the message type requested in NMT2:NMT0 in the previous control byte from the host, the data bytes (*Data 3: Data 0*) in the subsequent data frame from the CRG20 contain the following data, indicated by NMT2:NMT0:

Basic Rate Data Message (NMT2:NMT0 = 000)

Byte	Function	Description
0	Status Byte	
1	Rate MS	Nominally $\pm 350^\circ/s$, 0.03125 $^\circ/s/lsb$
2	Rate LS	
3	Rate Check Byte	See Page 9
4	Reserved	Reserved
5	Checksum	

Rate / Aux1 Message (NMT2:NMT0 = 001)

Byte	Function	Description
0	Status Byte	
1	Rate MS	Nominally $\pm 350^\circ/s$, 0.03125 $^\circ/s/lsb$
2	Rate LS	
3	Aux1 MS	Aux1 data (signed integer), 1.22 mV/lsb
4	Aux1 LS	
5	Checksum	

Rate / Aux2 Message (NMT2:NMT0 = 010)

Byte	Function	Description
0	Status Byte	
1	Rate MS	Nominally $\pm 350^\circ/s$, 0.03125 $^\circ/s/lsb$
2	Rate LS	
3	Aux2 MS	Aux2 data (signed integer), 1.22 mV/lsb
4	Aux2 LS	
5	Checksum	

Rate / Temperature Sensor Message (NMT2:NMT0 = 011)

Byte	Function	Description
0	Status Byte	
1	Rate MS	Nominally $\pm 350^\circ/s$, 0.03125 $^\circ/s/lsb$
2	Rate LS	
3	Temperature MS	-50 $^\circ C$ to 145 $^\circ C$, 0.125 $^\circ C/lsb$
4	Temperature LS	
5	Checksum	

Device Configuration 1 Message (NMT2:NMT0 = 100) – Default on power up

Byte	Function	Description
0	Status Byte	
1	Bits (7:4) Bits (3:0)	Model rate range (e.g. 3 = 75 $^\circ/s$) Model bandwidth (e.g. 1 = 100Hz)
2	Bits (7:4) Bits (3:0)	Spare bits Model variant
3	Software Version	Software variant number
4	Bits (7:5) Bits (4:0)	Spare bits Year of manufacture
5	Checksum	

Device Configuration 2 Message (NMT2:NMT0 = 101)

Byte	Function	Description
0	Status Byte	
1	Bits (7:4) Bits (3:0)	Month of manufacture (3:0) Package lot number (11:8)
2	Bits (7:0)	Package lot number (7:0)
3	Bits (7:6) Bits (5:0)	Assembly plant (1:0) Device serial number (13:8)
4	Bits (7:0)	Device serial number (7:0)
5	Checksum	

Note: The contents of the two device configuration messages give each sensor a unique serial number.

Note: If an incorrect message is received, the CRG20 will continue to transmit the message chosen in the last valid request. Upon power up, the CRG20 will output the device configuration 1 message until a valid control signal is received.

EXTERNAL INTERFACE DISCRETE SIGNALS

Two discrete signals are part of the external host interface of the CRG20:

CBITA (Input)

The CRG20 has the ability to initiate a commanded built in test. This is used as a test to ensure the device is functioning correctly, by exercising the CRG20 MEMS structure, the rate sensing loops and drive and pickoff electronics. CBITA works by applying an offset to the loops running inside the rate sensor, which results in a 10 $^\circ/s$ relative bias in the rate output. The timing of the offset in relation to the state of the CBITA pin is shown in Figure 10.

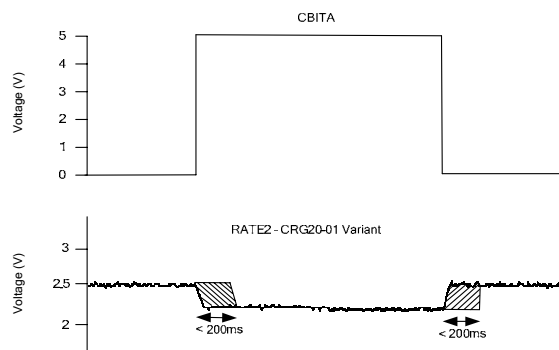


Figure 10 - CBITA Timing

CBITA Logic Levels

- CBITA = 0 The CBITA test will be disabled.
- CBITA = 1 The CRG20 will initiate a CBITA test, in which a nominal offset bias of 10 $^\circ/s$ will be applied to the rate output.

CRG20 Digital Angular Rate Sensor

BIT_OK (output)

While operational, the CRG20 performs continuous self-checks during operation and outputs the gross operational state of the CRG20 with the BIT_OK flag.

The built in test (BIT) function is a comprehensive test of the sensor and the signal conditioning circuits. BIT_OK can take up to 500ms to show a valid rate output after the CRG20 is powered up, as shown in Figure 11.

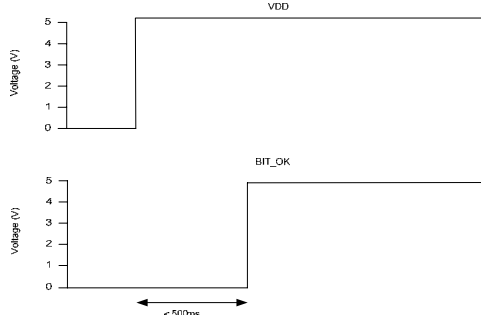


Figure 11 - BIT_OK Timing

During normal operation, the BIT_OK flag is set within 25mS of a fault condition.

BIT_OK Logic Levels

BIT_OK = 0 The rate output from the CRG20 is invalid, as the built in test has failed (or CBIT is running)

BIT_OK = 1 The rate output is valid.

RESET_IN (input)

The CRG20 has a discrete input which is capable of resetting the device. The RESET_IN input is an active-low signal. When pulled low for a minimum of $2\mu\text{s}$, the ASIC in the CRG20 enters a reset state. If the RESET_OUT and RESET_PROC pins are connected, the ASIC will then also reset the processor in the CRG20. The timing of the reset sequence is shown in Figure 12.

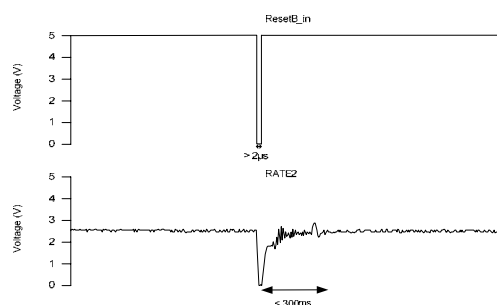


Figure 12 - RESET_IN Timing

RESET_IN Logic Levels

RESET_IN = 0 After a minimum of $2\mu\text{s}$, the CRG20 is held in reset.

RESET_IN = 1 The CRG20 is in normal operation.

Auxiliary Input Channels

CRG20 has a pair of Auxiliary Analogue Inputs that are available to the user. These inputs are converted into digital format synchronised to the operation of the gyro. The data can be accessed as single packets for each input together with rate information.

The measurements can be read by the host system using the "Rate / Aux 1" and "Rate / Aux 2" message types (see page 11).

There are three constraints that the user needs to be aware of:

1. To maximise the fault detection capability of the sensor system, the inputs are checked for underflow and overflow. Therefore, it is essential to constrain the input signal between $V_{SSA} + 0.25\text{V}$ to $V_{DD5V} - 0.25\text{V}$. Failure to do so will be interpreted as an invalid input signal and result in a logic '1' in bit 4 of the Status byte. (BF : Built in test (BIT) fault)
2. The input impedance of the auxiliary channels lies between $50\text{k}\Omega$ and $300\text{k}\Omega$, with up to 10pF of input capacitance. It is therefore necessary to ensure that the input is fed from a source that has sufficiently low output impedance that the signal is not adversely attenuated by the aux input itself.
3. The Aux inputs are sampled and converted for a maximum data rate of 1kHz . Therefore, the input signal must be constrained to not exceeding 500Hz to prevent aliasing.

Analogue Rate Output Channels

There are two analogue rate outputs from the CRG20, RATE1 and RATE2. Both rate outputs are referenced to VREF1, bipolar (around VREF1) and directly proportional to the applied rate.

RATE1 has a minimum voltage range of $\pm 2.1\text{V}$ with respect to VREF1. When positive rate is applied, the voltage increases (within the rate limits of the gyro).

RATE2 is effectively the RATE1 output scaled by -0.9 , giving it a minimum voltage range of $\pm 1.89\text{V}$ with respect to VREF1. When positive rate is applied to the CRG20, the RATE2 output voltage decreases (within the rate limits of the gyro).

The smaller voltage range used for RATE2 allows the signal to be used to show BIT failure. When a BIT failure occurs (with the exception of CBIT being asserted), the RATE2 output falls to within 0.1V of VSS. During normal operation, the decreased voltage range means the output will never reach this level.

Voltage References

The CRG20 has two voltage reference outputs.

VREF1 is the $0^\circ/\text{s}$ rate reference for the RATE1 and RATE2 analogue output channels. VREF1 is nominally $(V_{DD5V} - V_{SS}) / 2$. VREF1 has an offset error of no greater than $\pm 14\text{mV}$.

VREF2 is used internally by the ASIC in the CRG20. It is nominally $(V_{DD5V} - V_{SS}) / 3$ and is only brought out to a pad as it requires decoupling (see RECOMMENDED LAYOUT).



CRG20 Digital Angular Rate Sensor

MECHANICAL DESIGN

Package Outline Dimensions

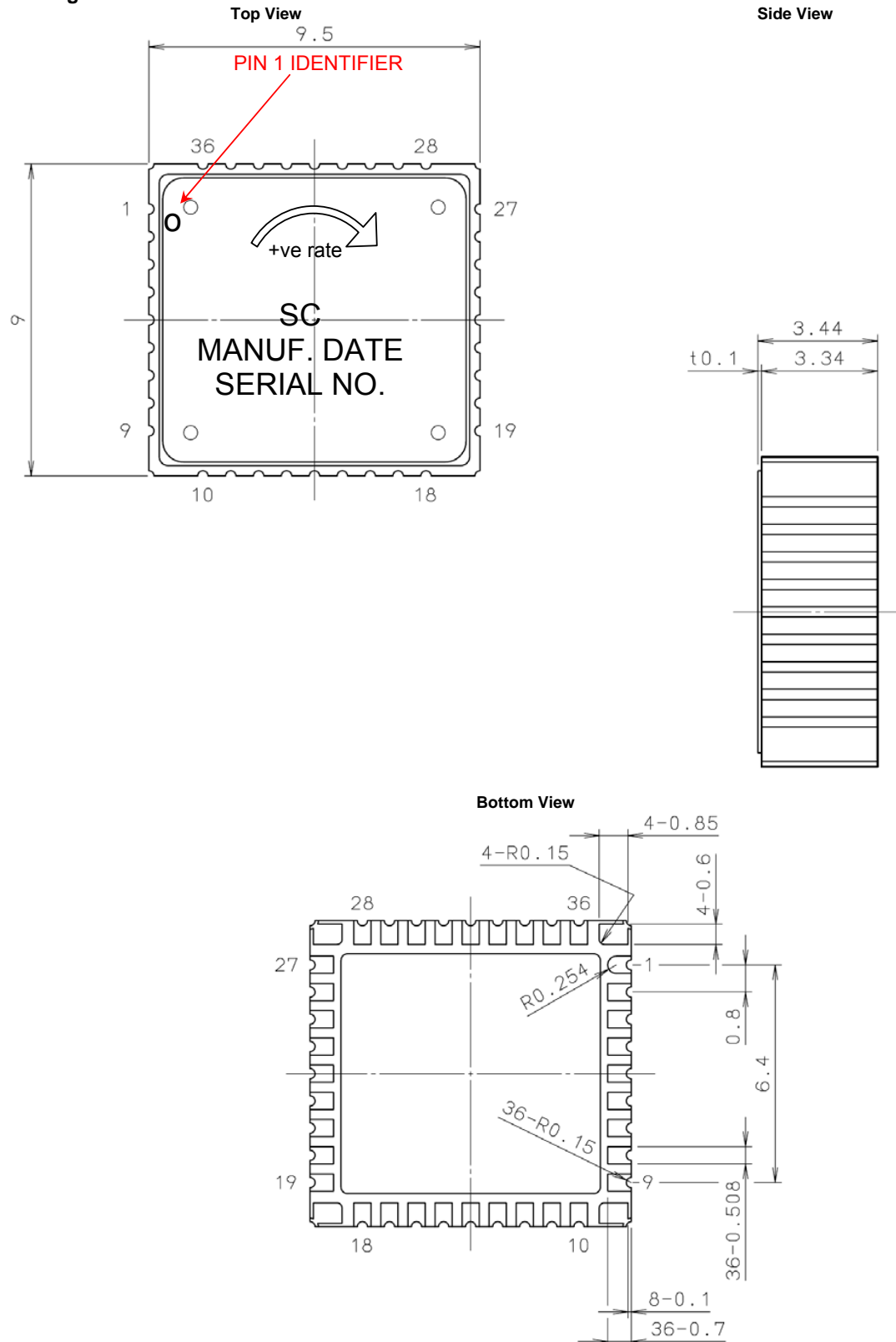


Figure 13 - Package Outline Dimensions



CRG20 Digital Angular Rate Sensor

Alignment & Tilt Specification

In order to ensure the cross-axis sensitivity specification is met, the CRG20 should be mounted parallel to the board so that after soldering it has a tilt of 0.25° or less, with respect to the mounting surface.

Recommended Solder Conditions

The CRG20 is designed to be reflow soldered to a PCB. It is recommended that lead-free solder flow conditions should not exceed 235°C with a dwell over 220°C of less than 60 seconds. However, short duration dwells of 10 seconds or less at temperatures of up to 260°C can be tolerated.

Package Details

The CRG20 package is made from alumina high temperature co-fired ceramic (HTCC).

The pads on the CRG20 are electroplated with 5 µm of nickel, followed by up to 0.5 µm of electroplated gold.

Product Environmental Management Compliance

The DMU02 complies with the requirements of the RoHS and WEEE directives

Silicon Sensing Systems reserves the right to make changes without further notice to any products herein. Silicon Sensing Systems makes no warranty, representation or guarantee regarding the suitability of its products for any particular purpose, nor does Silicon Sensing Systems assume any liability arising out of the application or use of any product or circuit, and specifically disclaims any and all liability, including without limitation consequential or incidental damages. "Typical" parameters which may be provided in Silicon Sensing Systems datasheets and/or specifications can and do vary in different applications and actual performance may vary over time. All operating parameters, including "Typicals" must be validated for each customer application by customer's technical experts. Silicon Sensing Systems does not convey any licence under its patent rights nor the rights of others. Silicon Sensing Systems products are not intended for any application in which the failure of the Silicon Sensing Systems product could create a situation where personal injury or death may occur. Should Buyer purchase or use Silicon Sensing Systems products for any such unintended or unauthorised application, Buyer shall indemnify and hold Silicon Sensing Systems and its officers, employees, subsidiaries, affiliates, and distributors harmless against all claims, costs, damages, and expenses, and reasonable legal fees arising out of, directly or indirectly, any claim of personal injury or death associated with such unintended or unauthorised use, even if such claim alleges that Silicon Sensing Systems was negligent regarding the design or manufacture of the part.



Phone: +44 1752 723330 • Fax: +44 1752 723331
sales@siliconsensing.com • www.siliconsensing.com



Headquarter Switzerland:
Pewatron AG
Thurgauerstrasse 66
CH-8050 Zurich
Phone +41 44 877 35 00
info@pewatron.com

Office Germany:
Pewatron Deutschland GmbH
Edisonstraße 16
D-85716 Unterschleißheim
Phone +49 89 374 288 87-0
info.de@pewatron.com



PEWATRON
SENSORS · POWER SOLUTIONS

We are here for you. Addresses and Contacts.

Sales Germany & Austria

Postcode 00000 – 31999
Postcode 38000 – 39999
Postcode 80000 – 99999
Austria

Kurt Stritzelberger

Phone +49 89 260 52 80
Mobile +49 171 803 41 35

kurt.stritzelberger@pewatron.com

Postcode 32000 – 37999
Postcode 40000 – 79999

Gerhard Vetter

Phone +49 674 394 75 75
Mobile +49 163 762 74 30

gerhard.vetter@pewatron.com

Geometrical sensors
Sensor elements

Thorsten Ravagni

Phone +49 60 479 53 627

thorsten.ravagni@pewatron.com

Sales Switzerland & Liechtenstein

Postcode 3000 – 9999

Basil Frei

Phone +41 44 877 35 18
Mobile +41 76 279 37 26

basil.frei@pewatron.com

Postcode 1000 – 2999

Christian Mohrenstecher

Mobile +41 76 444 57 93

christian.mohrenstecher@pewatron.com

Sales International Key Accounts

Peter Felder

Phone +41 44 877 35 05
Mobile +41 79 406 49 83

peter.felder@pewatron.com

Sales Other Countries / Product Management

Pressure Sensors

Philipp Kistler
Phone +41 44 877 35 03
philipp.kistler@pewatron.com

Accelerometers / Level Flow sensor elements

Thorsten Ravagni
Phone +49 60 479 53 627
thorsten.ravagni@pewatron.com

Drive technology CH Postcode 5000 – 9999 / DE

Roman Homa
Mobile +41 76 444 00 86
roman.homa@pewatron.com

Gas sensors / Gas sensor modules Load cells

Dr. Thomas Clausen
Phone +41 44 877 35 13
thomas.clausen@pewatron.com

Power supplies

Sebastiano Leggio
Phone +41 44 877 35 06
sebastiano.leggio@pewatron.com

Drive technology CH Postcode 1000 – 4999 / AT / IT / FR

Christian Mohrenstecher
Mobile +41 76 444 57 93
christian.mohrenstecher@pewatron.com

Flow / Level / Medical products

Dr. Adriano Pittarelli
Phone +49 8245 774 95 44
adriano.pittarelli@pewatron.com

Linear position sensors Angle sensors

Eric Letsch
Phone +41 44 877 35 14
eric.letsch@pewatron.com

Current sensors Power solutions

Osman Coban
Phone +49 71 635 363 898
osman.coban@pewatron.com