

# CRS07

## Angular Rate Sensor



A robust and affordable mass-produced miniature gyroscope for applications in which space is critical.

Angular rate sensors are used wherever rate of turn sensing is required without a fixed point of reference. The sensor will output a DC voltage proportional to the rate of turn and input voltage.

High performance motion sensing even under severe shock and vibration.

Whatever your application, the unique silicon ring technology, coupled with closed loop electronics, gives advanced and stable performance over time and temperature, overcoming the mount sensitivity problems experienced with simple beam or tuning fork based sensors.

### Key Features

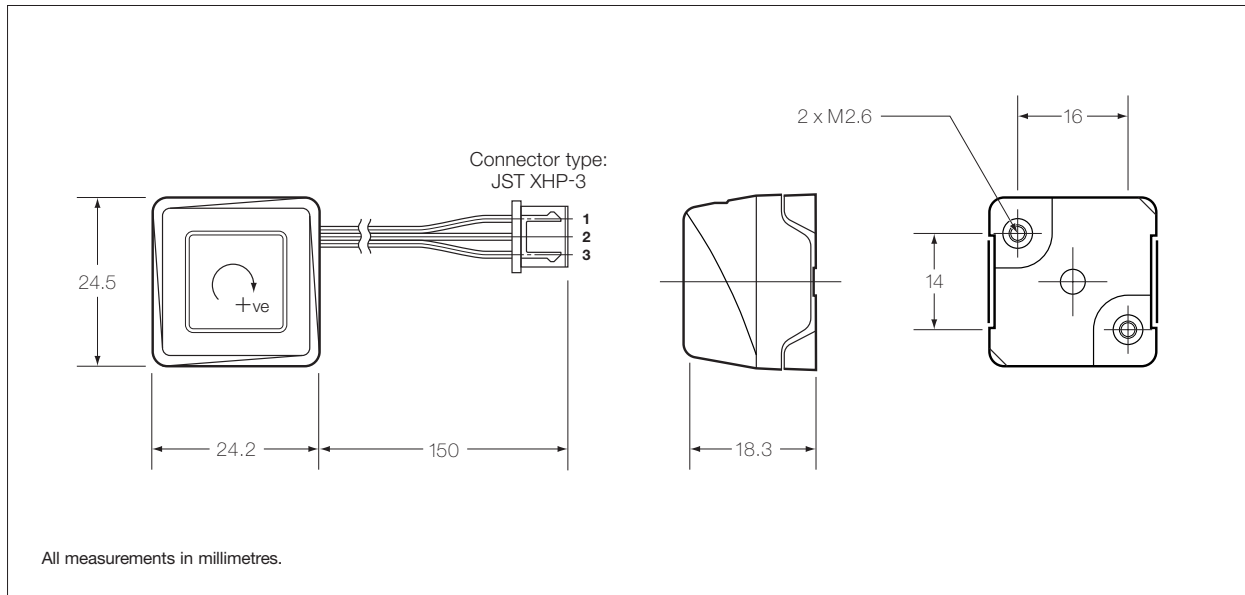
- Ultra-small size
- Excellent performance over temperature
- Repeatable drift characteristic
- High shock and vibration operation



© Silicon Sensing is an Atlantic Inertial Systems, Sumitomo Precision Products joint venture company

# CRS07

## Angular Rate Sensor



### Specification

Specification (Typical Data)	CRS07-02S
<b>Angular Rate Range</b>	$\pm 100^\circ/\text{s}$
<b>Output</b>	Analogue voltage (ratiometric)
<b>Scale Factor</b>	
Nominal	20mV/ $^\circ/\text{s}$
Variation over temperature range	< $\pm 5\%$
Nonlinearity	< $\pm 0.5\%$ of full scale
<b>Bias</b>	
Setting tolerance	< $\pm 3^\circ/\text{s}$
Variation over temperature range	< $\pm 3^\circ/\text{s}$
Ratiometric error	< $\pm 1^\circ/\text{s}$
Drift vs. time	< $\pm 0.55^\circ/\text{s}$ in any 30s period (after start-up time)
g sensitivity	< $\pm 0.1^\circ/\text{s}/\text{g}$ on any axis
<b>Bandwidth</b>	> 10Hz (-3dB)
<b>Quiescent Noise</b>	< 1mV rms
<b>Environment</b>	
Temperature	-40°C to +85°C
Linear acceleration	< 100g
Shock	200g (1ms, 1/2 sine)
Vibration	2g rms (20Hz to 2kHz, random)
Cross-axis sensitivity	< 5%
<b>Mass</b>	< 10 gram
<b>Electrical</b>	
Supply voltage	+4.75V to +5.25V
Supply current	< 35mA (steady state)
Noise and ripple	< 15mV rms (DC to 100Hz)
Start-up time	< 0.2s
<b>RoHS Compliance</b>	Yes (S suffix)

### Pin Connections

1	+5V
2	0V
3	Rate Output
4	Not Used

Silicon Sensing Systems Limited  
Clifford Road Southway  
Plymouth Devon  
PL6 6DE United Kingdom

T: +44 (0)1752 723330  
F: +44 (0)1752 723331  
E: sales@siliconsensing.com  
W: siliconsensing.com

Silicon Sensing Systems Japan Limited  
1-10 Fuso-Cho  
Amagasaki  
Hyogo 6600891 Japan

T: +81 (0)6 6489 5868  
F: +81 (0)6 6489 5910  
E: sales@siliconsensing.com  
W: siliconsensing.com

Specification subject to change without notice.

© Copyright 2007  
Silicon Sensing Systems Limited  
All rights reserved.  
Printed in England 04/07

Silicon Sensing Systems Limited Registered in England & Wales No. 3635234 Clifford Road, Southway, Plymouth, Devon PL6 6DE  
The device mark Silicon Sensing is a registered trade mark of Silicon Sensing Systems Community Trade Mark 003587664

Headquarter Switzerland:  
Pewatron AG  
Thurgauerstrasse 66  
CH-8050 Zurich  
Phone +41 44 877 35 00  
info@pewatron.com

Office Germany:  
Pewatron Deutschland GmbH  
Edisonstraße 16  
D-85716 Unterschleißheim  
Phone +49 89 374 288 87-0  
info.de@pewatron.com



**PEWATRON**  
SENSORS · POWER SOLUTIONS

## We are here for you. Addresses and Contacts.

---

### Sales Germany & Austria

Postcode 00000 – 31999  
Postcode 38000 – 39999  
Postcode 80000 – 99999  
Austria

Kurt Stritzelberger

Phone +49 89 260 52 80  
Mobile +49 171 803 41 35

kurt.stritzelberger@pewatron.com

Postcode 32000 – 37999  
Postcode 40000 – 79999

Gerhard Vetter

Phone +49 674 394 75 75  
Mobile +49 163 762 74 30

gerhard.vetter@pewatron.com

**Geometrical sensors**  
**Sensor elements**

Thorsten Ravagni

Phone +49 60 479 53 627

thorsten.ravagni@pewatron.com

---

### Sales Switzerland & Liechtenstein

Postcode 3000 – 9999

Basil Frei

Phone +41 44 877 35 18  
Mobile +41 76 279 37 26

basil.frei@pewatron.com

Postcode 1000 – 2999

Christian Mohrenstecher

Mobile +41 76 444 57 93

christian.mohrenstecher@pewatron.com

### Sales International Key Accounts

Peter Felder

Phone +41 44 877 35 05  
Mobile +41 79 406 49 83

peter.felder@pewatron.com

---

### Sales Other Countries / Product Management

#### Pressure Sensors

Philipp Kistler  
Phone +41 44 877 35 03  
philipp.kistler@pewatron.com

#### Accelerometers / Level Flow sensor elements

Thorsten Ravagni  
Phone +49 60 479 53 627  
thorsten.ravagni@pewatron.com

#### Drive technology CH Postcode 5000 – 9999 / DE

Roman Homa  
Mobile +41 76 444 00 86  
roman.homa@pewatron.com

#### Gas sensors / Gas sensor modules Load cells

Dr. Thomas Clausen  
Phone +41 44 877 35 13  
thomas.clausen@pewatron.com

#### Power supplies

Sebastiano Leggio  
Phone +41 44 877 35 06  
sebastiano.leggio@pewatron.com

#### Drive technology CH Postcode 1000 – 4999 / AT / IT / FR

Christian Mohrenstecher  
Mobile +41 76 444 57 93  
christian.mohrenstecher@pewatron.com

#### Flow / Level / Medical products

Dr. Adriano Pittarelli  
Phone +49 8245 774 95 44  
adriano.pittarelli@pewatron.com

#### Linear position sensors Angle sensors

Eric Letsch  
Phone +41 44 877 35 14  
eric.letsch@pewatron.com

#### Current sensors Power solutions

Osman Coban  
Phone +49 71 635 363 898  
osman.coban@pewatron.com