

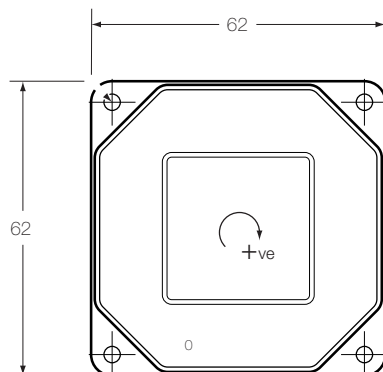
CRS09A

Angular Rate Sensor



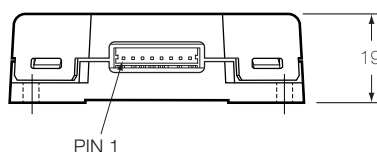
For full technical datasheets please go to our website where the documents can be downloaded

All dimensions in millimetres



Connector: 53254-0870 (Molex)
Mating Connector: 51065-0800 (Molex)
(This connector with 500mm cable is included with each CRS09A).
Note that the Manufacturer's (Molex) identification of Pin 1 should be Ignored.

See Technical Datasheet for more information.



Typical Data

	CRS09A-01	CRS09A-02
	CRS09A-11	CRS09A-12
Angular Rate Range	±200°/s	±100°/s
Output	Analogue (non-ratiometric)	
Scale Factor		
Nominal	10mV/°/s	20mV/°/s
Setting tolerance (23°C)	±1%	
Variation over temperature range	< ±1%	
Non-linearity	0.1% of full scale	
Bias		
Setting tolerance (23°C)	< ±1°/s	
Variation over temperature range	< ±3°/s (CRS09-01 and CRS09-02) < ±1°/s (CRS09-11 and CRS09-12)	
Angular Random Walk	0.1°/rt hr	
Bias instability	3°/hr	
Bandwidth (typical)	55Hz	
Quiescent Noise		
3 to 30Hz	0.03°/s rms	
Environment		
Temperature	-40°C to +85°C	
Linear acceleration	tba	
Shock	tba	
Vibration	10g rms (20Hz to 2kHz, random)	
Cross-axis sensitivity	2%	
Mass	60 grams	
Electrical		
Supply voltage	+4.75V to +5.25V	
Supply current	100mA (steady state)	
Noise and ripple	< 15mV (0.5Hz to 100Hz)	
Start-up time	< 0.5s	
RoHS Compliant	Yes	

Pin Connections

- 1 GND
- 2 +5V
- 3 Rate Output
- 4 Reference
- 5 TMP
- 6 Do Not Connect
- 7 FRQ
- 8 Not Connected

Silicon Sensing Systems Limited
Cliffatford Road, Southway,
Plymouth, Devon
PL6 6DE United Kingdom

T +44 (0)1752 723330
F +44 (0)1752 723331
E sales@siliconsensing.com
W siliconsensing.com

Silicon Sensing Systems Japan Limited
1-10 Fuso-Cho,
Amagasaki,
Hyogo 6600891, Japan

T +81 (0)6 6489 5868
F +81 (0)6 6489 5919
E sssj@spp.co.jp
W siliconsensing.com

Specification subject to change without notice.

© Copyright 2017
Silicon Sensing Systems Limited
All rights reserved. Printed in England 08/17

CRS09A-00-0100-131 Rev 2
DCR No. 710013390

Silicon Sensing Systems Limited Registered in England & Wales No. 3635234 Cliffatford Road, Southway, Plymouth, Devon PL6 6DE
The device mark Silicon Sensing is a registered trade mark of Silicon Sensing Systems Community Trade Mark 003587664

Headquarter Switzerland:
Pewatron AG
Thurgauerstrasse 66
CH-8050 Zurich
Phone +41 44 877 35 00
info@pewatron.com

Office Germany:
Pewatron Deutschland GmbH
Edisonstraße 16
D-85716 Unterschleißheim
Phone +49 89 374 288 87-0
info.de@pewatron.com



PEWATRON
SENSORS · POWER SOLUTIONS

We are here for you. Addresses and Contacts.

Sales Germany & Austria

Postcode 00000 – 31999
Postcode 38000 – 39999
Postcode 80000 – 99999
Austria

Kurt Stritzelberger

Phone +49 89 260 52 80
Mobile +49 171 803 41 35

kurt.stritzelberger@pewatron.com

Postcode 32000 – 37999
Postcode 40000 – 79999

Gerhard Vetter

Phone +49 674 394 75 75
Mobile +49 163 762 74 30

gerhard.vetter@pewatron.com

Geometrical sensors
Sensor elements

Thorsten Ravagni

Phone +49 60 479 53 627

thorsten.ravagni@pewatron.com

Sales Switzerland & Liechtenstein

Postcode 3000 – 9999

Basil Frei

Phone +41 44 877 35 18
Mobile +41 76 279 37 26

basil.frei@pewatron.com

Postcode 1000 – 2999

Christian Mohrenstecher

Mobile +41 76 444 57 93

christian.mohrenstecher@pewatron.com

Sales International Key Accounts

Peter Felder

Phone +41 44 877 35 05
Mobile +41 79 406 49 83

peter.felder@pewatron.com

Sales Other Countries / Product Management

Pressure Sensors

Philipp Kistler
Phone +41 44 877 35 03
philipp.kistler@pewatron.com

Accelerometers / Level Flow sensor elements

Thorsten Ravagni
Phone +49 60 479 53 627
thorsten.ravagni@pewatron.com

Drive technology CH Postcode 5000 – 9999 / DE

Roman Homa
Mobile +41 76 444 00 86
roman.homa@pewatron.com

Gas sensors / Gas sensor modules Load cells

Dr. Thomas Clausen
Phone +41 44 877 35 13
thomas.clausen@pewatron.com

Power supplies

Sebastiano Leggio
Phone +41 44 877 35 06
sebastiano.leggio@pewatron.com

Drive technology CH Postcode 1000 – 4999 / AT / IT / FR

Christian Mohrenstecher
Mobile +41 76 444 57 93
christian.mohrenstecher@pewatron.com

Flow / Level / Medical products

Dr. Adriano Pittarelli
Phone +49 8245 774 95 44
adriano.pittarelli@pewatron.com

Linear position sensors Angle sensors

Eric Letsch
Phone +41 44 877 35 14
eric.letsch@pewatron.com

Current sensors Power solutions

Osman Coban
Phone +49 71 635 363 898
osman.coban@pewatron.com