

High Frequency HX Series Specification

Applications

- Switching power supply

Features

- Frequency:20KHz~50KHz Operation Condition: Operation Temperature:-25°C~+125°C

- Fully RoHS Compliant

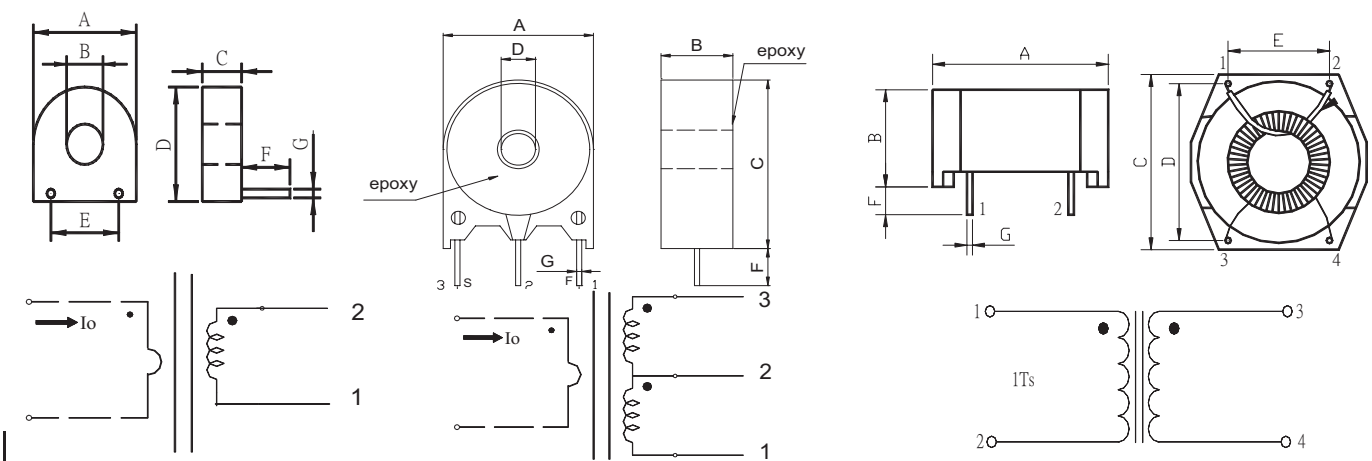
Electrical Specifications.

Part Number	TURNS	Terminals	Specification				Mechanical Dimension							DWG No.
			Rated Current	Sensitivity	Inductance 16K/1V	Terminating Resistance	A	B	C	D	E	F	G	
			1R(A)	S(V/A)	mH	(Ω)	mm							
HX56-6-555	50	1-3	10	1	5	50	18.0	10.0	21.0	5.0	12.5	4.0	0.8	HX56-6
HX56-6-655	100	1-3	24	1	20	100								
HX56-6-755	200	1-3	30	1	80	200								
HX56-6-855	300	1-3	35	1	180	300								
HX56-6-570(7)	25:25	1-2-3	10	1	5	50								
HX56-6-505(7)	50:50	1-2-3	24	1	20	100								
HX56-6-655(7)	100:100	1-2-3	30	1	80	200	18.0	10.0	21.0	5.0	12.5	4.0	0.8	HX56-7
HX56-6-605(7)	150:150	1-2-3	35	1	180	300								
HX56-7-505	50	1-2	10	1	5	50								
HX56-7-655	100	1-2	24	1	20	100								
HX56-7-755	200	1-2	30	1	80	200	18.3	10.5	21.4	4.4	12.7	4.0	0.8	HX56-8
HX56-7-855	300	1-2	35	1	180	300								
HX56-8-055	500	1-3	40	1	500	500	16.9	12.4	17.4	15.0	10.0	4.0	0.7	HX57-6
HX56-8-205	750	1-3	50	1	1125	750								
HX56-8-6555	1000	3-4	80	1	1800	1000								
HX57-6-505	50	3-4	10	1	5	50								
HX57-6-655	100	3-4	24	1	20	100								
HX57-6-755	200	3-4	30	1	80	200								
HX57-6-855	300	3-4	35	1	180	300	16.9	12.4	17.4	15.0	10.0	4.0	0.7	HX57-6
HX57-6-055	500	3-4	40	1	500	500								
HX57-6-205	750	3-4	50	1	1125	750								
HX57-6-6555	1000	3-4	80	1	1800	1000								

Dimensions : HX56-7

Dimensions : HX56-6, HX56-8

Dimensions : HX57-6



Headquarter Switzerland:
Pewatron AG
Thurgauerstrasse 66
CH-8050 Zurich
Phone +41 44 877 35 00
info@pewatron.com

Office Germany:
Pewatron Deutschland GmbH
Edisonstraße 16
D-85716 Unterschleißheim
Phone +49 89 374 288 87-0
info.de@pewatron.com



PEWATRON
SENSORS · POWER SOLUTIONS

We are here for you. Addresses and Contacts.

Sales Germany & Austria

Postcode 00000 – 31999
Postcode 38000 – 39999
Postcode 80000 – 99999
Austria

Kurt Stritzelberger

Phone +49 89 260 52 80
Mobile +49 171 803 41 35

kurt.stritzelberger@pewatron.com

Postcode 32000 – 37999
Postcode 40000 – 79999

Gerhard Vetter

Phone +49 674 394 75 75
Mobile +49 163 762 74 30

gerhard.vetter@pewatron.com

Geometrical sensors
Sensor elements

Thorsten Ravagni

Phone +49 60 479 53 627

thorsten.ravagni@pewatron.com

Sales Switzerland & Liechtenstein

Postcode 3000 – 9999

Basil Frei

Phone +41 44 877 35 18
Mobile +41 76 279 37 26

basil.frei@pewatron.com

Postcode 1000 – 2999

Christian Mohrenstecher

Mobile +41 76 444 57 93

christian.mohrenstecher@pewatron.com

Sales International Key Accounts

Peter Felder

Phone +41 44 877 35 05
Mobile +41 79 406 49 83

peter.felder@pewatron.com

Sales Other Countries / Product Management

Pressure Sensors

Philipp Kistler
Phone +41 44 877 35 03
philipp.kistler@pewatron.com

Accelerometers / Level Flow sensor elements

Thorsten Ravagni
Phone +49 60 479 53 627
thorsten.ravagni@pewatron.com

Drive technology CH Postcode 5000 – 9999 / DE

Roman Homa
Mobile +41 76 444 00 86
roman.homa@pewatron.com

Gas sensors / Gas sensor modules Load cells

Dr. Thomas Clausen
Phone +41 44 877 35 13
thomas.clausen@pewatron.com

Power supplies

Sebastiano Leggio
Phone +41 44 877 35 06
sebastiano.leggio@pewatron.com

Drive technology CH Postcode 1000 – 4999 / AT / IT / FR

Christian Mohrenstecher
Mobile +41 76 444 57 93
christian.mohrenstecher@pewatron.com

Flow / Level / Medical products

Dr. Adriano Pittarelli
Phone +49 8245 774 95 44
adriano.pittarelli@pewatron.com

Linear position sensors Angle sensors

Eric Letsch
Phone +41 44 877 35 14
eric.letsch@pewatron.com

Current sensors Power solutions

Osman Coban
Phone +49 71 635 363 898
osman.coban@pewatron.com