

Supplier	Pewatron	Date Of Issue:	19.11.2014
Description	Current Sensor	Sample Quantity	5 Pcs.
Part No.	020-01-428-1107	Customer	
Type	HX56-7-855	Sample No.	3536C

ACKNOWLEDGMENT

CUSTOMER APPROVED

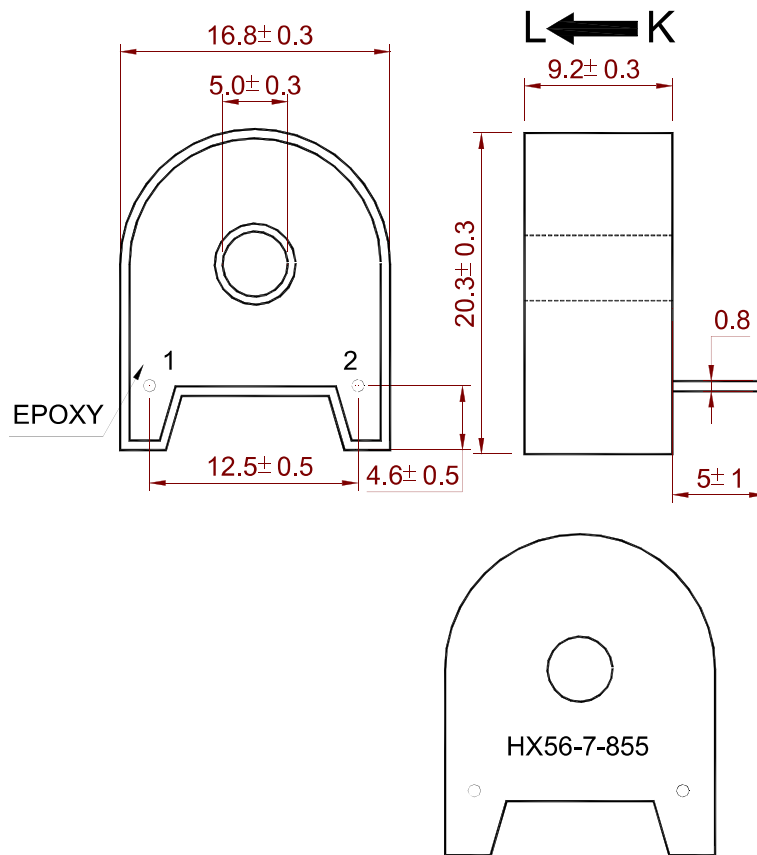
Approved by	Checked by	Acknowledged by



RoHS COMPLIANT

Part No.	020-01-428-1107	Date Of Issue :	19.11.2014
Type	HX56-7-855	Sample No.	3536C

Mechanical Dimensions in mm



Test Circuit:

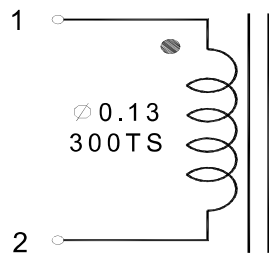


Photo:



Part No.	020-01-428-1107	Date Of Issue :	19.11.2014
Type	HX56-7-855	Sample No.	3536C

Electrical Specifications

Turns Ratio	NP:NS=1:300
D.C.Resistance at 20 °C	8.4MAX
Inductance (mH) @ 10KHz/1V, at 20°C	180min
Operating Temperature	-20~65°C
Storage Temperature	-25~85°C
Dielectric Withstanding Voltage(Hi-pot)	4KVrms/1mA/1min
Impulse Withstand Voltage	5KV Peak
Insulation Resistance	DC500V/100MΩ min

Mechanical Specifications

CUP	5010GN6-30 M8X(PBT)
Encapsulant	Epoxy
Output Terminal	2*Φ0.8
Approx.Weight	6g

Part No.	020-01-428-1107	Date Of Issue :	19.11.2014
Type	HX56-7-855	Sample No.	3536C

Measured Result:

NO.	L(mH)		DCR(Ω)	
	10KHZ/1V			
EQU	CH100		CH-301	
SPEC	180MIN		8.4MAX	
1	221.81		7.9	
2	228.68		7.7	
3	238.67		7.8	
4	226.45		7.8	
5	212.89		7.8	
X	225.7		7.8	

Part No.	020-01-428-1107	Date Of Issue :	19/11/14
Type	HX56-7-855	Sample No.	3536C

MATERIAL LIST

NO	ITEM	Part No	UL Card	MATERIAL	NOTE
1	CORE	CRTR0127MYLE0	/	A05	
2	WIRE	WR013NGS2U00	E201757	UEW/U	
3	HOUSING	HSCS0203DG00	E85783	5010GN6-30M8X	
4	EPOXY	CHEP9002HL00 CTEP9002HL01	E222812	9002GA 9002GB	
5	PIN	PN0825ATCHX0	/	0.8TC	
6	SOLDER	CHSB9900JX00	/	99.3%	

Headquarter Switzerland:
Pewatron AG
Thurgauerstrasse 66
CH-8050 Zurich
Phone +41 44 877 35 00
info@pewatron.com

Office Germany:
Pewatron Deutschland GmbH
Edisonstraße 16
D-85716 Unterschleißheim
Phone +49 89 374 288 87-0
info.de@pewatron.com



PEWATRON
SENSORS · POWER SOLUTIONS

We are here for you. Addresses and Contacts.

Sales Germany & Austria

Postcode 00000 – 31999
Postcode 38000 – 39999
Postcode 80000 – 99999
Austria

Kurt Stritzelberger

Phone +49 89 260 52 80
Mobile +49 171 803 41 35

kurt.stritzelberger@pewatron.com

Postcode 32000 – 37999
Postcode 40000 – 79999

Gerhard Vetter

Phone +49 674 394 75 75
Mobile +49 163 762 74 30

gerhard.vetter@pewatron.com

Geometrical sensors
Sensor elements

Thorsten Ravagni

Phone +49 60 479 53 627

thorsten.ravagni@pewatron.com

Sales Switzerland & Liechtenstein

Postcode 3000 – 9999

Basil Frei

Phone +41 44 877 35 18
Mobile +41 76 279 37 26

basil.frei@pewatron.com

Postcode 1000 – 2999

Christian Mohrenstecher

Mobile +41 76 444 57 93

christian.mohrenstecher@pewatron.com

Sales International Key Accounts

Peter Felder

Phone +41 44 877 35 05
Mobile +41 79 406 49 83

peter.felder@pewatron.com

Sales Other Countries / Product Management

Pressure Sensors

Philipp Kistler
Phone +41 44 877 35 03
philipp.kistler@pewatron.com

Accelerometers / Level Flow sensor elements

Thorsten Ravagni
Phone +49 60 479 53 627
thorsten.ravagni@pewatron.com

Drive technology CH Postcode 5000 – 9999 / DE

Roman Homa
Mobile +41 76 444 00 86
roman.homa@pewatron.com

Gas sensors / Gas sensor modules Load cells

Dr. Thomas Clausen
Phone +41 44 877 35 13
thomas.clausen@pewatron.com

Power supplies

Sebastiano Leggio
Phone +41 44 877 35 06
sebastiano.leggio@pewatron.com

Drive technology CH Postcode 1000 – 4999 / AT / IT / FR

Christian Mohrenstecher
Mobile +41 76 444 57 93
christian.mohrenstecher@pewatron.com

Flow / Level / Medical products

Dr. Adriano Pittarelli
Phone +49 8245 774 95 44
adriano.pittarelli@pewatron.com

Linear position sensors Angle sensors

Eric Letsch
Phone +41 44 877 35 14
eric.letsch@pewatron.com

Current sensors Power solutions

Osman Coban
Phone +49 71 635 363 898
osman.coban@pewatron.com