

Hall Current Sensor YR055 ..056 -THX $I_{PN}=50..500A$

For the electronic measurement of currents:DC,AC,pulsed,mixed,
with a galvanic isolation between the primary(high power)
circuit and the secondary(electronic) circuit.



● Operating performance (AT =25°C)

Performance	Model	YR055 THX	YR656 THX	YR756 THX	YR856 THX	YR956 THX	YR056 THX
Primary nominal r.m.s. current I_{PN} (A)		50	100	200	300	400	500
Primary current measuring range I_P (A)		0~±100	0~±200	0~±400	0~±600	0~±800	0~±1000
Supply voltage V_{CC}		±15V (±5%)					
Output voltage V_{OUT}		4V ±1% @± I_{PN} , $R_L=10K\Omega$					
Current consumption I_C		≤±18mA @ ± I_{PN}					
Offset voltage V_O		<±20mV @ $I_P=0, T_A=25^\circ C$					
Thermal drift of V_O	V_{OT}	<±0.5mV/°C					
Thermal drift of V_{OUT}	$TC_{\square G}$	<±0.04%/°C					
Response time t_r		<5μs					
di/dt accurately followed di/dt		>50A/μs					
Linearity \square_L		±1% @0~± I_{PN}					
Accuracy X		±1% @ I_{PN}					
Isolation voltage V_d		2.5KV @50(60)HZ/1min					
Isolation resistance R_{IS}		500MΩ @500VDC					
Hysteresis offset voltage V_{OH}		≤±25mV @±3 $I_{PN} \rightarrow 0$					
Frequency bandwidth f		0~50KHz					

● General data

Operating temperature T_O		-25~+85°C
Storage temperature T_S		-40~+100°C
Mass m		75g
Note	Insulated plastic case recognized according to UL 94-V0	

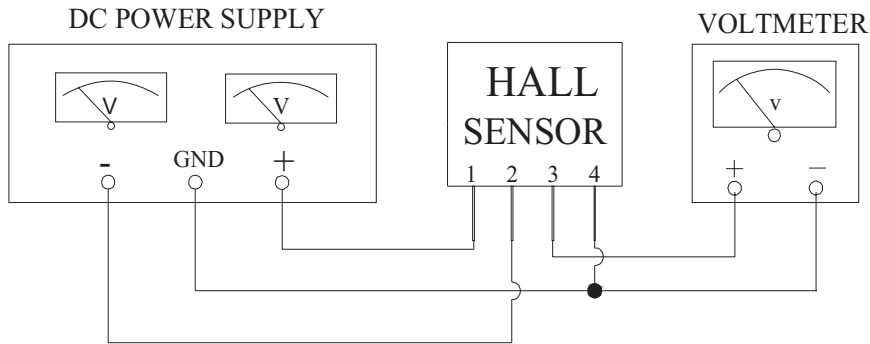
● Applications

- ◆ AC variable speed drives and servo motor drives
- ⊠ Battery supplied applications
- ◆ Uninterruptible Power Supplies(UPS)
- ⊠ Static converters for DC motor drives
- ⊠ Switched Mode Power Supplies(SMPS)
- ◆ Power supplies for welding applications

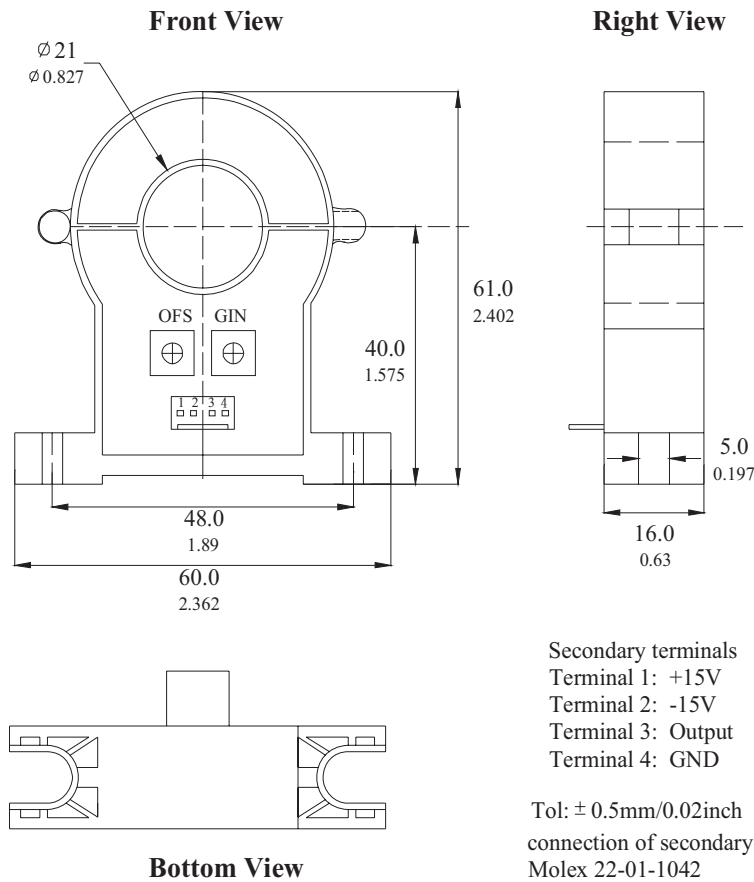
● Advantages

- ◆ Low temperature drift
- ◆ Easy mouting
- ◆ Very low insertion losses
- ◆ Low power consumption
- ◆ High immunity to external interference
- ◆ Current overload capability

● **Connection**



● **Dimensions (Unit:mm/inch)**



● **Remarks**

- ◆ V_{OUT} is positive when I_p flows in the direction of the arrow.
- ◆ Temperature of the primary conductor should not exceed 100 °C .
- ◆ These are standard models. For different versions(supply voltages, secondary connections, unidirectional measurements, operating temperatures, etc.)please contact us.

Headquarter Switzerland:
Pewatron AG
Thurgauerstrasse 66
CH-8050 Zurich
Phone +41 44 877 35 00
info@pewatron.com

Office Germany:
Pewatron Deutschland GmbH
Edisonstraße 16
D-85716 Unterschleißheim
Phone +49 89 374 288 87 00
info.de@pewatron.com



PEWATRON
SENSORS · POWER SOLUTIONS

We are here for you. Addresses and Contacts.

Sales Germany & Austria

Geometrical sensors Other products

Kurt Stritzelberger
Phone +49 89 374 288 87 22
kurt.stritzelberger@pewatron.com

Pressure sensors Other products

Gerhard Vetter
Phone +49 89 374 288 87 26
gerhard.vetter@pewatron.com

Gas sensors and modules

Peter Felder
Phone +41 44 877 35 05
peter.felder@pewatron.com

Sales Switzerland & Liechtenstein

Postcode 3000 – 9999

Basil Frei
Phone +41 44 877 35 18
basil.frei@pewatron.com

Postcode 1000 – 2999

Christian Mohrenstecher
Phone +41 76 444 57 93
christian.mohrenstecher@pewatron.com

Sales International Key Accounts

Peter Felder
Phone +41 44 877 35 05
peter.felder@pewatron.com

Sales Other Countries / Product Management

Pressure Sensors Load Cells

Philipp Kistler
Phone +41 44 877 35 03
philipp.kistler@pewatron.com

Gas sensors Gas sensor modules

Dr. Thomas Clausen
Phone +41 44 877 35 13
thomas.clausen@pewatron.com

Flow / Level / Medical products

Dr. Adriano Pittarelli
Phone +49 89 374 288 87 67
adriano.pittarelli@pewatron.com

Power supplies

Sebastiano Leggio
Phone +41 44 877 35 06
sebastiano.leggio@pewatron.com

Linear position sensors Angle sensors

Eric Letsch
Phone +41 44 877 35 14
eric.letsch@pewatron.com

Drive technology CH Postcode 5000 – 9999 / DE

Roman Homa
Phone +41 76 444 00 86
roman.homa@pewatron.com

Accelerometers Sensor elements

Christoph Kleye
Phone +49 89 374 288 87 61
christoph.kleye@pewatron.com

Current sensors / Power solutions & Turkey

Osman Coban
Phone +49 89 374 288 87 65
osman.coban@pewatron.com

Drive technology CH Postcode 1000 – 4999 / AT / IT / FR

Christian Mohrenstecher
Phone +41 76 444 57 93
christian.mohrenstecher@pewatron.com

Harald Thomas
Phone +49 89 374 288 87 23
harald.thomas@pewatron.com