

PEWA700 Series Mini Pressure Transducer

PEWA700 is a series of high performance mini pressure transducer by using ASIC signal conditioning chip and 316L diaphragm diffused silicon oil filled pressure sensor. It has features of anti-corrosion, anti-wear, shock resistance and vibration resistance. With precise temperature characteristic compensation, it can be used reliably and stably.



Application

PEWA700 is solution for below applications:

- Pressure measurement of gas, vapor or liquid in various areas;
- Liquid level, volume or mass measurement;
- Integrated in a variety of user-defined solutions;
- Smart water and gas management, smart fire controlling, automotive electronics controlling, air compressor, HVAC, pump, valve and etc;

Technical data

Pressure sensor: diffused silicon oil filled pressure sensor (diameter: 19mm)

Measure range: -100kPa, 35kPa, 100kPa, 250kPa, 400kPa, 600kPa, 1MPa, 1.6MPa, 2.5MPa, 4MPa, 6MPa, 10MPa, 16MPa, 25MPa, 40MPa (bar and psi unit available)

Safety overload pressure: 150%f.s.

Destroy overload pressure: 200%f.s.

Output: 4-20mA, 1-5V, 0.5~4.5V, 0-10V, I2C etc for option

Power supply: 3.3V, 5V, 12-36V,

Accuracy: 0.5% F.S. (including linearity, hysteresis and repeatability)

Working temperature range: -45 to 85°C

Compensation temperature range: -45 to 70°C

Zero temperature drift: $\leq \pm 0.5\%$ F.S. (-20~+70)°C

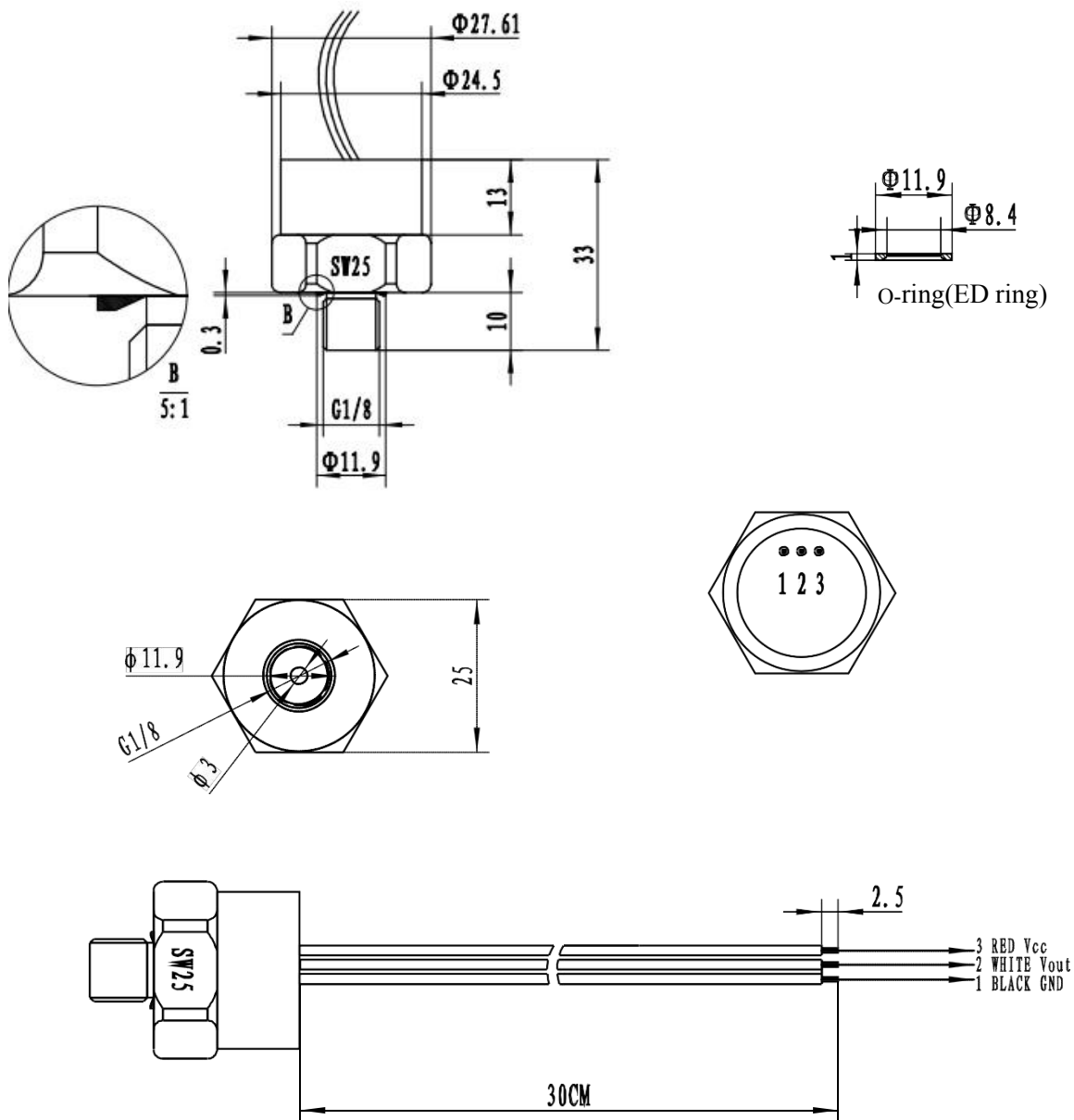
Sensitivity temperature drift: $\leq \pm 0.5\%$ F.S. (-20~+70)°C

Process connection: G1/8, G1/4, 1/4NPT etc for option

Housing and process connection material: 304SST

Wire specification: AWG22 wire, PVC material, per requirements

O-Ring material: Viton

Dimension (unit: mm)

Remark: For pressure > 10MPa, the housing dimension may differ from above.

Ordering sheet

Model	Product description
PEWA700	Pressure Transducer
Code	Pressure type
A	Absolute pressure
G	Gauge pressure
S	Sealing pressure
Code	Accuracy
F	0.5%
O	1%
Code	Sensor range
A1	0-1.0~10KPa
A2	0-10~35KPa
A3	0-35~100KPa
A4	0-100~400KPa
A5	0-400~600KPa
A6	0-0.6~1.0MPa
A7	0-1.0~2.5MPa
A8	0-2.5~6.0MPa
A9	0-6.0~10MPa
A10	0-10~25MPa
A11	0-25~40MPa
Code	Calibration pressure range
(a...b)	e.g. (0...10bar), (-1...5bar), etc.
Code	Output
O1	4...20mA
O2	1-5V
O3	0.5-4.5V
O4	I2C
O5	0-5V
O6	0-10V
Code	Process connection
P1	G1/8 male
P2	G1/4 male
P3	1/4 NPT male
P4	M10*1
P5	Customization
Typical model: PEWA700-GFA6(0...8bar)O3P1	

Headquarter Switzerland:
Pewatron AG
Thurgauerstrasse 66
CH-8050 Zurich
Phone +41 44 877 35 00
info@pewatron.com

Office Germany:
Pewatron Deutschland GmbH
Edisonstraße 16
D-85716 Unterschleißheim
Phone +49 89 374 288 87-0
info.de@pewatron.com



PEWATRON
SENSORS · POWER SOLUTIONS

We are here for you. Addresses and Contacts.

Sales Germany & Austria

Postcode 00000 – 31999
Postcode 38000 – 39999
Postcode 80000 – 99999
Austria

Kurt Stritzelberger

Phone +49 89 260 52 80
Mobile +49 171 803 41 35

kurt.stritzelberger@pewatron.com

Postcode 32000 – 37999
Postcode 40000 – 79999

Gerhard Vetter

Phone +49 674 394 75 75
Mobile +49 163 762 74 30

gerhard.vetter@pewatron.com

Geometrical sensors
Sensor elements

Thorsten Ravagni

Phone +49 60 479 53 627

thorsten.ravagni@pewatron.com

Sales Switzerland & Liechtenstein

Postcode 3000 – 9999

Basil Frei

Phone +41 44 877 35 18
Mobile +41 76 279 37 26

basil.frei@pewatron.com

Postcode 1000 – 2999

Christian Mohrenstecher

Mobile +41 76 444 57 93

christian.mohrenstecher@pewatron.com

Sales International Key Accounts

Peter Felder

Phone +41 44 877 35 05
Mobile +41 79 406 49 83

peter.felder@pewatron.com

Sales Other Countries / Product Management

Pressure Sensors

Philipp Kistler
Phone +41 44 877 35 03
philipp.kistler@pewatron.com

Accelerometers / Level Flow sensor elements

Thorsten Ravagni
Phone +49 60 479 53 627
thorsten.ravagni@pewatron.com

Drive technology CH Postcode 5000 – 9999 / DE

Roman Homa
Mobile +41 76 444 00 86
roman.homa@pewatron.com

Gas sensors / Gas sensor modules Load cells

Dr. Thomas Clausen
Phone +41 44 877 35 13
thomas.clausen@pewatron.com

Power supplies

Sebastiano Leggio
Phone +41 44 877 35 06
sebastiano.leggio@pewatron.com

Drive technology CH Postcode 1000 – 4999 / AT / IT / FR

Christian Mohrenstecher
Mobile +41 76 444 57 93
christian.mohrenstecher@pewatron.com

Flow / Level / Medical products

Dr. Adriano Pittarelli
Phone +49 8245 774 95 44
adriano.pittarelli@pewatron.com

Linear position sensors Angle sensors

Eric Letsch
Phone +41 44 877 35 14
eric.letsch@pewatron.com

Current sensors Power solutions

Osman Coban
Phone +49 71 635 363 898
osman.coban@pewatron.com