



Single Phase Rectifier Bridge

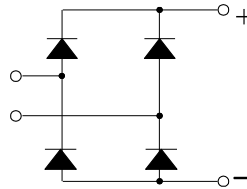
PSB 25T PSB 25TN

$$I_{dAVM} = 21 \text{ A}$$

$$V_{RRM} = 1200 \text{ V to } 2200 \text{ V}$$

Preliminary Data Sheet

V_{RSM} V	V_{RRM} V	Type Number	
		Gold-plated terminals	Nickel-plated terminals
1200	1200	PSB 25T/12	PSB 25TN/12
1400	1400	PSB 25T/14	PSB 25TN/14
1600	1600	PSB 25T/16	PSB 25TN/16
1800	1800	PSB 25T/18	PSB 25TN/18
2000	2000	PSB 25T/20	PSB 25TN/20
2200	2200	PSB 25T/22	PSB 25TN/22



Symbol	Test Conditions	Maximum Ratings
I_{dAVM}	$T_c = 63^\circ\text{C}$ per module	21 A
I_{FSM}	$T_{vj} = 45^\circ\text{C}$, $V_R = 0 \text{ V}$	$t = 10 \text{ ms}$ 50 Hz, sine 380 A
	$T_{vj} = T_{vj\text{m}}$, $V_R = 0 \text{ V}$	$t = 10 \text{ ms}$ 50 Hz, sine 360 A
$\int i^2 dt$	$T_{vj} = 45^\circ\text{C}$, $V_R = 0 \text{ V}$	$t = 10 \text{ ms}$ 50 Hz, sine 725 A ² s
T_{vj}		-40 ... +150 °C
$T_{vj\text{m}}$		150 °C
T_{stg}		-40 ... +150 °C
	V_{isol} 50/60 Hz, RMS	$t = 1 \text{ min}$ 2500 V~
	$I_{isol} \leq 1 \text{ mA}$	$t = 1 \text{ s}$ 3000 V~
M_d	Mounting torque (M5)	2±10% Nm
		(10-32 UNF) 18±10% lb in
Weight	typ.	20 g

Symbol	Test Conditions	Characteristic Value
I_R	$V_R = V_{RRM}$	$T_{vj} = 25^\circ\text{C}$ ≤ 0.3 mA
	$V_R = V_{RRM}$	$T_{vj} = T_{vj\text{m}}$ ≤ 5.0 mA
V_F	$I_F = 150 \text{ A}$	$T_{vj} = 25^\circ\text{C}$ ≤ 2.2 V
V_{TO}	For power-loss calculations only	0.85 V
r_T	$T_{vj} = T_{vj\text{m}}$	12 mΩ
$R_{th(j-c)}$	per diode; DC current	8.2 K/W
	per module	2.05 K/W
$R_{th(j-s)}$	per diode; DC current	9.4 K/W
	per module	2.35 K/W
d_s	Creeping distance on surface	12.7 mm
d_A	Creeping distance on air	9.4 mm
a	Maximum allowable acceleration	50 m/s ²

Data according to IEC 60747 refers to a single diode unless otherwise stated

Features

- ¼" gold- or nickel-plated FASTON terminals
- Isolation voltage 3000 V~
- Mesa glass-passivated chips
- Blocking voltage up to 2200 V
- Low forward voltage drop
- UL registered E 148688

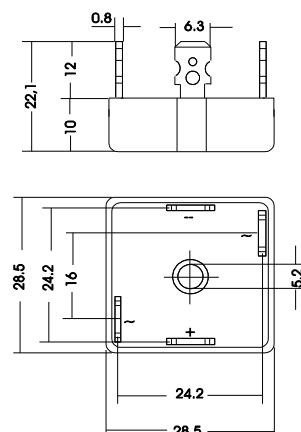
Applications

- Supplies for DC power equipment
- Input rectifiers for PWM inverters
- Battery DC power supplies
- Field supply of DC motors

Advantages

- Easy to mount with one screw
- Space and weight savings
- Improved temperature and power cycling capability

Package style and outline



Dimensions in mm (1mm = 0.0394")

Headquarter Switzerland:
Pewatron AG
Thurgauerstrasse 66
CH-8050 Zurich
Phone +41 44 877 35 00
info@pewatron.com

Office Germany:
Pewatron Deutschland GmbH
Edisonstraße 16
D-85716 Unterschleißheim
Phone +49 89 374 288 87-0
info.de@pewatron.com



PEWATRON
SENSORS · POWER SOLUTIONS

We are here for you. Addresses and Contacts.

Sales Germany & Austria

Postcode 00000 – 31999
Postcode 38000 – 39999
Postcode 80000 – 99999
Austria

Kurt Stritzelberger

Phone +49 89 260 52 80
Mobile +49 171 803 41 35

kurt.stritzelberger@pewatron.com

Postcode 32000 – 37999
Postcode 40000 – 79999

Gerhard Vetter

Phone +49 674 394 75 75
Mobile +49 163 762 74 30

gerhard.vetter@pewatron.com

Geometrical sensors
Sensor elements

Thorsten Ravagni

Phone +49 60 479 53 627

thorsten.ravagni@pewatron.com

Sales Switzerland & Liechtenstein

Postcode 3000 – 9999

Basil Frei

Phone +41 44 877 35 18
Mobile +41 76 279 37 26

basil.frei@pewatron.com

Postcode 1000 – 2999

Christian Mohrenstecher

Mobile +41 76 444 57 93

christian.mohrenstecher@pewatron.com

Sales International Key Accounts

Peter Felder

Phone +41 44 877 35 05
Mobile +41 79 406 49 83

peter.felder@pewatron.com

Sales Other Countries / Product Management

Pressure Sensors

Philipp Kistler
Phone +41 44 877 35 03
philipp.kistler@pewatron.com

Accelerometers / Level Flow sensor elements

Thorsten Ravagni
Phone +49 60 479 53 627
thorsten.ravagni@pewatron.com

Drive technology CH Postcode 5000 – 9999 / DE

Roman Homa
Mobile +41 76 444 00 86
roman.homa@pewatron.com

Gas sensors / Gas sensor modules Load cells

Dr. Thomas Clausen
Phone +41 44 877 35 13
thomas.clausen@pewatron.com

Power supplies

Sebastiano Leggio
Phone +41 44 877 35 06
sebastiano.leggio@pewatron.com

Drive technology CH Postcode 1000 – 4999 / AT / IT / FR

Christian Mohrenstecher
Mobile +41 76 444 57 93
christian.mohrenstecher@pewatron.com

Flow / Level / Medical products

Dr. Adriano Pittarelli
Phone +49 8245 774 95 44
adriano.pittarelli@pewatron.com

Linear position sensors Angle sensors

Eric Letsch
Phone +41 44 877 35 14
eric.letsch@pewatron.com

Current sensors Power solutions

Osman Coban
Phone +49 71 635 363 898
osman.coban@pewatron.com