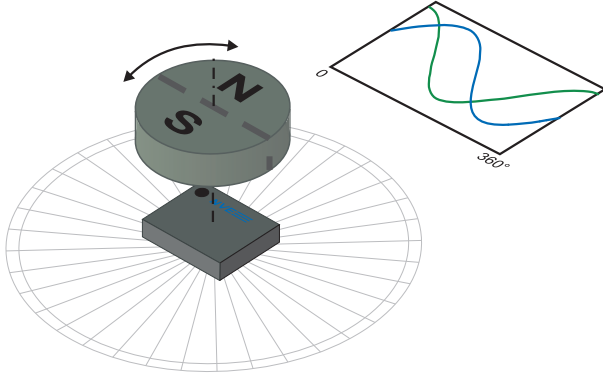


## AAT003 Low-Resistance TMR Angle Sensors



### Features

- Tunneling Magnetoresistance (TMR) technology
- Low power
- High output signal without amplification
- Immune to airgap variations
- Operates with as little as 30 Oersted field
- Sine and cosine outputs
- $-40^{\circ}\text{C}$  to  $+125^{\circ}\text{C}$  operating temperature
- Ultraminiature TDFN6 packages

### Applications

- Battery-powered applications
- Knob position sensors
- Rotary encoders
- Direct microcontroller interfaces
- Automotive rotary position sensors
- Motor shaft position sensors

### Description

AAT00x angle sensors use unique Tunneling Magnetoresistance (TMR) elements for large signals and low power consumption.

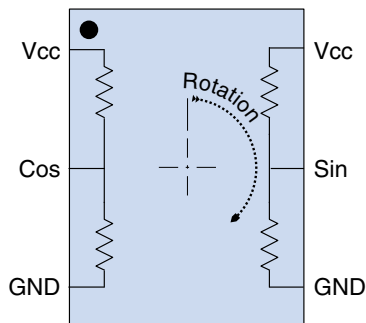
The AAT003 is a low-resistance member of NVE's groundbreaking AATxxx family, with a typical bridge resistance of 40 kilohms versus the megohm range for the AAT001 and AAT009.

The lower device resistance reduces Johnson noise, and is also ideal for direct microcontroller interfaces because its lower output impedance can quickly charge microcontroller sample-and-hold input stages.

The sensors provide sine and cosine signals defining the angle of rotation. Outputs are proportional to the supply voltage and peak-to-peak output voltages are much larger than conventional sensor technologies.

Parts are packaged in NVE's 2.5 mm x 2.5 mm x 0.8 mm TDFN6 surface-mount package.

### Functional Diagram





## AAT003 Low-Resistance Angle Sensor

### Absolute Maximum Ratings

Parameter	Min.	Max.	Units
Supply voltage		7	Volts
Reverse supply voltage		-12	Volts
Storage temperature	-40	170	°C
ESD (Human Body Model)		2000	Volts
Applied magnetic field		Unlimited <sup>1</sup>	Oe

### Operating Specifications

Parameter	Symbol	Min.	Typ.	Max.	Units	Test Condition
Operating temperature	$T_{min}; T_{max}$	-40		125	°C	
Device resistance		20	40	60	k $\Omega$	25°C with required magnetic field.
Peak-to-peak output signal	$V_{PP-SIN}$ $V_{PP-COS}$	130	200		mV/V	Over full rotation.
Offset voltage	$V_{OFFSET-SIN}$ $V_{OFFSET-COS}$	-10		+10	mV/V	
Supply voltage	$V_{CC}$	0		5.5	V	
Required applied magnetic field		30		200	Oe	
Repeatability, fixed bias <sup>2</sup>				$\pm 0.5$	deg.	
Repeatability, variable bias <sup>3</sup>				$\pm 3$	deg.	
Nonsinusoidality <sup>4</sup>			$\pm 1.5\%$			% of peak-to-peak output; 50 Oe applied field; 25°C
Temperature coefficient of resistance	TCOR		+0.09		%/°C	
Output voltage temperature coefficient	TCOV		-0.13		%/°C	Constant supply voltage.

#### Notes:

1. Large magnetic fields CANNOT damage NVE sensors.
2. "Fixed Bias" means a fixed airgap between the bias magnet and sensor so the magnetic field at the sensor is constant.
3. "Variable Bias" means the magnetic field strength at the sensor can vary across the specification range.
4. Maximum deviation of either output from an ideal sine wave.

### Operation

#### Overview—Unique TMR technology

The heart of the unique sensor is an array of four Tunneling Magnetoresistance (TMR) elements in each quadrant. TMR technology enables low power and miniaturization, making the sensors ideal for battery operation.

In a typical configuration, an external magnet provides a saturating magnetic field in the plane of the sensor, as illustrated below for a bar magnet and a radially-magnetized disk magnet:

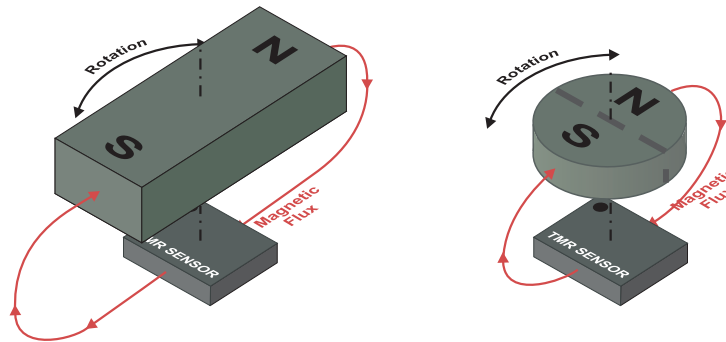


Figure 1. Sensor operation.

The device contains four sensing resistors at 90 degree intervals. The resistors are connected as two half-bridges, providing the sine and cosine voltage outputs. For each half bridge, the resistance of one element increases and the other decreases as the field rotates. Thus the bridge resistance, device resistance, and output impedances remain constant with rotation.

#### Transfer function

The half-bridge configuration provides a simple interface and can simplify external circuitry such as amplifiers and comparators. Outputs are sinusoidal, centered around half the supply, and ratiometric with supply voltage. Mathematically, the outputs can be expressed as:

$$V_{\text{SIN}} = [V_{\text{CC-SIN}}] \left[ \frac{(V_{\text{SIN-MAX}} - V_{\text{SIN-MIN}})}{2} \sin \theta + V_{\text{CC-SIN}} / 2 + V_{\text{OFFSET-SIN}} \right]$$

$$V_{\text{COS}} = [V_{\text{CC-COS}}] \left[ \frac{(V_{\text{COS-MAX}} - V_{\text{COS-MIN}})}{2} \cos \theta + V_{\text{CC-COS}} / 2 + V_{\text{OFFSET-COS}} \right]$$

Where:

$\theta$  is the magnetic field angle;

$V_{\text{COS}}$  and  $V_{\text{SIN}}$  are the sensor output voltages (mV/V);

$V_{\text{CC-SIN}}$  and  $V_{\text{CC-COS}}$  are the sensor supply voltages (normally tied together);

$V_{\text{SIN-MAX}}$ ,  $V_{\text{COS-MAX}}$ ,  $V_{\text{SIN-MIN}}$ , and  $V_{\text{COS-MIN}}$  are the sensor output peak signal levels (mV/V); and

$V_{\text{OFFSET-SIN}}$  and  $V_{\text{OFFSET-COS}}$  are the sensor offset voltages (mV/V), defined as the average of the maximum and minimum outputs minus half the supply voltage.

#### Wide range of magnets and magnet locations

The sensors operate with fields from 30 Oe to 200 Oe. This wide magnetic field range allows inexpensive magnets and operation over a wide range of magnet spacing. Larger or stronger magnets require more distance to avoid oversaturating the sensor; smaller or weaker magnets may require closer spacing. Low-cost radially-magnetized ferrite disk magnets can be used with these sensors in production. Bar magnets are also used in some configurations.

#### Ideal for battery-powered applications



## AAT003 Low-Resistance Angle Sensor

AAT-Series sensors are resistive devices with no active components, so they have no minimum voltage and can be powered from single cells.

The following chart shows a typical sensor output versus the angle of applied field at different air gaps:

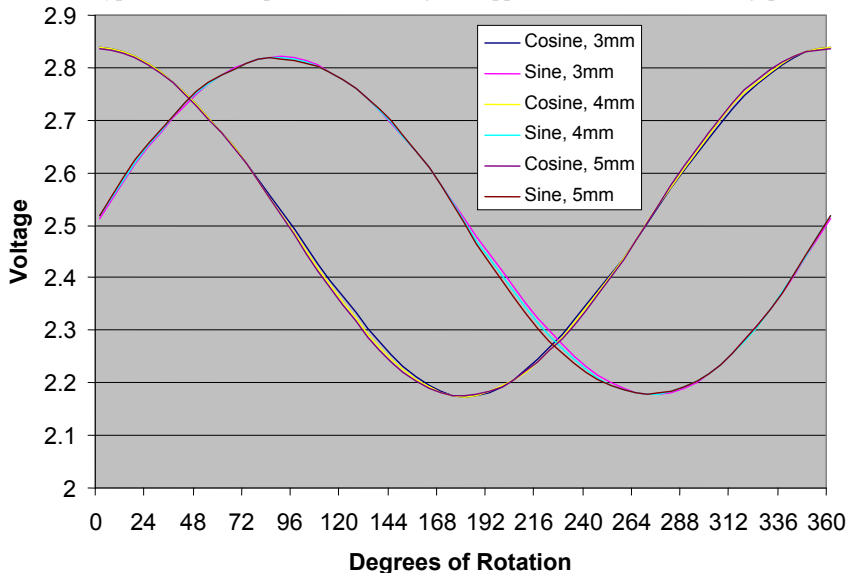


Figure 2. AAT003 Typical Output with Variations in Airgap (5V supply; 12 mm diameter, 4 mm thick split-pole ferrite magnet; 5 V supply).

### One cycle per revolution

Other sensor types such as AMR have two cycles per revolution, so they cannot determine absolute position for 360-degree rotation. AAT-Series sensors output one cycle per revolution and can unambiguously determine position within a full rotation.

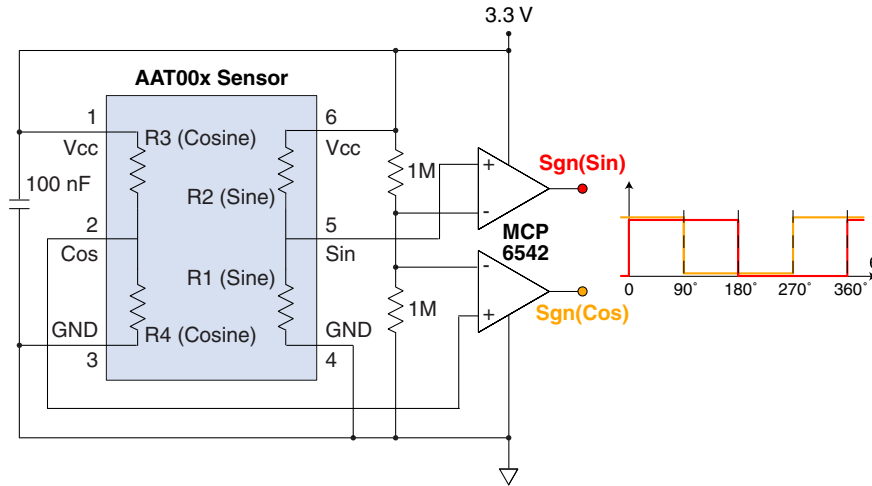
### Detects absolute position

Unlike some encoder types, AAT-Series sensors detect absolute position, and maintain position information when power is removed. The sensor immediately powers up indicating the correct position.

**Application Circuitry**

*External comparators*

A dual comparator can provide digital outputs from AAT angle sensors. Low-power comparators and large resistors are used to avoid adding power consumption to low-power applications:



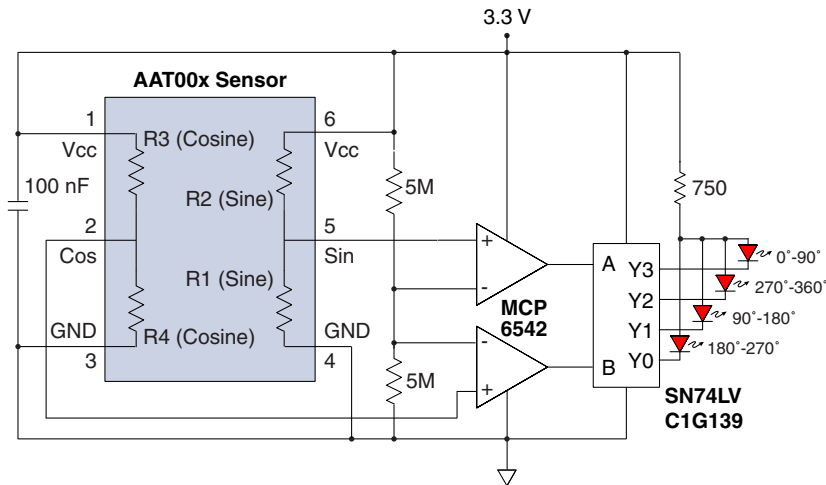
**Figure 2. External dual comparator for digital outputs.**

Inherent comparator hysteresis eliminates noise at the transition points. The MCP6542 comparator hysteresis of 3.3 mV corresponds to about 1 angular degree of hysteresis. Higher hysteresis comparators can be used for more noise immunity at the expense of hysteresis.

NVE also offers ADT-Series sensors that include integrated comparators to replicate the circuit of Figure 2.

*Quadrant outputs*

A 2-to-4 line decoder can provide digital signals to indicate the quadrant of rotation:



**Figure 3. Digital Quadrant Outputs.**

### Speed and direction signals

Commodity CMOS circuits can be added to create a precise encoder with direction and speed outputs. A flip-flop determines direction by detecting the phasing between the two outputs. An exclusive-OR gate provides a digital signal with two cycles per revolution, and transitions every 90 degrees:

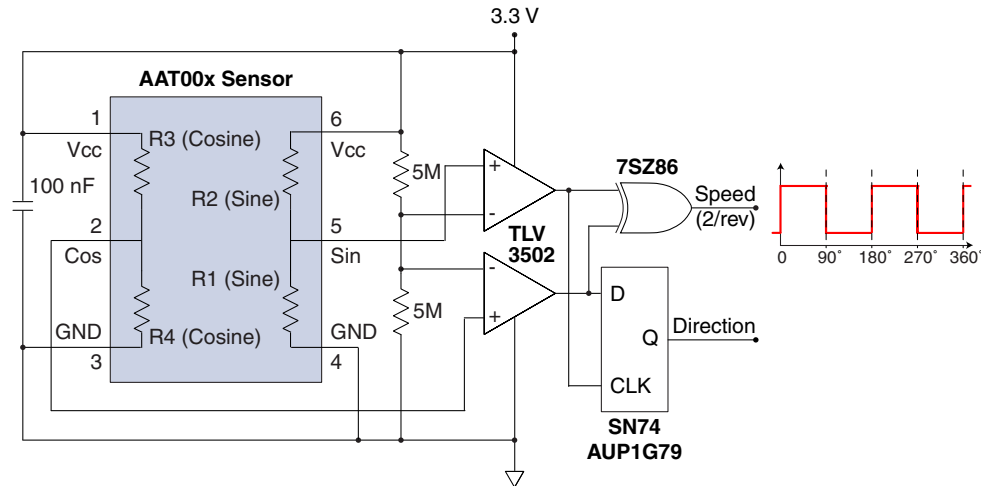


Figure 4. Speed and direction signals.

### Rotation reference signals

An AAT angle sensor and a single comparator can provide a precise angular reference point and a one cycle-per-rotation signal. Comparing the sine and cosine outputs is more precise than comparing either to a reference because it corrects for temperature.

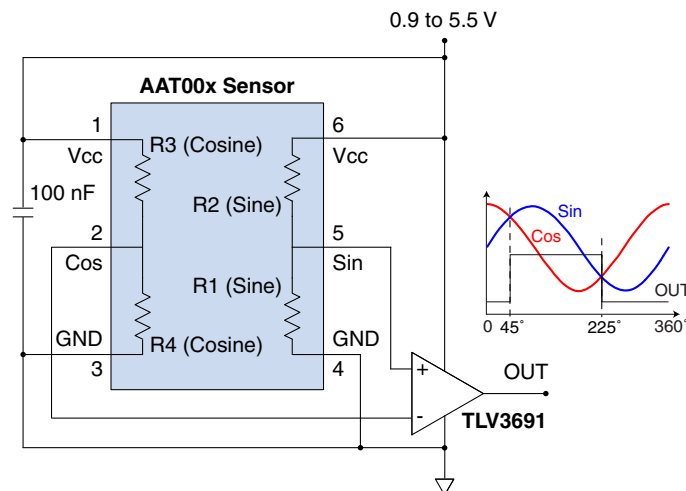


Figure 5. Angular Reference Point Rotation Signal.

In this circuit, the output is high from nominal 45 to 225 degrees, and low from 225 to 45 degrees. The TLV3691 comparator hysteresis of 17 mV corresponds to approximately 6 degrees of hysteresis with a 1.5 V supply. A TS881 or similar comparator has a typical hysteresis of 4 mV, corresponding to 1.5 angular degrees of hysteresis.

### Simple amplification

AAT-Series sensors have high output signals without amplification, but if amplification is required, a circuit like the one below can be used. The gain of three amplifies the AAT006 sensor's typical peak-to-peak signal level of 200 mV/V to 60% of rail-to-rail (one volt/volt), providing more usable signal without risk of saturating the amplifier for a sensor at the high end of the output signal range:

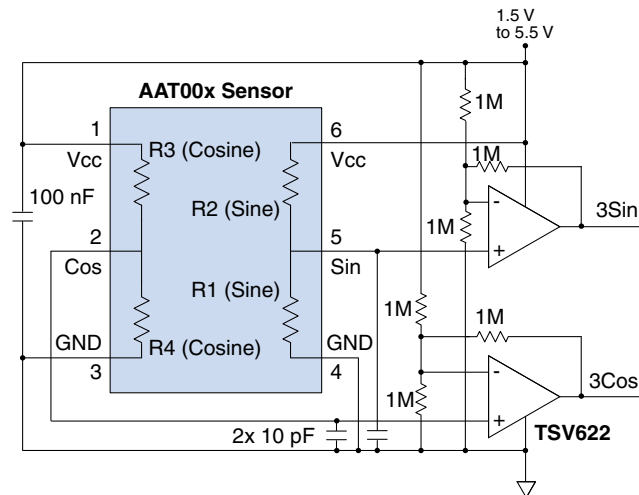


Figure 6. 3x Preamplifier.

Although AAT006 sensors are designed to be used primarily as two half bridges, if quadrature outputs are not required, a similar differential amplifier circuit can provide a larger signal, more precision, and less temperature dependence than either the sine or cosine output alone:

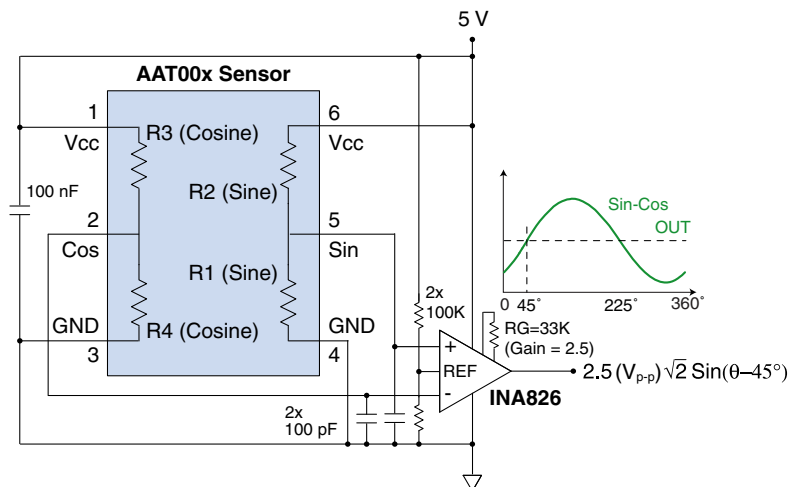


Figure 7. 2.5x Differential Amplifier.

In this circuit, the output is high from nominal 45 to 225 degrees, and low from 225 to 45 degrees. A low voltage, low quiescent current comparator is used to preserve the AAT sensors' ultra-low power and wide supply range. Inherent comparator hysteresis eliminates noise at the transition points. The TLV3691 comparator hysteresis of 17 mV corresponds to approximately 6 degrees of hysteresis with a 1.5 V supply. A TS881 or similar comparator has a typical hysteresis of 4 mV, corresponding to 1.5 angular degrees of hysteresis.

### Noise mitigation

High-impedance circuitry is inherently susceptible to noise. Common noise mitigation steps include:

- Power supply decoupling capacitors near the sensor (100 nF typical).
- Limiting the sensor output bandwidth to only what is needed. Because the sensor outputs are resistive, filter capacitors can be connected directly to the outputs. The sensor output impedances are half the bridge resistance, so the cutoff frequency is:

$$f_c = 1/(\pi R_B C)$$

where  $R_B$  is the bridge resistance and  $C$  is the output capacitance.

- Digital filtering or averaging in microcontroller systems.

### External comparator considerations

Low voltage, low quiescent current comparators are generally used to preserve the AAT sensors' ultra-low power and wide supply range.

Some hysteresis in external comparators is desirable to reduce noise and jitter at transition points. Too much hysteresis, however, may cause undesirable errors. Low-hysteresis comparators are especially important in low voltage applications, since hysteresis is a larger portion of the signals. Angular hysteresis relates to comparator hysteresis as follows:

$$\theta_H = \frac{(360/\pi)(V_{HC})}{(V_{CC})(V_{PP})}$$

Where:

- $\theta_H$  the angular hysteresis in degrees;
- $V_{HC}$  is the comparator's hysteresis;
- $V_{CC}$  is the sensor power supply; and
- $V_{PP}$  is the sensor's peak-to-peak sensitivity (typically 200 mV/V).

For example, MCP6542 comparators have hysteresis of 3.3 mV, corresponding to about 1 angular degree of hysteresis. TLV3691 or similar comparators have hysteresis of 17 mV, corresponding to approximately 6 degrees of hysteresis with a 1.5 V supply.

### Simple microcontroller interfaces

With their large output signals, AAT sensors can often interface directly to microcontrollers, even the 10-bit ADCs built into an inexpensive microcontroller such as an Atmel AVR<sup>®</sup>. Such microcontrollers are common in Arduino and other sensor interface boards:

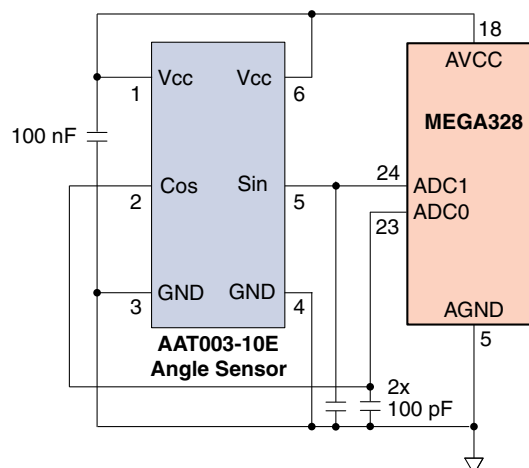


Figure 8. Typical direct microcontroller interface.





## AAT003 Low-Resistance Angle Sensor

The AAT003 has a 40 k $\Omega$  typical device resistance (20 k $\Omega$  output impedances), which is ideal for direct interface to many microcontrollers. The other, higher-resistance AAT versions generally require buffering between the sensor and microcontroller to avoid slow readings and loading the sensor output.

The indicated angle can be calculated as the inverse tangent of the ratio of the sine to cosine outputs. Alternatively, the inverse sine or cosine of one of the outputs could be used with correction for amplitude. Because the arctangent calculation is a ratio, it does not require scaling, and power supply and temperature variations cancel. Also, unlike single-variable *asin*, *acos*, and *atan* functions, a *two-variable* arctangent calculation provides a full 360-degree angle range without secondary corrections.

Here is an example for a full-bridge sensor:

```
angle = atan2(float
(analogRead(0) - analogRead(1)), float(analogRead(2) - analogRead(3))) * 180/pi;
```

And here is for a half-bridge sensor:

```
angle = atan2(float(analogRead(0) - 256), float(analogRead(1) - 256)) * 180/pi;
```

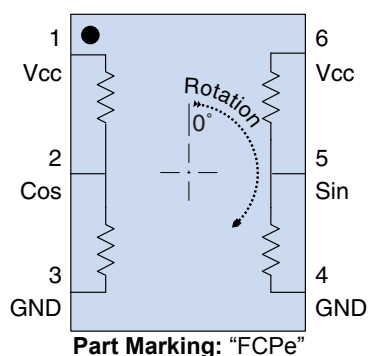
These program line reads the sensor outputs; subtracts the offset for the half-bridge sensors (typically half of full scale, or 256 for a 10-bit ADC); and converts from radians to degrees by multiplying by  $180/\pi$ .

A program line that allows amplitude and offset calibration using the minimum and maximum of each output through a complete rotation, is as follows:

```
angle = atan2(float(analogRead(0) - (cosmin+cosmax)) / (cosmax-cosmin),
float(analogRead(1) - (sinmin+sinmax)) / (sinmax-sinmin)) * 180/pi;
```

Of course, multipoint calibration is also possible to correct for subtle sensor and mechanical system nonlinearities and inaccuracies.

### Pinout



AAT00x Pin	Symbol	Description
1	$V_{CC-COS}$	Supply voltage (up to 5.5 V) for the Cos sensor elements.
2	Cos	Corresponds to the cosine of the rotation angle.
3	GND	Ground for the Cos sensor elements.
4	GND	Ground for the Sin sensor elements.
5	Sin	Corresponds to the sine of the rotation angle.
6	$V_{CC-SIN}$	Supply voltage for the Sin sensor elements.

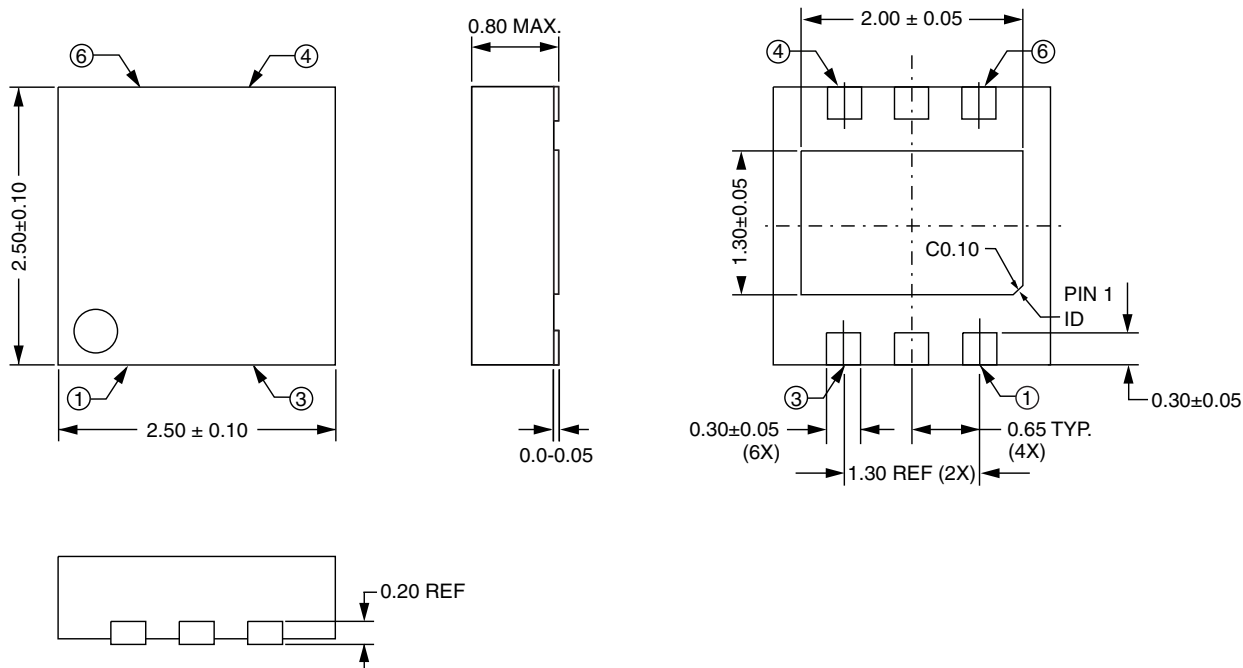
### Notes:

- Clockwise rotation as viewed from the top of the package is interpreted as increasing angle.
- The package center pad may be left floating or connected to ground.
- This product has been tested for electrostatic sensitivity to the limits stated in the specifications. However, NVE recommends that all integrated circuits be handled with appropriate care to avoid damage. Damage caused by inappropriate handling or storage could range from performance degradation to complete failure.



### AAT003 Low-Resistance Angle Sensor

#### 2.5 mm x 2.5 mm TDFN6 Package



**Notes:**

- Dimensions in millimeters.
- Soldering profile per JEDEC J-STD-020C, MSL 1.





## AAT003 Low-Resistance Angle Sensor

### Revision History

---

**April 2017**

**Changes**

- Clarified repeatability vs. accuracy (p. 2).
- Added nonsinusoidality specification (p. 2).

**November 2016**

**Changes**

- Split out AAT003 into separate datasheet.
- Revised applications section.



## AAT003 Low-Resistance Angle Sensor

### Datasheet Limitations

The information and data provided in datasheets shall define the specification of the product as agreed between NVE and its customer, unless NVE and customer have explicitly agreed otherwise in writing. All specifications are based on NVE test protocols. In no event however, shall an agreement be valid in which the NVE product is deemed to offer functions and qualities beyond those described in the datasheet.

### Limited Warranty and Liability

Information in this document is believed to be accurate and reliable. However, NVE does not give any representations or warranties, expressed or implied, as to the accuracy or completeness of such information and shall have no liability for the consequences of use of such information.

In no event shall NVE be liable for any indirect, incidental, punitive, special or consequential damages (including, without limitation, lost profits, lost savings, business interruption, costs related to the removal or replacement of any products or rework charges) whether or not such damages are based on tort (including negligence), warranty, breach of contract or any other legal theory.

### Right to Make Changes

NVE reserves the right to make changes to information published in this document including, without limitation, specifications and product descriptions at any time and without notice. This document supersedes and replaces all information supplied prior to its publication.

### Use in Life-Critical or Safety-Critical Applications

Unless NVE and a customer explicitly agree otherwise in writing, NVE products are not designed, authorized or warranted to be suitable for use in life support, life-critical or safety-critical devices or equipment. NVE accepts no liability for inclusion or use of NVE products in such applications and such inclusion or use is at the customer's own risk. Should the customer use NVE products for such application whether authorized by NVE or not, the customer shall indemnify and hold NVE harmless against all claims and damages.

### Applications

Applications described in this datasheet are illustrative only. NVE makes no representation or warranty that such applications will be suitable for the specified use without further testing or modification.

Customers are responsible for the design and operation of their applications and products using NVE products, and NVE accepts no liability for any assistance with applications or customer product design. It is customer's sole responsibility to determine whether the NVE product is suitable and fit for the customer's applications and products planned, as well as for the planned application and use of customer's third party customers. Customers should provide appropriate design and operating safeguards to minimize the risks associated with their applications and products.

NVE does not accept any liability related to any default, damage, costs or problem which is based on any weakness or default in the customer's applications or products, or the application or use by customer's third party customers. The customer is responsible for all necessary testing for the customer's applications and products using NVE products in order to avoid a default of the applications and the products or of the application or use by customer's third party customers. NVE accepts no liability in this respect.

### Limiting Values

Stress above one or more limiting values (as defined in the Absolute Maximum Ratings System of IEC 60134) will cause permanent damage to the device. Limiting values are stress ratings only and operation of the device at these or any other conditions above those given in the recommended operating conditions of the datasheet is not warranted. Constant or repeated exposure to limiting values will permanently and irreversibly affect the quality and reliability of the device.

### Terms and Conditions of Sale

In case an individual agreement is concluded only the terms and conditions of the respective agreement shall apply. NVE hereby expressly objects to applying the customer's general terms and conditions with regard to the purchase of NVE products by customer.

### No Offer to Sell or License

Nothing in this document may be interpreted or construed as an offer to sell products that is open for acceptance or the grant, conveyance or implication of any license under any copyrights, patents or other industrial or intellectual property rights.

### Export Control

This document as well as the items described herein may be subject to export control regulations. Export might require a prior authorization from national authorities.

### Automotive Qualified Products

Unless the datasheet expressly states that a specific NVE product is automotive qualified, the product is not suitable for automotive use. It is neither qualified nor tested in accordance with automotive testing or application requirements. NVE accepts no liability for inclusion or use of non-automotive qualified products in automotive equipment or applications.

In the event that customer uses the product for design-in and use in automotive applications to automotive specifications and standards, customer (a) shall use the product without NVE's warranty of the product for such automotive applications, use and specifications, and (b) whenever customer uses the product for automotive applications beyond NVE's specifications such use shall be solely at customer's own risk, and (c) customer fully indemnifies NVE for any liability, damages or failed product claims resulting from customer design and use of the product for automotive applications beyond NVE's standard warranty and NVE's product specifications.



## AAT003 Low-Resistance Angle Sensor

An ISO 9001 Certified Company

NVE Corporation  
11409 Valley View Road  
Eden Prairie, MN 55344-3617 USA  
Telephone: (952) 829-9217  
Fax: (952) 829-9189  
[www.nve.com](http://www.nve.com)  
e-mail: [sensor-info@nve.com](mailto:sensor-info@nve.com)

©NVE Corporation  
All rights are reserved. Reproduction in whole or in part is prohibited without the prior written consent of the copyright owner.

SB-00-056\_AAT003-10E

*April 2017*

Headquarter Switzerland:  
Pewatron AG  
Thurgauerstrasse 66  
CH-8050 Zurich  
Phone +41 44 877 35 00  
info@pewatron.com

Office Germany:  
Pewatron Deutschland GmbH  
Edisonstraße 16  
D-85716 Unterschleißheim  
Phone +49 89 374 288 87 00  
info.de@pewatron.com



**PEWATRON**  
SENSORS · POWER SOLUTIONS

## We are here for you. Addresses and Contacts.

---

### Sales Germany & Austria

**Geometrical sensors  
Other products**

Kurt Stritzelberger  
Phone +49 89 374 288 87 22  
kurt.stritzelberger@pewatron.com

**Pressure sensors  
Other products**

Gerhard Vetter  
Phone +49 89 374 288 87 26  
gerhard.vetter@pewatron.com

**Gas sensors and modules**

Peter Felder  
Phone +41 44 877 35 05  
peter.felder@pewatron.com

---

### Sales Switzerland & Liechtenstein

Postcode 3000 – 9999

Basil Frei  
Phone +41 44 877 35 18  
basil.frei@pewatron.com

Postcode 1000 – 2999

Christian Mohrenstecher  
Phone +41 76 444 57 93  
christian.mohrenstecher@pewatron.com

### Sales International Key Accounts

Peter Felder  
Phone +41 44 877 35 05  
peter.felder@pewatron.com

---

### Sales Other Countries / Product Management

**Pressure Sensors  
Load Cells**

Philipp Kistler  
Phone +41 44 877 35 03  
philipp.kistler@pewatron.com

**Gas sensors  
Gas sensor modules**

Dr. Thomas Clausen  
Phone +41 44 877 35 13  
thomas.clausen@pewatron.com

**Flow / Level / Medical products**

Dr. Adriano Pittarelli  
Phone +49 89 374 288 87 67  
adriano.pittarelli@pewatron.com

**Power supplies**

Sebastiano Leggio  
Phone +41 44 877 35 06  
sebastiano.leggio@pewatron.com

**Linear position sensors  
Angle sensors**

Eric Letsch  
Phone +41 44 877 35 14  
eric.letsch@pewatron.com

**Accelerometers  
Sensor elements**

Christoph Kleye  
Phone +49 89 374 288 87 61  
christoph.kleye@pewatron.com

**Drive technology**

CH Postcode 5000 – 9999 / DE

Roman Homa  
Phone +41 76 444 00 86  
roman.homa@pewatron.com

**Drive technology**

CH Postcode 1000 – 4999 / AT / IT / FR

Christian Mohrenstecher  
Phone +41 76 444 57 93  
christian.mohrenstecher@pewatron.com

Harald Thomas

Phone +49 89 374 288 87 23  
harald.thomas@pewatron.com