

DATE 1 October, 2013No. V-70001Messrs.

# SPECIFICATION

Model: AP2, AG2 Pressure SensorProject:Distributor:Reference:

A handwritten signature in black ink that reads 'Y. Uchiumi'.

Yoshiyuki Uchiumi, Application Engineer  
Sensor Department Fujikura Ltd.

## Fujikura Ltd.

---

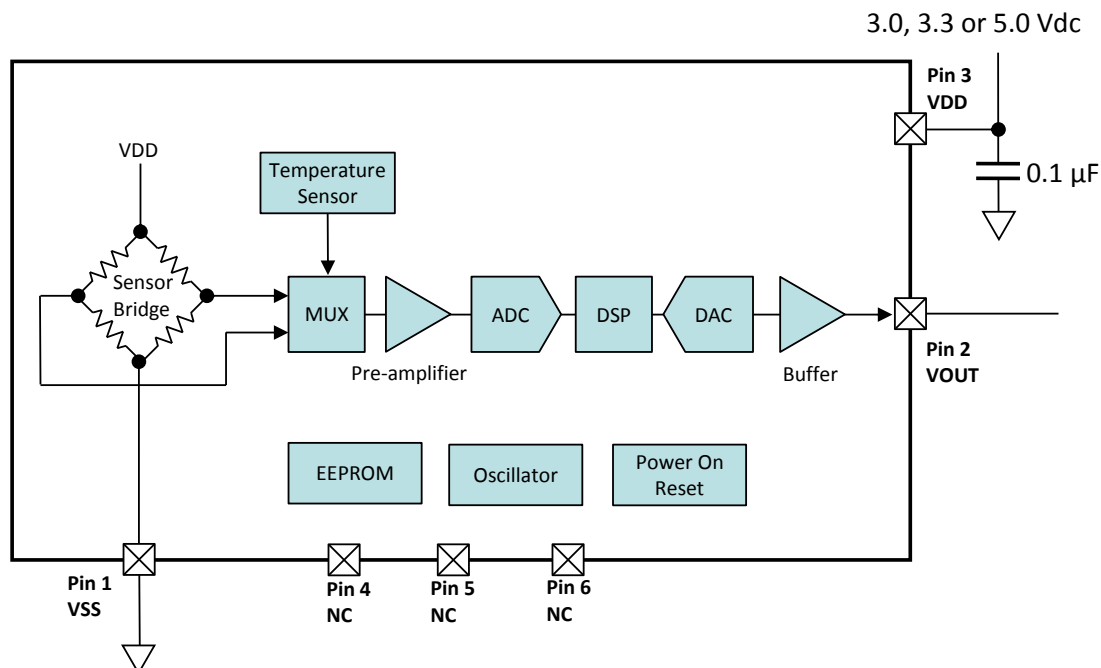
## Table of Contents

1. General.....	2
2. Principle.....	2
3. Device Lineup.....	2
4. RoHS .....	2
5. Block Diagram and Pin Connections.....	3
6. Device Name Code.....	4
7. Absolute Maximum Ratings.....	4
8. General Specifications .....	5
9. Pressure Range .....	5
10. Electrical Characteristics .....	6
11. Output versus Input Pressure.....	8
12. Transfer Function .....	9
13. Device Marking .....	10
14. Soldering.....	11
15. Dimensions and Weights.....	11
16. Ordering Information.....	12
17. Tape & Reel Information.....	12
18. Footprint for PCB (for Reference).....	13
19. Notes.....	14
Appendix: Dimension Drawing .....	15
9-772-001 APxxN .....	15
9-772-002 APxxR .....	16
9-772-003 AGxx3 .....	17
9-772-004 AGxx6 .....	18

---



## 5. Block Diagram and Pin Connections



Pin Assignment		Pin No.	Pin Name	I/O	Type	Function
AP2	AG2					
		1	VSS	-	-	Common voltage connection
		2	VOUT	O	Analog	Analog output
		3	VDD	-	-	Power supply connection
		4	NC	-	-	-
		5	NC	-	-	-
		6	NC	-	-	-

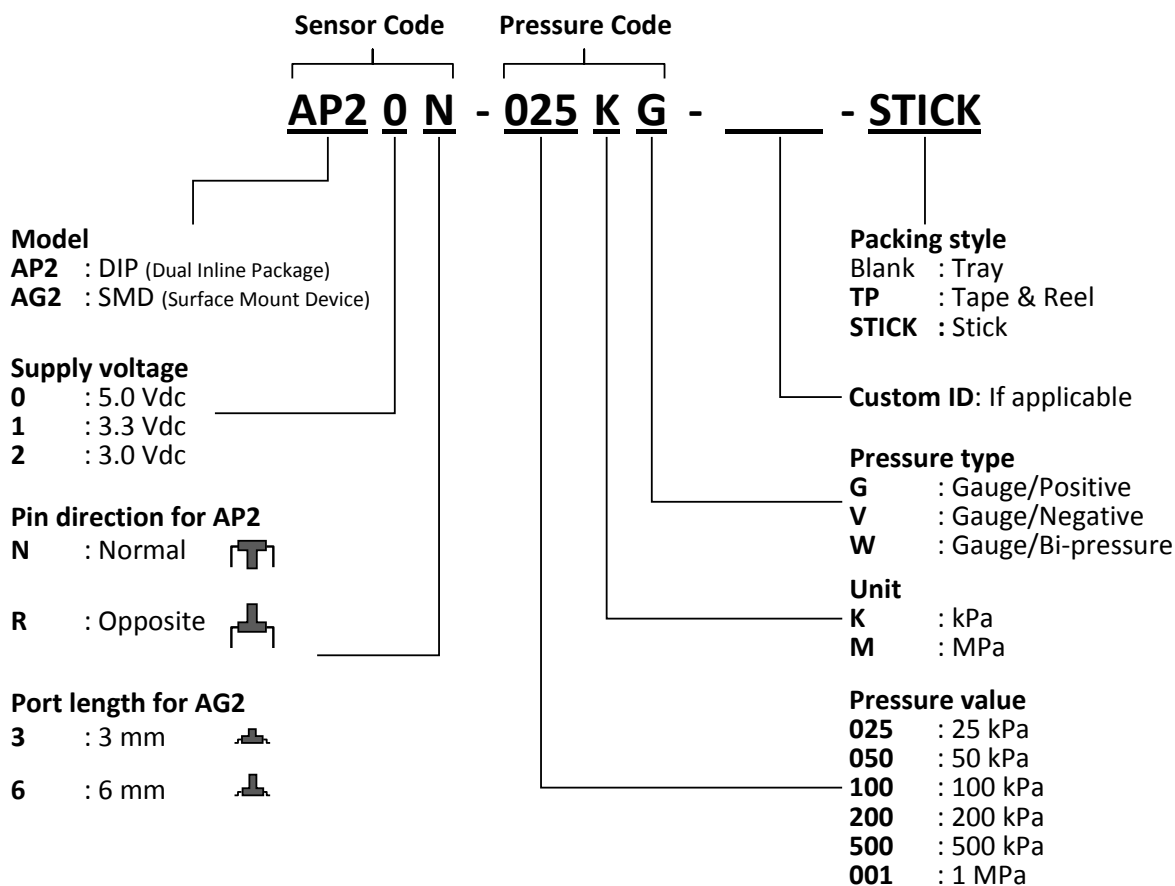
\*1  
\*2  
\*2  
\*2

### Notes:

- \*1) Put a 0.1  $\mu$ F capacitor between VDD Pin 3 and VSS Pin 1.
- \*2) Pin 4, 5 and 6 must be open.

## 6. Device Name Code

The device name code is consisted of Sensor code, Pressure code, Custom ID and Packing style. For the exact ordering device number, please refer to Chapter 16 Ordering Information.



## 7. Absolute Maximum Ratings

Item	Symbol	Rating	Unit	
Load Pressure	Pressure Code Pmax+	025KG	+50	kPa
		050KG	+100	kPa
		100KG	+200	kPa
		200KG	+400	kPa
		500KG	+1	MPa
		001MG	+1.5	MPa
		50KV	+100	kPa
		100KV	+200	kPa
		100KW	+200	kPa
Supply Voltage	VDDmax	6	Vdc	
Operating Temperature	Topt	-40 to +125	deg. C	
Storage Temperature	Tstg	-40 to +125	deg. C	

Note:

\*1) Absolute maximum ratings are the limits that the device will withstand without damage.

## 8. General Specifications

Item	Sensor Code		AP20x AG20x	AP21x AG21x	AP22x AG22x	Unit
	Symbol					
Supply Voltage	VDD		5.0±0.25	3.3±0.165	3.0±0.15	Vdc
Type of Pressure	-	Gauge pressure				
Pressure Media	-	Non-corrosive gases				
Pressure Range	Popt	Refer to Chapter 9				
Compensated Temperature	-	0 to +85				deg. C
Operating Humidity	Hopt	30 to 85 (non-condensing)				%RH
Storage Humidity	Hstg	30 to 85 (non-condensing)				%RH
Dielectric Strength		Leakage current 1mA maximum, AC 500 V, 1 minute				
Insulation Resistance		100 MΩ minimum (DC 500 V)				

Notes:

- \*1) Output voltage (Vout) is not perfectly ratio-metric with Supply voltage (VDD).
- \*2) Gauge pressure is defined as the difference between the pressure applied to the pressure port and an atmospheric pressure of the device.
- \*3) Ensure the pressure media contains no particulates. The device is not compatible with liquids.
- \*4) Please also refer to Chapter 12 Transfer Function.
- \*5) Do not wet the device with dew.
- \*6) Dielectric strength is defined as the leakage current between all pins and the package with AC 500 V, 1 minute.
- \*7) Insulation resistance is defined as the resistance value between all pins and the package with DC 500 V.

## 9. Pressure Range

Pressure Code	Symbol	Pressure Range *1			Unit
		Min.	Typ.	Max.	
025KG	Popt	0	-	+25	kPa
050KG		0	-	+50	kPa
100KG		0	-	+100	kPa
200KG		0	-	+200	kPa
500KG		0	-	+500	kPa
001MG		0	-	+1	MPa
050KV		-50	-	0	kPa
100KV		-100	-	0	kPa
100KW		-100	-	+100	kPa

Note:

- \*1) Pressure range is defined as the measurable pressure range of the device. Do not expose intentionally beyond minimum Popt and maximum Popt.

## 10. Electrical Characteristics

Load resistor  $R_L = \infty$ , Ambient temperature  $T_a = 25$  deg. C

Item	Condition	Symbol	Rating			Unit	
			Min.	Typ.	Max.		
<b>Sensor Code: AP20x, AG20x (VDD = 5.0 Vdc)</b>							
Offset Voltage	Min. Popt, 050KV & 100KV: Max. Popt	Voff	0.1325	0.2	0.2675	V	*1, 2
Full Scale Voltage	Max. Popt, 050KV & 100KV: Min. Popt	Vfs	4.6325	4.7	4.7675	V	*3
Span Voltage	Min. to max. Popt	SV	-	4.5	-	V	*4
Accuracy	0 to 85 deg. C	Error	-1.5	-	+1.5	%FS	*5, 6
			-0.0675	-	+0.0675	V	
Output Resolution		Vrso	-	2.5	-	mV	*7
Supply Current		Ic	-	-	3	mAdc	*8
<b>Sensor Code: AP21x, AG21x (VDD = 3.3 Vdc)</b>							
Offset Voltage	Min. Popt, 050KV & 100KV: Max. Popt	Voff	0.2595	0.3	0.3405	V	*1, 2
Full Scale Voltage	Max. Popt, 050KV & 100KV: Min. Popt	Vfs	2.9595	3.0	3.0405	V	*3
Span Voltage	Min. to max. Popt	SV	-	2.7	-	V	*4
Accuracy	0 to 85 deg. C	Error	-1.5	-	+1.5	%FS	*5, 6
			-0.0405	-	+0.0405	V	
Output Resolution		Vrso	-	1.7	-	mV	*7
Supply Current		Ic	-	-	2	mAdc	*8
<b>Sensor Code: AP22x, AG22x (VDD = 3.0 Vdc)</b>							
Offset Voltage	Min. Popt, 050KV & 100KV: Max. Popt	Voff	0.096	0.15	0.204	V	*1, 2
Full Scale Voltage	Max. Popt, 050KV & 100KV: Min. Popt	Vfs	2.796	2.85	2.904	V	*3
Span Voltage	Min. to max. Popt	SV	-	2.7	-	V	*4
Accuracy	0 to 85 deg. C	Error	-2.0	-	+2.0	%FS	*5, 6
			-0.054	-	+0.054	V	
Output Resolution		Vrso	-	1.5	-	mV	*7
Supply Current		Ic	-	-	2	mAdc	*8
Response Time	for reference	tr	-	1	-	msec.	*9
Sampling Frequency		fs	-	1	-	kHz	*10
Load Resistor	VOUT - VSS or VDD - VOUT	RL	2.5	-	-	k $\Omega$	*8
Load Capacitance	VOUT - VSS	CL	-	-	15	nF	*11

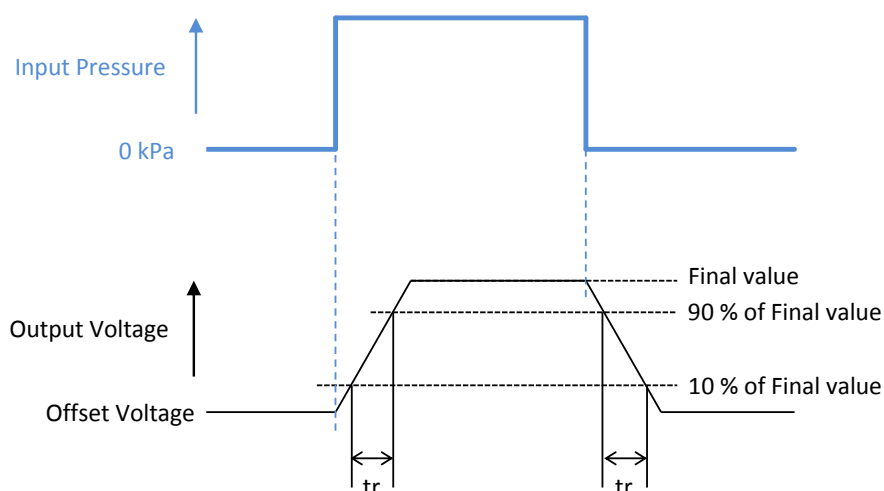
Notes;

- \*1) Offset voltage (Voff) is defined as the output voltage at minimum Popt. In case of 100KV, Offset voltage (Voff) is defined as the output voltage of maximum Popt.
- \*2) Offset error is calibration error of Offset voltage (Voff) at production. It does not include Long term offset drift. It would be suggested that applications have Auto-zeroing function.
- \*3) Full scale voltage (Vfs) is defined as the output voltage at maximum Popt. In case of 100KV, Full scale voltage (Vfs) is defined as the output voltage of minimum Popt.
- \*4) Output span voltage (SV) is defined as the voltage difference between Offset voltage (Voff) and Full scale voltage (Vfs).

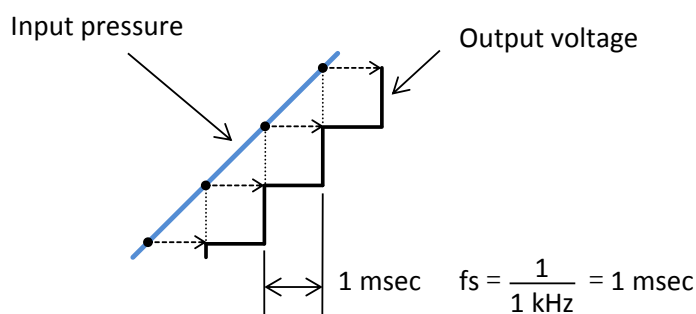
- \*5) Accuracy consists of the following:  
 Non-linearity  
 Temperature errors over the temperature range 0 to 85 degree C  
 Pressure hysteresis  
 Calibration errors of sensitivity and offset
- \*6) The unit of Accuracy “%FS” is defined as a percent error by Span voltage (SV).
- \*7) Output voltage (Vout) is generated by the internal digital to analog converter. Therefore the output voltage has Output resolution (Vrso). Resolution in pressure is calculated as below:

$$\text{Pressure resolution} = \frac{V_{rso}}{SV} \times \text{Pressure range (Min. to Max.)}$$

- \*8) Supply Current (Ic) is increased depending on the value of Load resistor (RL).
- \*9) Response time (tr) is defined as the time for the change in Output voltage (Vout) from 10 % to 90 % or from 90 % to 10 % of its final value when the input pressure makes a step change.



- \*10) Output voltage (Vout) is sampled and held by the internal sampling / hold block. Sampling frequency (fs) is 1 kHz. The output voltage is changed stepwise every approximately 1 millisecond.



- \*11) Do not directly connect Load capacitance (CL) that is over 15 nF to VOUT.



### 11. Output versus Input Pressure

Sensor Code	Pressure Code			
	025KG, 050KG, 100KG, 200KG, 500KG, 001MG	050KV, 100KV	100KW	
AP20x AG20x	<p>VDD = 5.0 Vdc Temp. = 0 to 85°C</p> <p>Output vs Input Pressure graph for AP20x AG20x at VDD = 5.0 Vdc. The graph shows a linear relationship between input pressure and output voltage. The full-scale output (Vfs) is 4.7 V and the full-scale input (Voff) is 0.2 V. The error is ±1.5%FS and the sensitivity (SV) is 4.5 V. The minimum pressure (Min. Popt) is 0 kPa and the maximum pressure (Max. Popt) is 25, 50, 100, 200 kPa, 1 MPa.</p>	<p>VDD = 5.0 Vdc Temp. = 0 to 85°C</p> <p>Output vs Input Pressure graph for AP20x AG20x at VDD = 5.0 Vdc. The graph shows a linear relationship between input pressure and output voltage. The full-scale output (Vfs) is 4.7 V and the full-scale input (Voff) is 0.2 V. The error is ±1.5%FS and the sensitivity (SV) is 4.5 V. The minimum pressure (Min. Popt) is -100 kPa and the maximum pressure (Max. Popt) is 0 kPa.</p>	<p>VDD = 5.0 Vdc Temp. = 0 to 85°C</p> <p>Output vs Input Pressure graph for AP20x AG20x at VDD = 5.0 Vdc. The graph shows a linear relationship between input pressure and output voltage. The full-scale output (Vfs) is 4.7 V and the full-scale input (Voff) is 0.2 V. The error is ±1.5%FS and the sensitivity (SV) is 4.5 V. The minimum pressure (Min. Popt) is -100 kPa and the maximum pressure (Max. Popt) is +100 kPa.</p>	
	AP21x AG21x	<p>VDD = 3.3 Vdc Temp. = 0 to 85°C</p> <p>Output vs Input Pressure graph for AP21x AG21x at VDD = 3.3 Vdc. The graph shows a linear relationship between input pressure and output voltage. The full-scale output (Vfs) is 3.0 V and the full-scale input (Voff) is 0.3 V. The error is ±1.5%FS and the sensitivity (SV) is 2.7 V. The minimum pressure (Min. Popt) is 0 kPa and the maximum pressure (Max. Popt) is 25, 50, 100, 200 kPa, 1 MPa.</p>	<p>VDD = 3.3 Vdc Temp. = 0 to 85°C</p> <p>Output vs Input Pressure graph for AP21x AG21x at VDD = 3.3 Vdc. The graph shows a linear relationship between input pressure and output voltage. The full-scale output (Vfs) is 3.0 V and the full-scale input (Voff) is 0.3 V. The error is ±1.5%FS and the sensitivity (SV) is 2.7 V. The minimum pressure (Min. Popt) is -100 kPa and the maximum pressure (Max. Popt) is 0 kPa.</p>	<p>VDD = 3.3 Vdc Temp. = 0 to 85°C</p> <p>Output vs Input Pressure graph for AP21x AG21x at VDD = 3.3 Vdc. The graph shows a linear relationship between input pressure and output voltage. The full-scale output (Vfs) is 3.0 V and the full-scale input (Voff) is 0.3 V. The error is ±1.5%FS and the sensitivity (SV) is 2.7 V. The minimum pressure (Min. Popt) is -100 kPa and the maximum pressure (Max. Popt) is +100 kPa.</p>
		AP22x AG22x	<p>VDD = 3.0 Vdc Temp. = 0 to 85°C</p> <p>Output vs Input Pressure graph for AP22x AG22x at VDD = 3.0 Vdc. The graph shows a linear relationship between input pressure and output voltage. The full-scale output (Vfs) is 2.85 V and the full-scale input (Voff) is 0.15 V. The error is ±2.0%FS and the sensitivity (SV) is 2.7 V. The minimum pressure (Min. Popt) is 0 kPa and the maximum pressure (Max. Popt) is 25, 50, 100, 200 kPa, 1 MPa.</p>	<p>VDD = 3.0 Vdc Temp. = 0 to 85°C</p> <p>Output vs Input Pressure graph for AP22x AG22x at VDD = 3.0 Vdc. The graph shows a linear relationship between input pressure and output voltage. The full-scale output (Vfs) is 2.85 V and the full-scale input (Voff) is 0.15 V. The error is ±2.0%FS and the sensitivity (SV) is 2.7 V. The minimum pressure (Min. Popt) is -100 kPa and the maximum pressure (Max. Popt) is 0 kPa.</p>

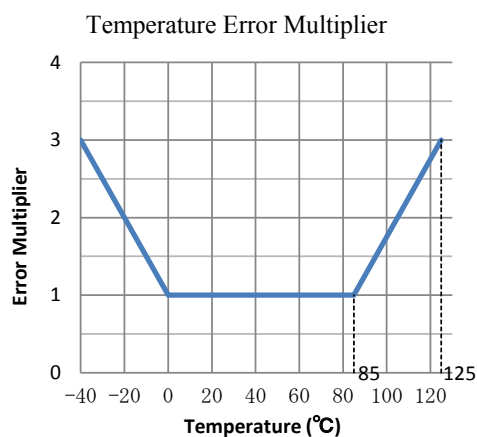
## 12. Transfer Function

$$V_{out} = VDD \times ((P \times \alpha) + \beta) \pm (\text{Pressure Error} \times \text{Temperature Error Multiplier} \times \alpha \times VDD)$$

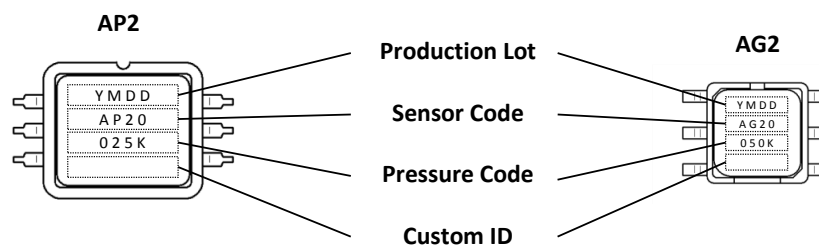
### Parameters

Sensor Code	Parameter		VDD (*1)	P (kPa)	$\alpha$	$\beta$	Pressure Error (kPa)
		Pressure Code					
AP20x AG20x		025KG	5.0±0.25 V	0 ~ +25	9/250	1/25	0.375
		050KG		0 ~ +50	9/500	1/25	0.75
		100KG		0 ~ +100	9/1000	1/25	1.5
		200KG		0 ~ +200	9/2000	1/25	3.0
		500KG		0 ~ +500	9/5000	1/25	7.5
		001MG		0 ~ +1000	9/10000	1/25	15
		050KV		-50 ~ 0	-9/500	1/25	0.75
		100KV		-100 ~ 0	-9/1000	1/25	1.5
		100KW		-100 ~ +100	9/2000	49/100	3.0
AP21x AG21x		025KG	3.3±0.165 V	0 ~ +25	297/9075	1/11	0.375
		050KG		0 ~ +50	297/18150	1/11	0.75
		100KG		0 ~ +100	297/36300	1/11	1.5
		200KG		0 ~ +200	297/72600	1/11	3.0
		500KG		0 ~ +500	297/181500	1/11	7.5
		001MG		0 ~ +1000	297/363000	1/11	15
		050KV		-50 ~ 0	-297/18150	1/11	0.75
		100KV		-100 ~ 0	-297/36300	1/11	1.5
		100KW		-100 ~ +100	27/6600	1/2	3.0
AP22x AG22x		025KG	3.0±0.15 V	0 ~ +25	9/250	1/20	0.5
		050KG		0 ~ +50	9/500	1/20	1
		100KG		0 ~ +100	9/1000	1/20	2
		200KG		0 ~ +200	9/2000	1/20	4
		500KG		0 ~ +500	9/5000	1/20	10
		001MG		0 ~ +1000	9/10000	1/20	20
		050KV		-50 ~ 0	-9/500	1/20	1
		100KV		-100 ~ 0	-9/1000	1/20	2
		100KW		-100 ~ +100	9/2000	1/2	4

\*1) Output voltage ( $V_{out}$ ) is not perfectly ratio-metric with the supply voltage (VDD).



### 13. Device Marking



Items		Marking
Production Lot		
Y	Last digit of Production year	0~9
M	Production month	1, 2, 3 ~ 8, 9, X=Oct., Y=Nov., Z=Dec.
DD	Production date	01~31
Sensor Code		
	AP20x	AP20
	AP21x	AP21
	AP22x	AP22
	AG20x	AG20
	AG21x	AG21
	AG22x	AG22
Pressure Code		
	025KG	025K
	050KG	050K
	100KG	100K
	200KG	200K
	500KG	500K
	001MG	001M
	050KV	050V
	100KV	100V
	100KW	100W
Custom ID		If applicable

\*1

\*2

Notes:

\*1) Pin direction for AP2 or Port length for AG2 is not marked on the face plate.

\*2) Custom ID will be added when a product is customized for a customer.

## 14. Soldering

Process	Sensor code	Condition																		
Hand Soldering	AP2xx	Soldering iron temperature: 350 deg. C max. Soldering time: 3 seconds max.																		
Wave Soldering	AP2xR	Soldering bath temperature: 260 deg. C max. Soldering time: 5 seconds max.																		
Reflow Soldering	AG2xx	<p style="text-align: center;"><b>Soldering Profile</b></p> <table border="1" style="margin-top: 10px;"> <thead> <tr> <th></th> <th></th> <th></th> </tr> </thead> <tbody> <tr> <td>A</td> <td>Ramp up</td> <td>2 to 4 deg. C / sec.</td> </tr> <tr> <td>B</td> <td>Pre-heating</td> <td>150 to 180 deg. C 60 to 120 sec.</td> </tr> <tr> <td>C</td> <td>Ramp up</td> <td>2 to 4 deg. C / sec.</td> </tr> <tr> <td>D</td> <td>Heating</td> <td>Above 230 deg. C, 45 sec. max. 245 deg. C max., 10 sec. max.</td> </tr> <tr> <td>E</td> <td>Ramp down</td> <td>2 to 4 deg. C / sec.</td> </tr> </tbody> </table>				A	Ramp up	2 to 4 deg. C / sec.	B	Pre-heating	150 to 180 deg. C 60 to 120 sec.	C	Ramp up	2 to 4 deg. C / sec.	D	Heating	Above 230 deg. C, 45 sec. max. 245 deg. C max., 10 sec. max.	E	Ramp down	2 to 4 deg. C / sec.
A	Ramp up	2 to 4 deg. C / sec.																		
B	Pre-heating	150 to 180 deg. C 60 to 120 sec.																		
C	Ramp up	2 to 4 deg. C / sec.																		
D	Heating	Above 230 deg. C, 45 sec. max. 245 deg. C max., 10 sec. max.																		
E	Ramp down	2 to 4 deg. C / sec.																		

\*1, 2

\*1, 2

\*1, 2,  
3, 4

### Notes:

- \*1) NEVER wash the device with any washing liquid. NEVER wash the device with any ultrasonic washing machine.
- \*2) Do not put the solder and flux on the device's package.
- \*3) Temperature means Surface temperature of the device's package.
- \*4) Reflow soldering is within two times.

## 15. Dimensions and Weights

Refer to the following drawing as attached.

Sensor Code	Dimension Drawing	Weight
AP2xN	9-772-001	approx. 1.4 grams
AP2xR	9-772-002	
AG2x3	9-772-003	approx. 0.3 grams
AG2x6	9-772-004	approx. 0.4 grams

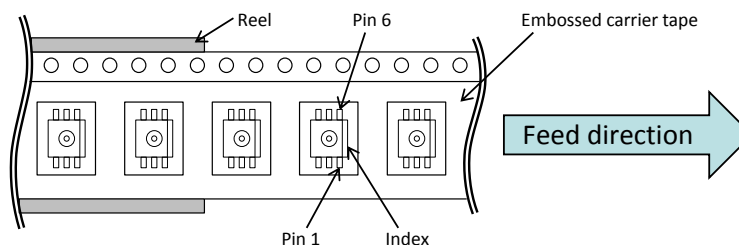
### 16. Ordering Information

Model	Package	Supply Voltage	Pin Direction	Packing	Ordering Device Number	Qty./Packing	
AP2	DIP	5.0 Vdc	Normal	Tray	AP20N- [Pressure Code]	150 Pcs/Tray	
				Stick	AP20N- [Pressure Code] -STICK	40 Pcs/Stick	
			Opposite	Tray	AP20R- [Pressure Code]	150 Pcs/Tray	
				Stick	AP20R- [Pressure Code] -STICK	40 Pcs/Stick	
			3.3 Vdc	Normal	Tray	AP21N- [Pressure Code]	150 Pcs/Tray
					Stick	AP21N- [Pressure Code] -STICK	40 Pcs/Stick
		Opposite	Tray	AP21R- [Pressure Code]	150 Pcs/Tray		
			Stick	AP21R- [Pressure Code] -STICK	40 Pcs/Stick		
		3.0 Vdc	Normal	Tray	AP22N- [Pressure Code]	150 Pcs/Tray	
				Stick	AP22N- [Pressure Code] -STICK	40 Pcs/Stick	
			Opposite	Tray	AP22R- [Pressure Code]	150 Pcs/Tray	
				Stick	AP22R- [Pressure Code] -STICK	40 Pcs/Stick	
			Port Length				
AG2	SMD		5.0 Vdc	3 mm	Tray	AG203- [Pressure Code]	300 Pcs/Tray
		Tape & Reel			AG203- [Pressure Code] -TP	500 Pcs/Reel	
		6 mm		Tray	AG206- [Pressure Code]	300 Pcs/Tray	
				Tape & Reel	AG206- [Pressure Code] -TP	500 Pcs/Reel	
		3.3 Vdc		3 mm	Tray	AG213- [Pressure Code]	300 Pcs/Tray
					Tape & Reel	AG213- [Pressure Code] -TP	500 Pcs/Reel
			6 mm	Tray	AG216- [Pressure Code]	300 Pcs/Tray	
				Tape & Reel	AG216- [Pressure Code] -TP	500 Pcs/Reel	
		3.0 Vdc	3 mm	Tray	AG223- [Pressure Code]	300 Pcs/Tray	
				Tape & Reel	AG223- [Pressure Code] -TP	500 Pcs/Reel	
			6 mm	Tray	AG226- [Pressure Code]	300 Pcs/Tray	
				Tape & Reel	AG226- [Pressure Code] -TP	500 Pcs/Reel	



Pressure Range	Pressure Code
0 ~ +25 kPa	025KG
0 ~ +50 kPa	050KG
0 ~ +100 kPa	100KG
0 ~ +200 kPa	200KG
0 ~ +500 kPa	500KG
0 ~ +1 MPa	001MG
-50 ~ 0 kPa	050KV
-100 ~ 0 kPa	100KV
-100 ~ +100 kPa	100KW

### 17. Tape & Reel Information



### 18. Footprint for PCB (for Reference)

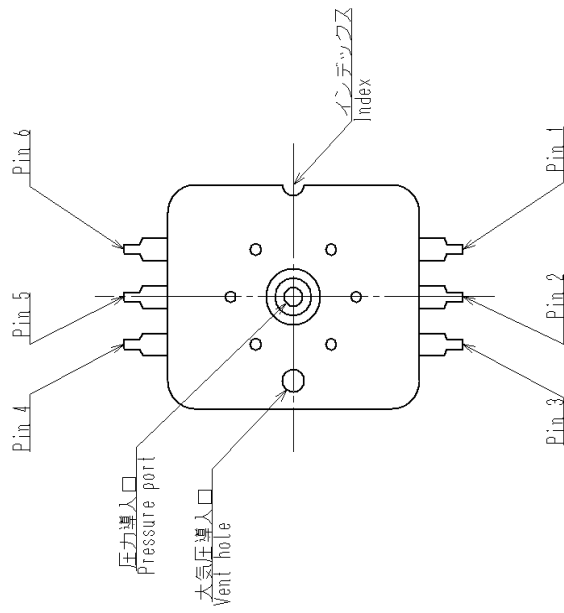
Sensor Code	Footprint
AP2xN	
AP2xR	
AG2x3	
AG2x6	

**Notes:**

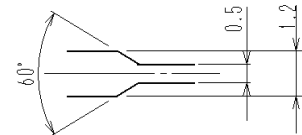
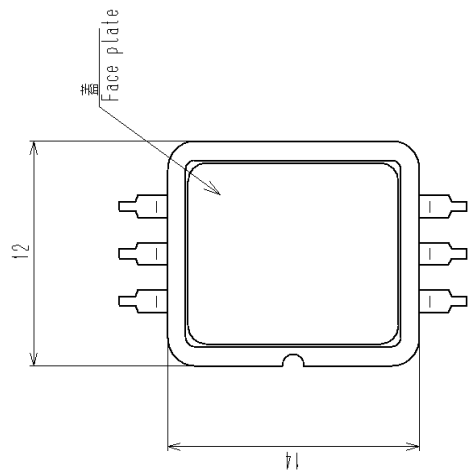
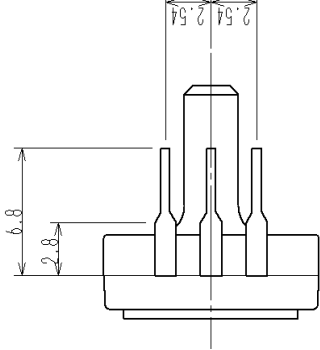
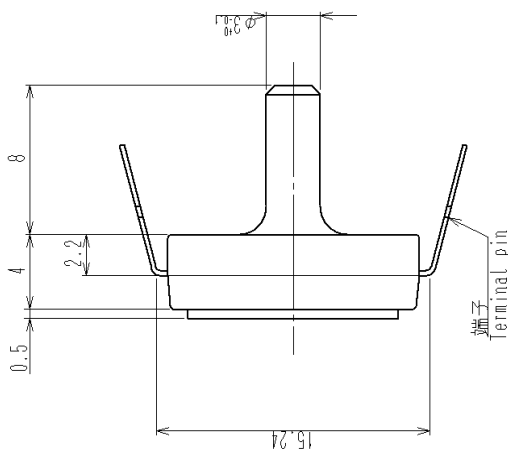
- \*1) These footprints are for reference. Please evaluate well these footprints, before your mass production.
- \*2) When designing your PCB, please also refer to the outline diagrams.

**19. Notes**

- Fujikura reserves all rights.
- This document has a possibility to be changed without notice.
- Limitation, usage, environment, standard warranty and so on are listed on Fujikura web site.
- Please refer to the latest specifications.



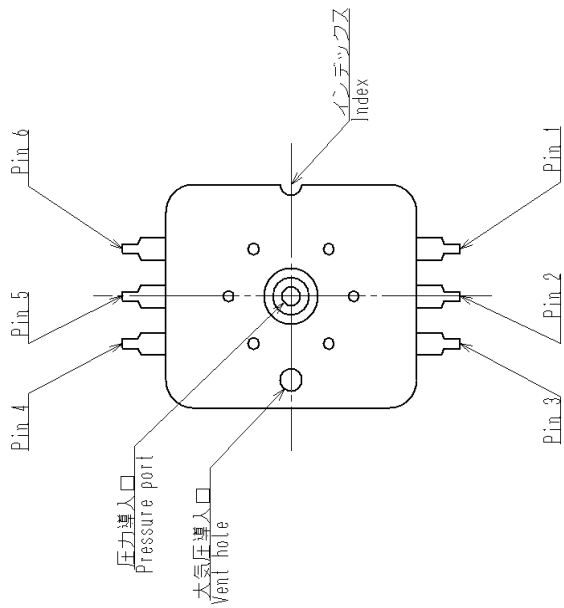
Unless otherwise specified, tolerance:  $\pm 0.1\text{mm}$



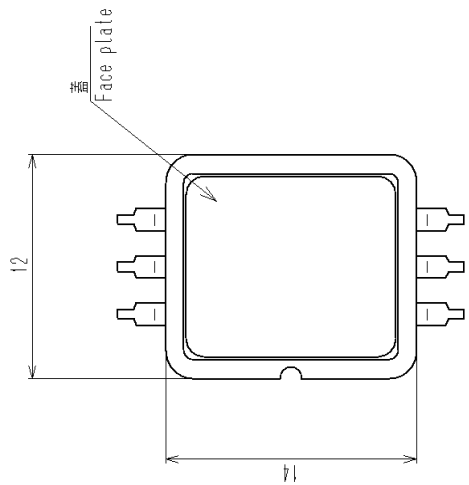
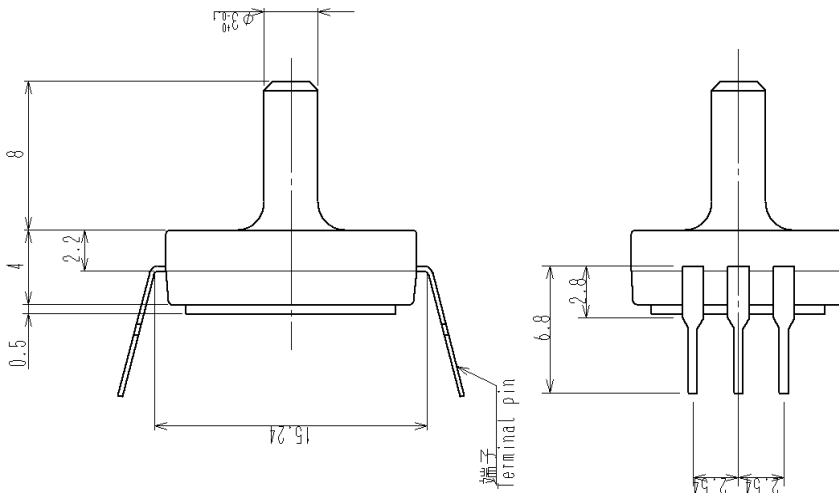
PART NO.	部品名	材質	個数	備考
PROJECT NAME:				
名称TITLE				
APxxN series				
Outline diagram				
図面番号DRAWING NO.				
9-772-001				
REV. MARK				
◇				

MARK	変更 REVISIONS	年月日
		DATE
◇		



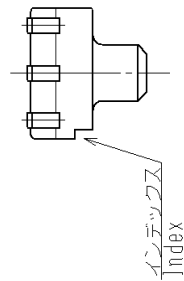
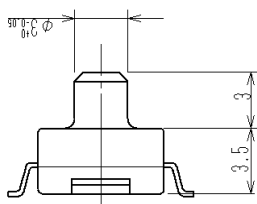
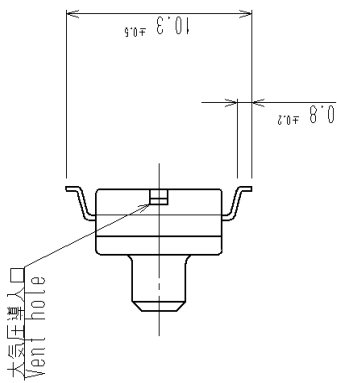
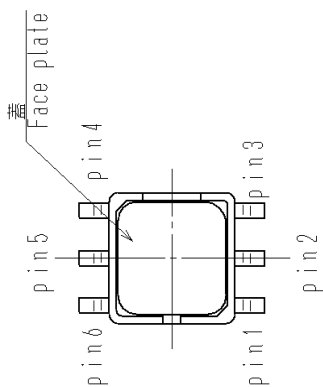
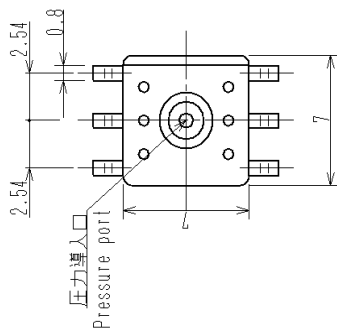


Unless otherwise specified, tolerance: +/-0.1mm



PART NO.	部品名	材質	図数	概要
NAME OF PART	MAT'L QTY.	REMARKS		
PROJECT NAME:				
名称TITLE				
APxxR series				
Outline diagram				
第3角法 30度角 単位UNITS mm				
尺変SCALE Free				
DATE OF ISSUE Oct/1/2013	図面番号DRAWING NO. 9-772-002			REV. MARK ◇

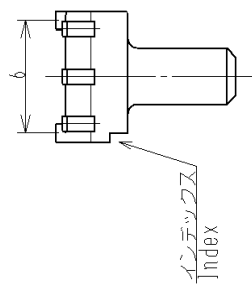
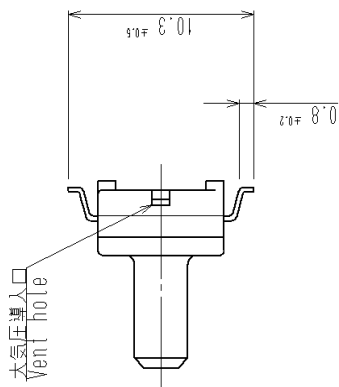
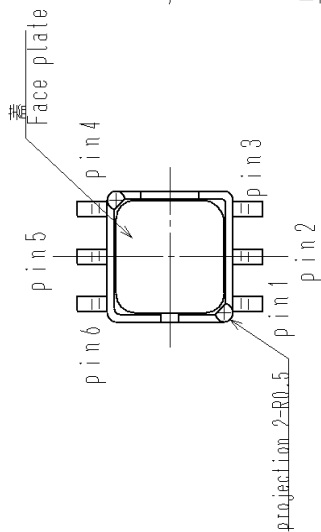
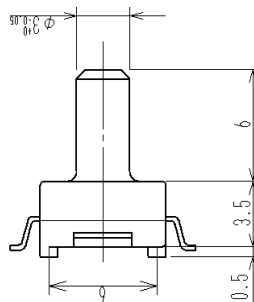
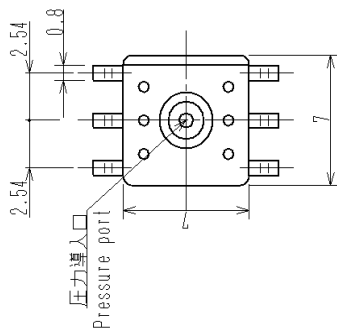
MARK	変更	REVISIONS	年月日 DATE
◇			



Unless otherwise specified, tolerance:  $\pm 0.1\text{mm}$

PART NO.	部品名	材質	個数	備考
PROJECT NAME:				
名称TITLE				
AGxx3 series				
Outline diagram				
第3角法 DIMENSIONS				
単位UNITS mm				
尺度SCALE Free				
DATE OF ISSUE	図面番号DRAWING NO.			REV. MARK
0c1/1/2013	9-772-003			◇

MARK	変更 REVISIONS	年月日
		DATE



Unless otherwise specified, tolerance:  $\pm 0.1\text{mm}$

PART NO.	部品名	材質	個数	備考
NAME OF PART	MAT'L	QTY	REMARKS	
PROJECT NAME:				
名称TITLE				
AGxx6 series				
Outline diagram				
図面番号DRAWING NO.				
9-772-004				
REV. MARK				
◇				

第3角法 JIS B 3040
単位UNITS mm
尺度SCALE Free
DATE OF ISSUE 0ct/1/2013

◇	変更 REVISIONS	年月日
		DATE

Headquarter Switzerland:  
Pewatron AG  
Thurgauerstrasse 66  
CH-8052 Zurich  
Phone +41 44 877 35 00  
info@pewatron.com

Office Germany:  
Pewatron AG  
Neumarkter Straße 86a  
D-81673 Munich  
Phone +49 89 260 38 47  
infode@pewatron.com



**PEWATRON**  
SENSORS · POWER SUPPLIES

## We are here for you. Addresses and Contacts.

### Sales Switzerland & Liechtenstein

Postcode 3000 – 9999

Basil Frei  
Pewatron AG  
Thurgauerstrasse 66  
CH-8052 Zurich

Phone +41 44 877 35 18  
Mobile +41 76 279 37 26

basil.frei@pewatron.com

Postcode 1000 – 2999

Eric Letsch  
Pewatron AG  
Thurgauerstrasse 66  
CH-8052 Zurich

Phone +41 44 877 35 14  
Mobile +41 76 491 66 70

eric.letsch@pewatron.com

### Sales International Key Accounts

Peter Felder  
Pewatron AG  
Thurgauerstrasse 66  
CH-8052 Zurich

Phone +41 44 877 35 05  
Mobile +41 79 406 49 83

peter.felder@pewatron.com

### Sales Germany

Postcode 00000 – 31999  
Postcode 38000 – 39999  
Postcode 80000 – 99999

Kurt Stritzelberger  
Pewatron AG  
Neumarkter Straße 86a  
D-81673 Munich

Phone +49 89 260 52 80  
Mobile +49 171 803 41 35

kurt.stritzelberger@pewatron.com

Postcode 32000 – 37999  
Postcode 40000 – 79999

Gerhard Vetter  
Pewatron AG  
Fürstenbergstraße 12  
D-55422 Bacharach-Medenscheid

Phone +49 674 394 75 75  
Mobile +49 163 762 74 30

gerhard.vetter@pewatron.com

### Sales Austria

Kurt Stritzelberger  
Pewatron AG  
Neumarkter Straße 86a  
D-81673 Munich

Phone +49 89 260 52 80  
Mobile +49 171 803 41 35

kurt.stritzelberger@pewatron.com

### Sales Other Countries / Product Management

#### Pressure sensors

Philipp Kistler  
Phone +41 44 877 35 03  
philipp.kistler@pewatron.com

#### Accelerometers

Eric Letsch  
Phone +41 44 877 35 14  
eric.letsch@pewatron.com

#### Gas sensors / Gas sensor modules Load cells

Thomas Clausen  
Phone +41 44 877 35 13  
thomas.clausen@pewatron.com

#### Power supplies

Sebastiano Leggio  
Phone +41 44 877 35 06  
sebastiano.leggio@pewatron.com

#### Linear position sensors Angle sensors

Eric Letsch  
Phone +41 44 877 35 14  
eric.letsch@pewatron.com

#### Current sensors

Sebastiano Leggio  
Phone +41 44 877 35 06  
sebastiano.leggio@pewatron.com